



INTERPUMP GROUP

66

S E R I E S

I
GB
F

ISTRUZIONI D'USO
INSTRUCTIONS FOR USE
MODE D'EMPLOI

D
E
P

BEDIENUNGSANLEITUNG
INSTRUCCIONES DE USO
INSTRUÇÕES DE USO




Questo manuale deve essere letto e compreso in accordo al libretto generico "Istruzioni d'uso e manutenzione".
 This manual must be read and followed in accordance with the generic "Instructions for Use and Maintenance" booklet.
 Ce manuel doit être lu et compris en accord avec la notice générale " Mode d'emploi et d'entretien ".
 Dieses Handbuch ist in Verbindung mit dem allgemeinen Handbuch " Gebrauchs- und Wartungsanleitung " zu lesen und zu verstehen.
 Este manual debe leerse y comprenderse de acuerdo con el manual general "Instrucciones de uso y mantenimiento"
 Este manual deve ser lido e interpretado de acordo com o livro genérico "Instruções de uso e manutenção"

Type Type Type Tipo	Flow rate Débit Förderstrom Caudal Portata		Pressure Pressione Druck Presion Pressione			rpm t/m upm r/m g/m	Power Puissance Leistung Potencia Potenza		Weight Poids Gewicht Peso Massa		
	L/min	gpm	bar	MPa	psi		Hp	kW	Kg	Ibs	
W4015 (*)	15	3.96	400	40	5800	1450	15	11.02	19.5	42,9	1.0
W5015 (*)	15	3.96	500	50	7250	1450	20	14.70	19.5	42,9	1.0
W3018	17.6	4.64	300	30	4350	1450	14	10.43	18.5	40.7	1.0
W4018	18	4.75	400	40	5800	1450	20	14.70	19.5	42,9	1.0
W4518	18	4.75	450	45	6525	1450	21	15.44	19.5	42,9	1.0
W5018	18	4.75	500	50	7250	1450	24	17.40	19.5	42.9	1.0
W3021 (*)	21	5.54	300	30	4350	1450	16	11.76	18.5	40,7	1.0
W3521 (*)	21	5.55	350	35	5075	1450	20	14.70	19.5	42,9	1.0
W3523	23	6.07	350	35	5075	1450	20	14.70	19.5	42,9	1.0
W2525 (*)	25	6.60	250	25	3600	1450	18	13.23	18.5	40,7	1.0
W3025 (*)	25	6.60	300	30	4350	1450	20	14.70	18.5	40,7	1.0
W2030 (*)	30	7.92	200	20	2900	1450	15	11.02	18.5	40,7	1.0
W2035	35	9.25	200	20	2900	1450	18	13.23	18.5	40,7	1.0
W2141	41	10.83	210	21	3045	1450	22	16.17	18.5	40,7	1.0
W1550 (*)	50	13.20	150	15	2175	1450	20	14.70	18.5	40.7	1.0

(*) - DISPONIBILE ANCHE CON DOPPIA PRESA DI FORZA
 (*) - DISPONIBLE MÊME AVEC DOUBLE PRISE DE FORCE
 (*) - DISPONIBLE TAMBIÉN CON EL DOBLE TOMADO DE FUERZA

(*) - AVAILABLE ALSO WITH DOUBLE POWER TAKE OFF
 (*) - VORHANDEN AUCH MIT DEM DOPPELTEN GENOMMEN VON DER KRAFT
 (*) - DISPONÍVEL TAMBÉM COM O DOBRO FEITO EXAME DA FORÇA

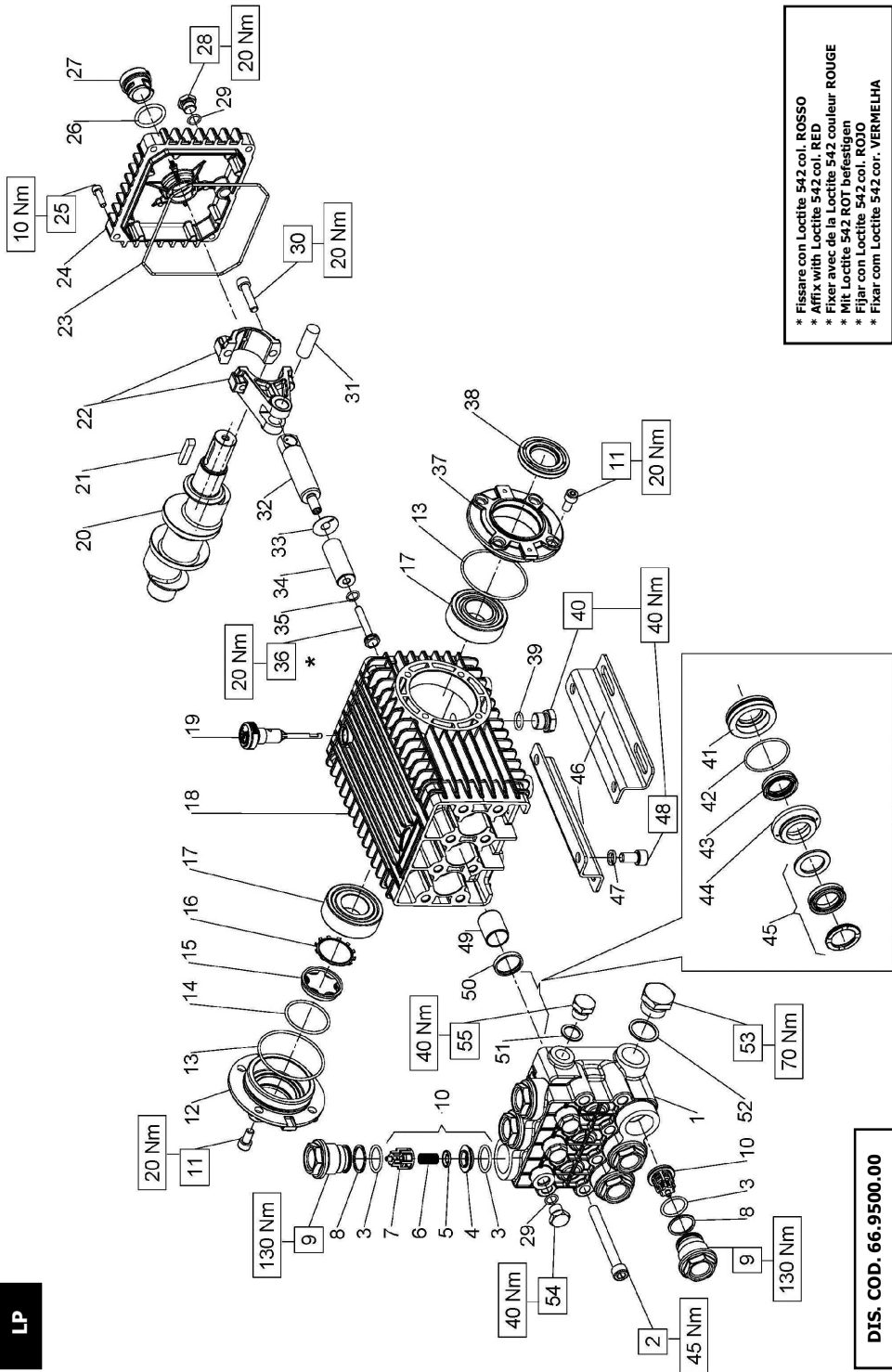
Type Type Type Tipo	Flow rate Débit Förderstrom Caudal Portata		Pressure Pressione Druck Presion Pressione			rpm t/m upm r/m g/m	Power Puissance Leistung Potencia Potenza		Weight Poids Gewicht Peso Massa		
	L/min	gpm	bar	MPa	psi		Hp	kW	Kg	Ibs	
T5015	15	3.96	500	50	7250	1750	19.5	14.54	19.5	42.9	1.0
T4018 (*)	18	4.75	400	40	5800	1750	20	14.70	19.5	42,9	1.0
T5018 (*)	18	4.75	500	50	7250	1750	24	17.64	19.5	42.9	1.0
T3021	21	5.55	300	30	4350	1750	16.5	12.30	18.5	40.7	1.0
T3025 (*)	25	6.60	300	30	4350	1750	20	14.70	18.5	40,7	1.0
T2530 (*)	30	7.92	250	25	3600	1750	20	14.70	18.5	40,7	1.0
T2830 (*)	30	7.92	275	27.5	4000	1750	21	15.44	18.5	40,7	1.0
T2535	35	9.25	250	25	3600	1750	22	16.17	18.5	40,7	1.0
T2040	40	10.56	200	20	2900	1750	21	15.44	18.5	40,7	1.0
T1750	50	13.20	172	17.2	2500	1750	22	16.17	18.5	40,7	1.0

(*) - DISPONIBILE ANCHE CON DOPPIA PRESA DI FORZA
 (*) - DISPONIBLE MÊME AVEC DOUBLE PRISE DE FORCE
 (*) - DISPONIBLE TAMBIÉN CON EL DOBLE TOMADO DE FUERZA

(*) - AVAILABLE ALSO WITH DOUBLE POWER TAKE OFF
 (*) - VORHANDEN AUCH MIT DEM DOPPELTEN GENOMMEN VON DER KRAFT
 (*) - DISPONÍVEL TAMBÉM COM O DOBRO FEITO EXAME DA FORÇA

SERIE 66

LP



* Fissare con Loctite 542 col. ROSSO
* Affix with Loctite 542 col. RED
* Fixer avec de la Loctite 542 couleur ROUGE
* Mit Loctite 542 ROT befestigen
* Fijar con Loctite 542 col. ROJO
* Fijar con Loctite 542 cor. VERMELHA

DIS. COD. 66.9500.00

W3021 - W2525 - W3025 - W2030 - W2035 W2141 - T3025 - T2530 - T2830 - T2535 T2040 - T1750 - W3018 - T3021
--

KIT RICAMBI - SPARE KITS

KIT Nr.	KIT 2	KIT 3	KIT 169	PISTONE - PISTON D. 18		PISTONE - PISTON D. 20		PISTONE - PISTON D. 22		PISTONE - PISTON D. 24	
				KIT 176	KIT 177	KIT 170	KIT 171	KIT 172	KIT 173	KIT 181	KIT 182
Posizioni include Positions included	50	38	3-4 5-6 7 (10)	41-42 43-44 45	43-45	41-42 43-44 45	41-42 43-44 45	43-45	41-42 43-44 45	43-45	41-42 43-44 45
Nr. Pcs.	3	2	6	3	1	3	1	3	1	3	1

PISTONE - PISTON D. 18	PISTONE - PISTON D. 20
W3021 - T3025 - W3018 - T3021	W2525 - W3025 - T2530 - T2535 - T2830
PISTONE - PISTON D. 22	PISTONE - PISTON D. 24
W2030 - W2035 - T2040	W2141 - T1750

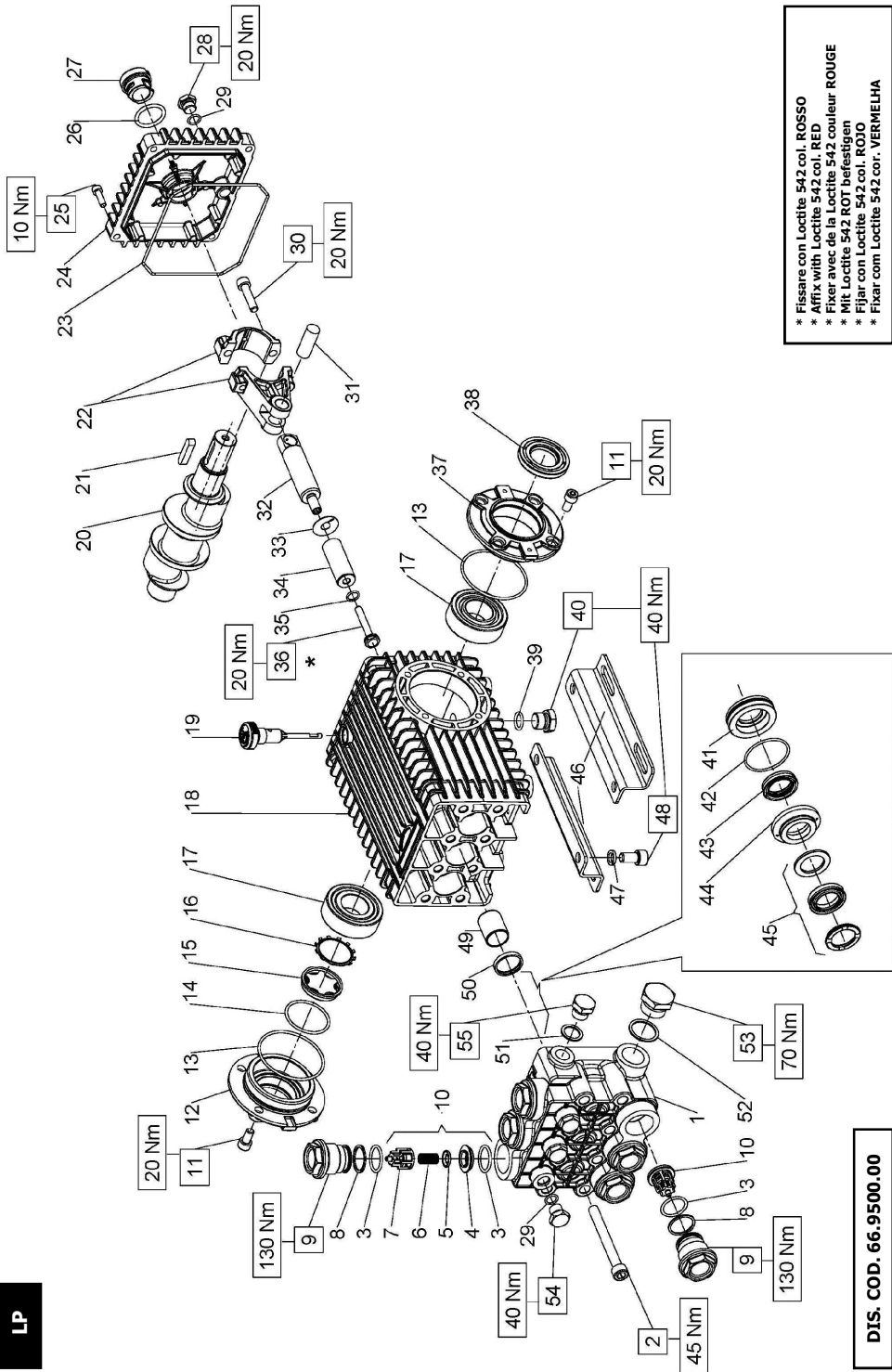
POS	COD.	DESCRIZIONE - DESCRIPTION - KIT	NR
19	98.2106.00	Tappo carico olio G 3/8"	1
20	66.0200.35	Albero ecc. C.19 - W2525 W2030 W3021 W3025 T2530 T3025 T2830	1
	66.0204.35	Albero ecc. C.21 - W2035 W2141 T2535 T2040 T1750	
	66.0211.35	Albero ecc. C.16 - W3018 T3021	
21	91.4892.00	Linguetta 9X7x35 UNI 6604	1
22	66.0300.01	Biella completa	3
23	90.3922.00	OR D. 133.02x2.62 NBR SH. 70 325	1
24	66.1600.22	Coperchio posteriore	1
25	99.1884.00	Vite M6x20 UNI 5931	4
26	90.4051.00	OR D. 26.58x3.53 NBR SH. 70 4106	1
27	63.2100.51	Spia livello olio	1
28	98.2042.50	Tappo G 1/4"x9 TE17 - Zinc.	1
29	90.3585.00	OR D. 10.82x1.78 NBR SH. 70 2043	4
30	99.3099.00	Vite M8x35 UNI 5931	6
31	97.7405.00	Spinotto D. 14x39	3
32	66.0500.66	Guida pistone	3
33	96.7101.00	Rosetta D. 10.0x28.0x0.5	3
34	66.0403.09	Pistone D. 18x54	
	66.0400.09	Pistone D. 20x54	
	66.0401.09	Pistone D. 22x54	
	66.0404.09	Pistone D. 24x54	
35	90.3584.00	OR D. 10.82x1.78 NBR SH. 90 2043	3
36	66.2195.66	Vite fissaggio pistone	3
37	47.1510.22	Coperchio cuscinetto aperto	1
38	90.1648.00	Anello rad. D. 30.0x55.0x7.0	3

POS	COD.	DESCRIZIONE - DESCRIPTION - KIT	NR
39	90.3833.00	OR D. 13.95x2.62 NBR SH. 70 3056	1
40	98.2100.50	Tappo G 3/8"x13 TE22 - Zinc.	1
	66.0803.70	Anello di fondo D. 18	176
	66.0800.70	Anello di fondo D. 20	171
41	66.0801.70	Anello di fondo D. 22	173
	66.0804.70	Anello di fondo D. 24	182
42	90.3616.00	OR D. 34.65x1.78NBR SH. 70 2137 171-173-176-182	3
	90.2652.00	Anello tenuta D. 18x26x6.5 LP 180-176	
	90.2690.00	Anello tenuta D. 20x28x6.5 LP 170-171	
43	90.2715.00	Anello tenuta D. 22x30x6.5 LP 172-173	3
	90.2738.00	Anello tenuta D. 24x32x6.5 LP 181-182	
	66.2163.70	Anello intermedio D. 18	176
	66.2160.70	Anello intermedio D. 20	171
44	66.2161.70	Anello intermedio D. 22	173
	66.2164.70	Anello intermedio D. 24	182
	90.2655.00	Anello tenuta D. 18x28x10 HP 180-176	
	90.2692.00	Anello tenuta D. 20x30x10 HP 170-171	
45	90.2717.00	Anello tenuta D. 22x32x10 HP 172-173	3
	90.2741.00	Anello tenuta D. 24x34x10 HP 181-182	
46	47.2000.74	Piede pompa	2
47	96.7106.00	Rosetta D. 10.2 DIN 7980	4
48	99.3644.00	Vite M10x18 UNI 5931	4
49	90.9126.00	Boccola D. 22x25x30	3
50	90.1625.00	Anello rad. D. 22.0x32.0x5.5	2
51	96.7380.00	Rosetta D. 17.5x23.0x1.5	1
52	96.7700.00	Rosetta D. 26.5x32.0x1.5	1
53	98.2268.00	Tappo G 3/4"x16	1
54	98.2043.00	Tappo G 1/4"x13	3
55	98.2100.00	Tappo G 3/8"x13	1

POS	COD.	DESCRIZIONE - DESCRIPTION - KIT	NR
1	66.1245.41	Testata D. 18	
	66.1200.41	Testata D. 20	
	66.1201.41	Testata D. 22	
	66.1202.41	Testata D. 24	
2	99.3801.00	Vite M10x90 UNI 5931	8
3	90.3857.00	OR D. 23.81x2.62 NBR SH. 70 132 169	12
4	36.2033.66	Sede valvola sferica	169
5	36.2034.76	Valvola	169
6	94.7388.00	Molla Dm. 10.0x18.5	169
7	36.2035.51	Guida valvola	169
8	90.5165.00	Anello antist. D. 24.7x29.0x1.5	6
9	66.1300.41	Tappo M32x1.5x29.5	6
10	36.7127.01	Gr. valvola aspiraz./mandata	169
11	99.3039.00	Vite M8x16 UNI 5931	8
12	47.1512.22	Coperchio cuscinetto lato spia	1
13	90.3913.00	OR D. 67.95x2.62 NBR SH. 70 3268	2
14	90.3877.00	OR D. 39.34x2.62 NBR SH. 70 3156	1
15	70.2118.01	Spia livello olio	1
16	90.0756.00	Anello d'arresto D. 45	1
17	91.8380.00	Cuscinetto a rulli	2
18	66.0100.22	Carter pompa	1

SERIE 66

LP



DIS. COD. 66.9500.00

KIT RICAMBI – SPARE KITS

POS	COD.	DESCRIZIONE – DESCRIPTION – KIT	NR
47	96.7106.00	Rosetta D. 10.2x16.02.5	4
48	99.3644.00	Vite M10x18 UNI 5931	4
49	90.9126.00	Boccola D. 22x25x30	3
50	90.1625.00	Anello rad. D. 22.0x32.0x5.5	2
51	96.7380.00	Rosetta D. 17.5x23.0x1.5	1
52	96.7700.00	Rosetta D. 26.5x32.0x1.5	1
53	98.2268.00	Tappo G 3/4"x16	1
54	98.2043.00	Tappo G 1/4"x13	3
55	98.2100.00	Tappo G 3/8"x13	1

KIT Nr.	KIT 2	KIT 3	KIT 169	KIT 248	KIT 247
W1550 Posizioni included	50	38	3 - 4 5 - 6 7 (10)	43 - 45	41 - 42 43 - 44 45
	Nr. Pcs.	3	2	6	3

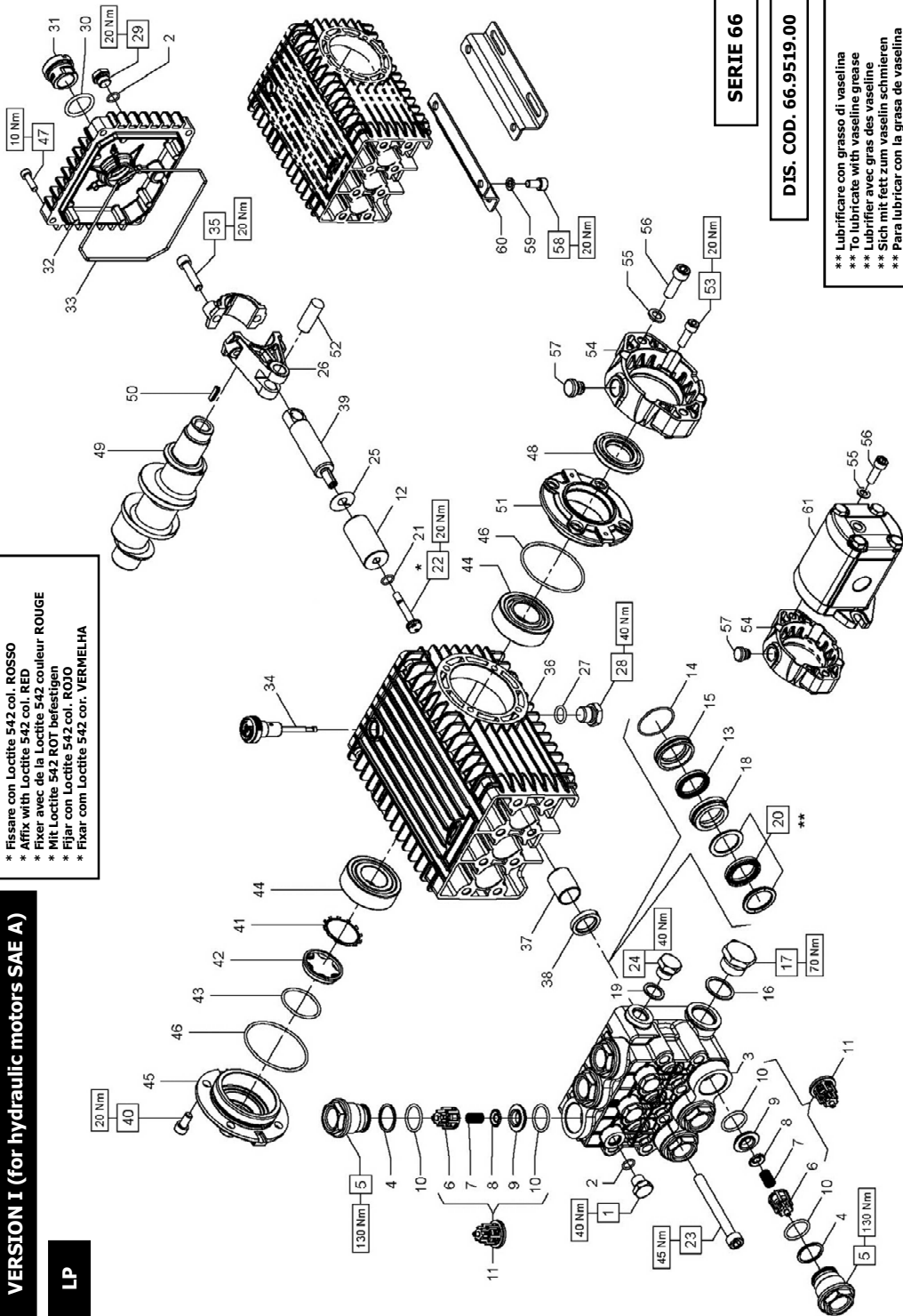
POS	COD.	DESCRIZIONE – DESCRIPTION – KIT	NR
1	66.1246.41	Testata pompa D. 28	1
2	99.3801.00	Vite M10x90 UNI 5931	8
3	90.3857.00	OR D. 23.81x2.62 NBR SH. 70 132.169	12
4	36.2033.66	Sede valvola	169
5	36.2034.76	Valvola sferica	169
6	94.7388.00	Molla Dm. 10.0x18.5	169
7	36.2035.51	Guida valvola	169
8	90.5165.00	Anello antest. D. 24.7x29.0x1.5	6
9	66.1300.41	Tappo M32x1.5x29.5	6
10	36.7127.01	Gr. valvola aspiraz./mandata	169
11	99.3039.00	Vite M8x16 UNI 5931	8
12	47.1512.22	Coperchio cuscinetto lato spia	1
13	90.3913.00	OR D. 67.95x2.62 NBR SH. 70 3268	2
14	90.3877.00	OR D. 39.34x2.62 NBR SH. 70 3156	1
15	70.2118.01	Spia livello olio	1
16	90.0756.00	Anello d'arresto Z145	1
17	91.8380.00	Cuscinetto a rulli	2
18	66.0100.22	Carter pompa	1
19	98.2106.00	Tappo carico olio G 3/8"	1
20	66.0200.35	Albero ecc. C. 19	1
21	91.4892.00	Linguetta 9x7x35 UNI 6604	1
22	66.0300.01	Biella completa	3
23	90.3922.00	OR D. 133.02x2.62 NBR SH. 70 3525	1

POS	COD.	DESCRIZIONE – DESCRIPTION – KIT	NR
24	66.1600.22	Coperchio posteriore	1
25	99.1884.00	Vite M6x20 UNI 5931	4
26	90.4051.00	OK D. 26.58x3.53 NBR SH. 70 4106	1
27	63.2100.51	Spia livello olio	1
28	98.2042.50	Tappo G 1/4"x9 TE17 – Zinc.	1
29	90.3585.00	OK D. 10.82x1.78 NBR SH. 70 2043	4
30	99.3099.00	Vite serraggio biella	6
31	97.7405.00	Spinotto D. 1.4x39	3
32	66.0500.66	Guida pistone	3
33	96.7101.00	Rosetta D. 10.0x28.0x0.5	3
34	66.0410.09	Pistone D. 28x54	3
35	90.3584.00	OR D. 10.82x1.78 NBR SH. 90 2043	3
36	66.2195.66	Vite fissaggio pistone	3
37	47.1510.22	Coperchio cuscinetto aperto	1
38	90.1648.00	Anello rad. D. 30.0x55.0x7.0	3
39	90.3833.00	OR D. 13.95x2.62 NBR SH. 70 3056	1
40	98.2100.50	Tappo G 3/8"x13 TE22 Zinc.	1
41	66.0825.70	Anello di fondo D. 28	247
42	90.3620.00	OK D. 37.82x1.78 NBR SH. 70 2150	247
43	90.2753.00	Anello tenuta D. 28x36x6.5 LP	247-248
44	66.2200.70	Anello intermedio D. 28	247
45	90.2754.00	Anello tenuta D. 28x38x10 HP	247-248
46	47.2000.74	Piedino pompa	2

VERSION I (for hydraulic motors SAE A)

LP

- * Fissare con Loctite 542 col. ROSSO
- * Affix with Loctite 542 col. RED
- * Fixer avec de la Loctite 542 couleur ROUGE
- * Mit Loctite 542 ROT befestigen
- * Fijar con Loctite 542 col. ROJO
- * Fixar com Loctite 542 cor. VERMELHA



SERIE 66

DIS. COD. 66.9519.00

- *** Lubrificare con grasso di vaselina
- *** To lubricate with vaseliline grease
- *** Lubrifier avec gras des vaseliline
- *** Sich mit fett zum vaselilin schmieren
- *** Para lubricar con la grasa de vaselina
- *** Para lubrificar con a graxa de vaselina

KIT RICAMBI - SPARE KITS

POS	COD.	DESCRIZIONE - DESCRIPTION - KIT	NR
48	90.1648.00	Anello rad. D. 30.0x55.0x7.0	3
49	66.0212.35	Albero ecc. C.19	1
50	91.4685.00	Linguetta 4,0/4.8x18.0	1
51	47.1510.22	Coperchio laterale lato PTO	1
52	97.7405.00	Spinnotto D. 14x39	3
53	99.3069.00	Vite M8x25 UNI 5931	4
54	10.0862.22	Flangia SAE A-2 fori	1
55	96.7103.00	Rosetta D. 10.5x18.0x2.0	2
56	99.3686.00	Vite M10x30 UNI 5931	2
57	90.2065.00	Tappo per foro D. 17 - TTNI9	1
58	99.3644.00	Vite M10x18 UNI 5931	4
59	96.7106.00	Rosetta D. 10.2x16.0x2.5	4
60	47.2000.74	Piedino pompa	2
61	95.1070.00	Motore ingr. 026R / S-A cli. / G	1

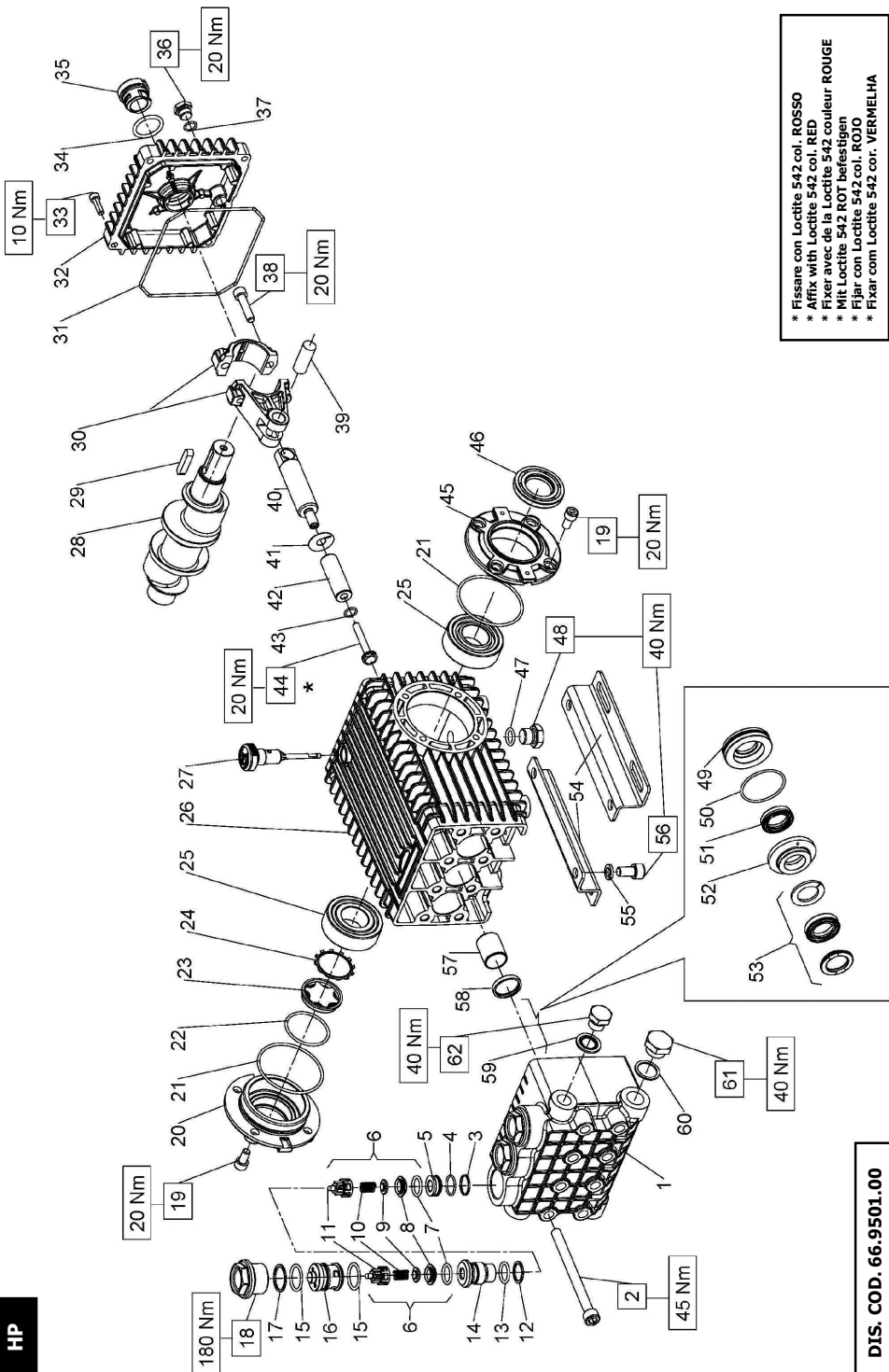
W1550	KIT 2	KIT 3	KIT 169	KIT 248	KIT 247
Posizioni include Positions included	38	48	6 - 7 8 - 9 10 (11)	13 - 20	13 - 14 15 - 18 20
Nr. Pcs.	3	2	6	3	1

POS	COD.	DESCRIZIONE - DESCRIPTION - KIT	NR
1	98.2043.00	Tappo G 1/4"x13	3
2	90.3585.00	OR D. 10.82x1.78 NBR SH. 70 2043	4
3	66.1246.41	Testata pompa D. 28	1
4	90.5165.00	Anello antiest. D. 24.7x29.0x1.5	6
5	66.1300.41	Tappo M32x1.5x29.5	6
6	36.2035.51	Guida valvola	169
7	94.7388.00	Molla Dm. 10.0x18.5	169
8	36.2034.76	Valvola sferica	169
9	36.2033.66	Sede valvola	169
10	90.3857.00	OR D. 23.81x2.62 NBR SH. 70 132 169	12
11	36.7127.01	Gr. valvola aspiraz./mandata	169
12	66.0410.09	Pistone D. 28x54	3
13	90.2753.00	Anello tenuta D. 28x36x6.5 LP 247-248	3
14	90.3620.00	OR D. 37.82x1.78 NBR SH. 70 2150 247	3
15	66.0825.70	Anello di fondo D. 28	247
16	96.7700.00	Rosetta D. 26.5x32.0x1.5	1
17	98.2268.00	Tappo G 3/4"x16	1
18	66.2200.70	Anello intermedio D. 28	247
19	96.7380.00	Rosetta D. 17.5x23.0x1.5	1
20	90.2754.00	Anello tenuta D. 28x38x10 HP 247-248	3
21	90.3584.00	OR D. 10.82x1.78 NBR SH. 90 2043	3
22	66.2195.66	Vite fissaggio pistone	3
23	99.3801.00	Vite M10x90 UNI 5931	8

POS	COD.	DESCRIZIONE - DESCRIPTION - KIT	NR
24	98.2100.00	Tappo G 3/8"x13	1
25	96.7101.00	Rosetta D. 10.0x28.0x0.5	3
26	66.0300.01	Biella completa	3
27	90.3833.00	OK D. 13.95x2.62 NBR SH. 70 3056	1
28	98.2100.50	Tappo G 3/8"x13 TE22 Zinc.	1
29	98.2042.50	Tappo G 1/4"x9 TE17 - Zinc.	1
30	90.4051.00	OK D. 26.58x3.53 NBR SH. 70 4106	1
31	63.2100.51	Spia livello olio	1
32	66.1600.22	Coperchio posteriore	1
33	90.3922.00	OR D. 133.02x2.62 NBR SH. 70 3525	1
34	98.2106.00	Tappo con asta G 3/8"x64	1
35	99.3099.00	Vite serraggio biella	6
36	66.0100.22	Carter pompa	1
37	90.9126.00	Boccola D. 22x25x30	3
38	90.1625.00	Anello rad. D. 22.0x32.0x5.5	2
39	66.0500.66	Guida pistone	3
40	99.3039.00	Vite M8x16 UNI 5931	4
41	90.0756.00	Anello d'arresto Z145	1
42	70.2118.01	Spia livello olio	1
43	90.3877.00	OR D. 39.34x2.62 NBR SH. 70 3156	1
44	91.8380.00	Cuscinetto a rulli	2
45	47.1512.22	Coperchio laterale lato spia	1
46	90.3913.00	OK D. 67.95x2.62 NBR SH. 70 3268	2
47	99.1884.00	Vite M6x20 UNI 5931	4

SERIE 66

HP



* Fissare con Loctite 542.col. ROSSO
* Affix with Loctite 542.col. RED
* Fixer avec de la Loctite 542 couleur ROUGE
* Mit Loctite 542 ROT befestigen
* Fijar con Loctite 542.col. ROJO
* Fijar con Loctite 542.col. VERMELHA

DIS. COD. 66.9501.00

KIT RICAMBI – SPARE KITS				PISTONE - PISTON D. 16		PISTONE - PISTON D. 18	
KIT Nr.	KIT 2	KIT 3	KIT 150	KIT 174	KIT 175	KIT 180	KIT 176
W5015 - W4518 - W4015 W4018 - W3521 - W523 T4018 - W5018 - T5018 T5015							
Posizioni Include Positions Included	58	46	7 - 8 9 - 10 11 (6)	51 - 53 51 - 52 53	49 - 50 51 - 52 53	51 - 53	49 - 50 51 - 52 53
Nr. Pcs.	3	2	6	3	1	3	1

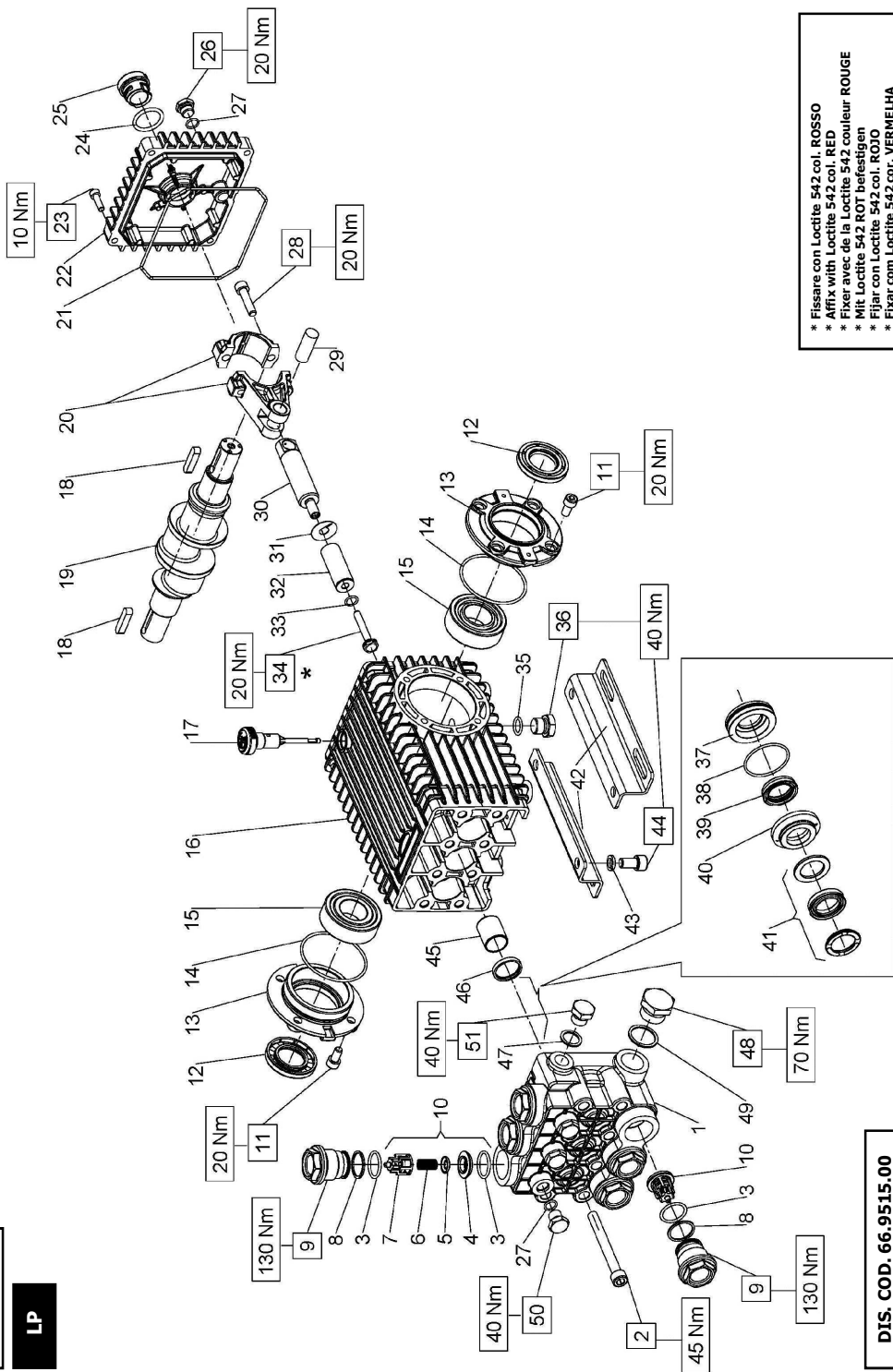
PISTONE – PISTON – D. 16		PISTONE – PISTON – D. 18	
COD.	DESCRIZIONE – DESCRIPTION – KIT	COD.	DESCRIZIONE – DESCRIPTION – KIT
W5015 - W4518 - W4015 W4018 - T4018 - T5015	W5521 - W3523	66.1301.41 66.1310.41	Tappo valvole M32x1.5x18.5 Tappo valvole M32x1.5x18.5 – NK
NICKEL	W5018 - T5018	99.3039.00	Vite M8x16 UNI 5931

POS	COD.	DESCRIZIONE – DESCRIPTION – KIT	NR
1	66.1210.41 66.1211.41 66.1240.41 66.1247.41	Testata pompa D. 16 Testata pompa D. 18 Testata pompa D. 16 - W5015 W4518 Testata pompa D. 16 – NICKEL	1
2	99.3820.00	Vite M10x120 UNI 5931	8
3	90.5118.00	Anello antiest. D. 19,5x22.0x1.5	3
4	90.3596.00	OR D. 18,77x1,78 NBR SH. 70 2075	3
5	66.2102.70	Distanziale	3
6	36.7121.01	Gr. valvola aspiraz./mandata	150 6
7	90.3841.00	OR D. 17,113x2,62 NBR SH. 70 3068	6
8	36.2003.66	Sede valvola	150 6
9	36.2032.66	Valvola sferica	150 6
10	94.7737.00	Molla Dm. 9,4x14,8	150 6
11	36.2025.51	Guida valvola	150 6
12	90.5115.00	Anello antiest. D. 18,7x23.0x1.5	3
13	90.3843.00	OR D. 17,86x2,62 NBR SH. 70 123	3
14	66.2101.66	Bussola	3
15	90.3857.00	OR D. 23,81x2,62 NBR SH. 70 132	6
16	66.2100.70	Tappo D. 29	3
17	90.5165.00	Anello antiest. D. 24,7x29.0x1.5	3
18	66.1301.41 66.1310.41	Tappo valvole M32x1.5x18.5 Tappo valvole M32x1.5x18.5 – NK	3
19	99.3039.00	Vite M8x16 UNI 5931	8
20	47.1512.22	Coperchio laterale lato spia	1
21	90.3913.00	OR D. 67,95x2,62 NBR SH. 70 3268	2
22	90.3877.00	OR D. 39,34x2,62 NBR SH. 70 3156	1
23	70.2118.01	Spia livello olio	1
24	90.0756.00	Anello d'arresto Z145	1
25	91.8380.00	Cuscinetto a rulli	2
26	66.0100.22	Carter pompa	1
27	98.2106.00	Tappo con asta G 3/8"x64	1
28	66.0204.35 66.0204.35 66.0211.35	Albero ecc. C.19 - W5015 W4015 W3521 T4018 T5018 Albero ecc. C.21 - W4518 W4018 W3523 W5018 Albero ecc. C.16 - T5015	1
29	91.4892.00	Linguetta 9,0x7,0x35,0	1
30	66.0300.01	Biella completa	3
31	90.3922.00	OR D. 133,02x2,62 NBR SH. 70 3525	1
32	66.1600.22	Coperchio posteriore	1
33	99.1884.00	Vite M6x20 UNI 5931	4
34	90.4051.00	OR D. 26,58x3,53 NBR SH. 70 4106	1
35	63.2100.51	Spia livello olio	1
36	98.2042..50	Tappo G 1/4"x9 TE17 – Zinc.	1
37	90.3585.00	OR D. 10,82x1,78 NBR SH. 70 2043	1
38	99.3099.00	Vite serraggio biella	6

POS	COD.	DESCRIZIONE – DESCRIPTION – KIT	NR
39	97.7405.00	Spinnotto D. 14x39	3
40	66.0500.66	Guida pistone	3
41	96.7101.00	Rosetta D. 10,0x28,0x0,5	3
42	66.0402.09 66.0403.09	Pistone D. 16x54 Pistone D. 18x54	3
43	90.3584.00	OR D. 10,82x1,78 NBR SH. 90 2043	3
44	66.2195.66	Vite fissaggio pistone	3
45	47.1510.22	Coperchio laterale lato PTO	1
46	90.1648.00	Anello rad. D. 30,0x56,0x7,0	3
47	90.3833.00	OR D. 13,95x2,62 NBR SH. 70 3056	1
48	98.2100.50	Tappo G 3/8"x13 TE22 – Zinc.	1
49	66.0802.70 66.0803.70	Anello di fondo D. 16 Anello di fondo D. 18	175 176
50	90.3616.00	OR D. 34,65x1,78 NBR SH. 70 2137 175-176	3
51	90.2631.00 90.2652.00	Anello tenuta D. 16x24x6,5 LP 174-175 Anello tenuta D. 18x26x6,5 LP 180-176	3
52	66.2162.70 66.2163.70	Anello intermedio D. 16 Anello intermedio D. 18	175 176
53	90.2634.00 90.2655.00	Anello tenuta D. 16x26x9,5 HP 174-175 Anello tenuta D. 18x28x10 HP 180-176	3
54	47.2000.74	Piedino pompa	2
55	96.7106.00	Rosetta D. 10,2x16,0x2,5	4
56	99.3644.00	Vite M10x18 UNI 5931	4
57	90.9126.00	Boccola D. 22x25x30	3
58	90.1625.00	Anello rad. D. 22,0x32,0x5,5	2
59	93.1858.00	Rondella di tenuta G 3/8"	1
60	96.7514.00	Rosetta D. 21,5x27,0x1,5	1
61	98.2176.00	Tappo G 1/2"x10	1
62	98.2100.00	Tappo G 3/8"x13	1

SERIE 66

LP



* Fissare con Loctite 542 col. ROSSO
* Affix with Loctite 542 col. RED
* Fixer avec de la Loctite 542 couleur ROUGE
* Mit Loctite 542 ROT befestigen
* Fijar con Loctite 542 col. ROJO
* Fixar com Loctite 542 cor. VERMELHA

DIS. COD. 66.9515.00

W3021 - W2525 - W3025 - W2030
W1550 - T3025 - T2530 - T2830

KIT RICAMBI – SPARE KITS

KIT 2	KIT 3	KIT 169	KIT 180	KIT 176	KIT 170	KIT 171	KIT 172	KIT 173	KIT 248	KIT 247
46	12	3-4 5-6 7 (10)	39-41	37-38 39-40 41	39-41	37-38 39-40 41	39-41	37-38 39-40 41	39-41	37-38 39-40 41
3	2	6	3	1	3	1	3	1	3	1

KIT RICAMBI – SPARE KITS

KIT 2	KIT 3	KIT 169	KIT 180	KIT 176	KIT 170	KIT 171	KIT 172	KIT 173	KIT 248	KIT 247
46	12	3-4 5-6 7 (10)	39-41	37-38 39-40 41	39-41	37-38 39-40 41	39-41	37-38 39-40 41	39-41	37-38 39-40 41
3	2	6	3	1	3	1	3	1	3	1

PISTONE - PISTON D. 18		PISTONE - PISTON D. 20	
W3021 - T3025	W2525 - W3025 - T2530 - T2830	W2525 - W3025 - T2530 - T2830	
PISTONE - PISTON D. 22		PISTONE - PISTON D. 28	
W2030	W1550		

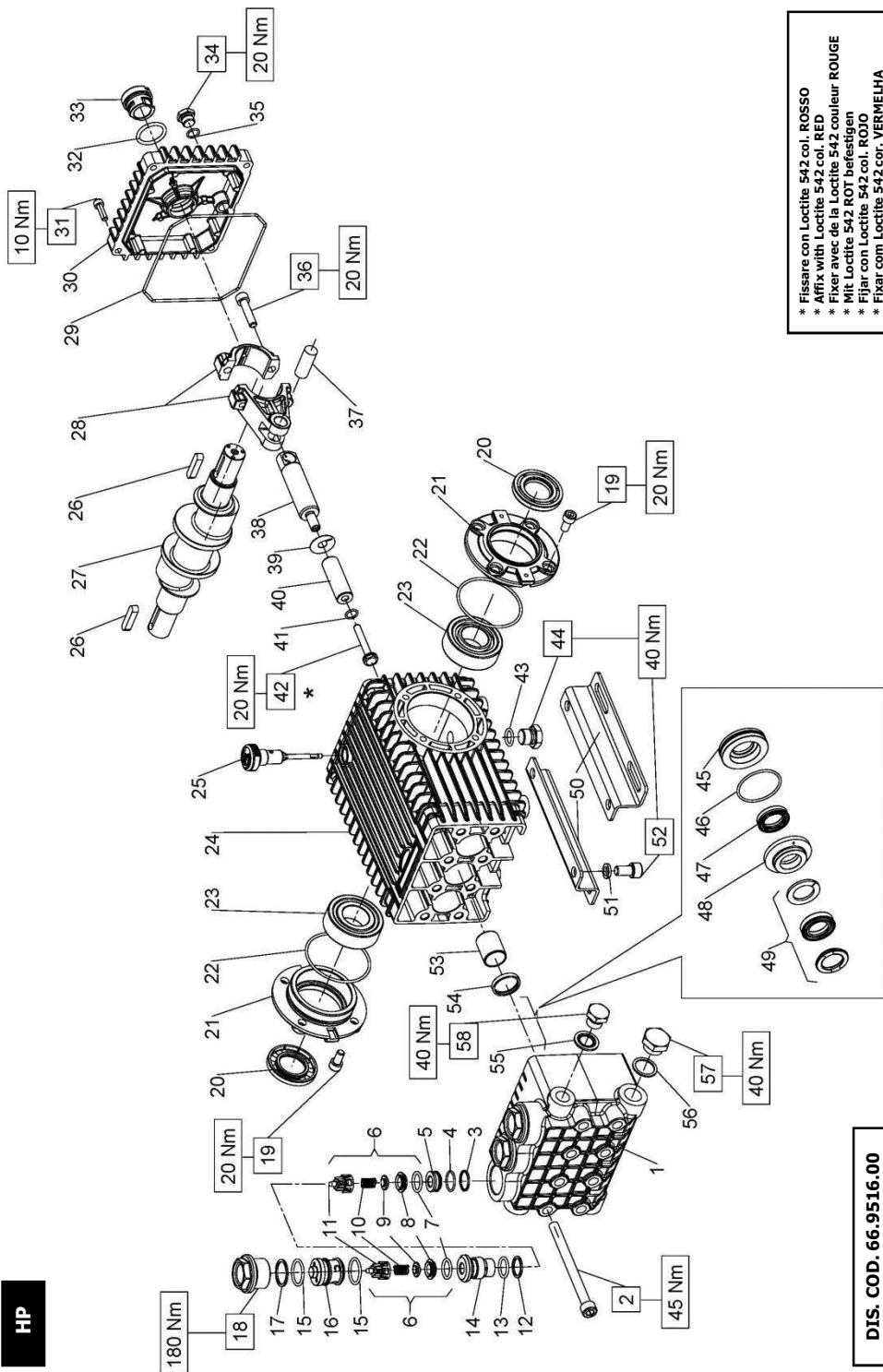
POS	COD.	DESCRIZIONE - DESCRIPTION - KIT	NR
17	98.2106.00	Tappo con asta G 3/8"x64	1
18	91.4892.00	Linguetta 9.0x7.0x35.0	2
19	66.0210.35	Albero ecc. C.19	1
20	66.0300.01	Biella completa	3
21	90.3922.00	OK D. 133.02x2.62 NBR SH. 70 3525	1
22	66.1600.22	Coperchio posteriore	1
23	99.1884.00	Vite M6x20 UNI 5931	4
24	90.4051.00	OK D. 26.58x3.53 NBR SH. 70 106	1
25	63.2100.51	Spia livello olio	1
26	98.2042.50	Tappo G 1/4"x9 TE17 - Zinc.	1
27	90.3585.00	OK D. 10.82x1.78 NBR SH. 70 2043	1
28	99.3099.00	Vite serraggio biella	6
29	97.7405.00	Spinotto D. 14x39	3
30	66.0500.66	Guida pistone	3
31	96.7101.00	Rosetta D. 10.0x28.0x0.5	3
32	66.0403.09 66.0400.09 66.0401.09 66.0410.09	Pistone D. 18x54 Pistone D. 20x54 Pistone D. 22x54 Pistone D. 28x54	3
33	90.3584.00	OK D. 10.82x1.78 NBR SH. 90 2043	3
34	66.2195.66	Vite fissaggio pistone	3
35	90.3833.00	OK D. 13.95x2.62 NBR SH. 70 3056	1
36	98.2100.50	Tappo G 3/8"x13 TE22 - Zinc.	1

POS	COD.	DESCRIZIONE - DESCRIPTION - KIT	NR
37	66.0803.70 66.0800.70 66.0801.70 66.0825.70	Anello di fondo D. 18 Anello di fondo D. 20 Anello di fondo D. 22 Anello di fondo D. 28	176 171 173 247
38	90.3616.00 90.3620.00	OR D. 34.65x1.78 NBR SH. 70 2137 171-173-176 OR D. 37.82x1.78 NBR SH. 70 2150 247	3
39	90.2852.00 90.2690.00 90.2715.00 90.2753.00	Anello tenuta D. 18x26x6.5 LP 180-176 Anello tenuta D. 20x28x6.5 LP 170-171 Anello tenuta D. 22x30x6.5 LP 172-173 Anello tenuta D. 28x36x6.5 LP 247-248	3
40	66.2163.70 66.2160.70 66.2161.70 66.2200.70	Anello intermedio D. 18 Anello intermedio D. 20 Anello intermedio D. 22 Anello intermedio D. 28	176 171 173 247
41	90.2655.00 90.2692.00 90.2717.00 90.2754.00	Anello tenuta D. 18x28x10 HP 180-176 Anello tenuta D. 20x30x10 HP 170-171 Anello tenuta D. 22x32x10 HP 172-173 Anello tenuta D. 28x38x10 HP 247-248	3
42	47.2000.74	Piedino pompa	2
43	96.7106.00	Rosetta D. 10.2x16.0x2.5	4
44	99.3644.00	Vite M10x18 UNI 5931	4
45	90.9126.00	Boccola D. 22x25x30	3
46	90.1625.00	Anello rad. D. 22.0x32.0x5.5	2
47	96.7380.00	Rosetta D. 17.5x23.0x1.5	1
48	98.2268.00	Tappo G 3/4"x16	1
49	96.7700.00	Rosetta D. 26.5x32.0x1.5	1
50	98.2043.00	Tappo G 1/4"x13	3
51	98.2100.00	Tappo G 3/8"x13	1

POS	COD.	DESCRIZIONE - DESCRIPTION - KIT	NR
1	66.1245.41 66.1200.41 66.1201.41 66.1246.41	Testata pompa D. 18 Testata pompa D. 20 Testata pompa D. 22 Testata pompa D. 28	1
2	99.3801.00	Vite M10x90 UNI 5931	8
3	90.3857.00	OR D. 23.81x2.62 NBR SH. 70 132.169	12
4	36.2033.66	Sede valvola	169
5	36.2034.76	Valvola sferica	169
6	94.7388.00	Molla Dm. 10.0x18.5	169
7	36.2035.51	Guida valvola	169
8	90.5165.00	Anello antiest. D. 24.7x19.0x1.5	6
9	66.1300.41	Tappo M32x1.5x29.5	6
10	36.7127.01	Gr. valvola aspiraz./mandata	169
11	99.3039.00	Vite M8x16 UNI 5931	8
12	90.1648.00	Anello rad. D. 30.0x55.0x7.0	3
13	47.1510.22	Coperchio laterale lato PTO	2
14	90.3913.00	OR D. 67.95x2.62 NBR SH. 70 3268	2
15	91.8380.00	Cuscinetto a rulli	2
16	66.0100.22	Carter pompa	1

SERIE 66

HP



* Fissare con Loctite 542 col. ROSSO
* Affix with Loctite 542 col. RED
* Fixer avec de la Loctite 542 couleur ROUGE
* Mit Loctite 542 ROT befestigen
* Fijar con Loctita 542 col. ROJO
* Fixar com Loctite 542 cor. VERMELHA

DIS. COD. 66.9516.00

**W5015 - W4015 - W3521
T4018 - T5018**

KIT RICAMBI – SPARE KITS

PISTONE - PISTON D. 16		PISTONE - PISTON D. 18	
KIT 150	KIT 174	KIT 175	KIT 180
7 - 8 9 - 10 11 (6)	47 - 49	45 - 46 47 - 48 49	45 - 46 47 - 48 49
20	3	1	3
2	3	1	3

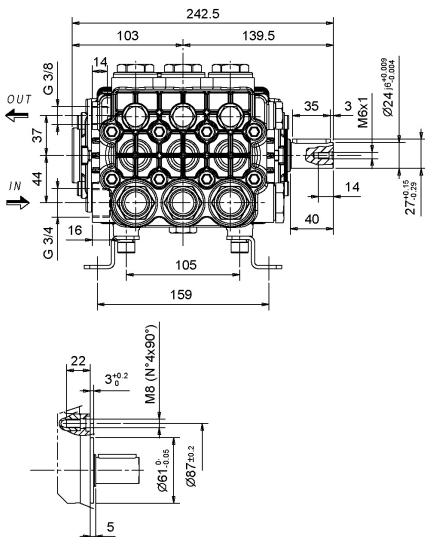
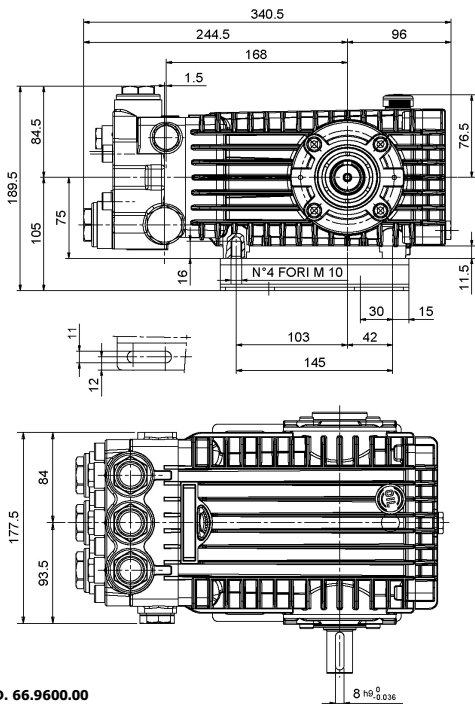
POS	COD.	DESCRIZIONE – DESCRIPTION - KIT	NR
41	90.3584.00	OR D. 10.82x1.78 NBR SH. 90 2043	3
42	66.2195.66	Vite fissaggio pistone	3
43	90.3833.00	OR D. 13.95x2.62 NBR SH. 703056	1
44	98.2100.50	Tappo G 3/8"x13 TE22 – Zinc.	1
45	66.0802.70 66.0803.70	Anello di fondo D. 16 Anello di fondo D. 18	175 176
46	90.3616.00	OR D. 34.65x1.78 NBR SH. 70 2137	3
			175-176
47	90.2631.00 90.2652.00	Anello tenuta D. 16x24x6.5 LP 174-175 Anello tenuta D. 18x26x6.5 LP 180-176	3
48	66.2162.70 66.2163.70	Anello intermedio D. 16 Anello intermedio D. 18	175 176
49	90.2634.00 90.2655.00	Anello tenuta D. 16x26x9.5 HP 174-175 Anello tenuta D. 18x28x10 HP 180-176	3
50	47.2000.74	Piedino pompa	2
51	96.7106.00	Rosetta D. 10.2x16.0x2.5	4
52	99.3644.00	Vite M10x18 UNI 5931	4
53	90.9126.00	Boccola D. 22x25x30	3
54	90.1625.00	Anello rad. D. 22.0x32.0x5.5	2
55	93.1858.00	Rondella di tenuta G 3/8"	1
56	96.7514.00	Rosetta D. 21.5x27.0x1.5	1
57	98.2176.00	Tappo G 1/2"x10	1
58	98.2100.00	Tappo G 3/8"x13	1

PISTONE - PISTON D. 16		PISTONE - PISTON D. 18	
W5015 - W4015 - T4018 - T5018	W3521	POS	COD.
		19	99.3039.00
		20	90.1648.00
		21	47.1510.22
		22	90.3913.00
		23	91.8380.00
		24	66.0100.22
		25	98.2106.00
		26	91.4892.00
		27	66.0210.35
		28	66.0300.01
		29	90.3922.00
		30	66.1600.22
		31	99.1884.00
		32	90.4051.00
		33	63.2100.51
		34	98.2042.50
		35	90.3585.00
		36	99.3099.00
		37	97.7405.00
		38	66.0500.66
		39	96.7101.00
		40	66.0402.09 66.0403.09

POS	COD.	DESCRIZIONE – DESCRIPTION - KIT	NR
19	99.3039.00	Vite M8x16 UNI 5931	8
20	90.1648.00	Anello rad. D. 30.0x56.0x7.0	3
21	47.1510.22	Coperchio laterale lato PTO	2
22	90.3913.00	OR D. 67.95x2.62 NBR SH. 70 3268	2
23	91.8380.00	Cuscinetto a rulli	2
24	66.0100.22	Cartier pompa	1
25	98.2106.00	Tappo con asta G 3/8"x64	1
26	91.4892.00	Linguetta 9.0x7.0x35.0	2
27	66.0210.35	Albero ecc. C.19	1
28	66.0300.01	Biella completa	3
29	90.3922.00	OK D. 133.02x2.62 NBR SH. 70 3525	1
30	66.1600.22	Coperchio posteriore	1
31	99.1884.00	Vite M6x20 UNI 5931	4
32	90.4051.00	OR D. 26.58x3.53 NBR SH. 70 4106	1
33	63.2100.51	Spia livello olio	1
34	98.2042.50	Tappo G 1/4"x9 TE17 – Zinc.	1
35	90.3585.00	OK D. 10.82x1.78 NBR SH. 70 2043	1
36	99.3099.00	Vite serraggio biella	6
37	97.7405.00	Spinotto D. 1.4x39	3
38	66.0500.66	Guida pistone	3
39	96.7101.00	Rosetta D. 10.0x28.0x0.5	3
40	66.0402.09 66.0403.09	Pistone D. 16x54 Pistone D. 18x54	3

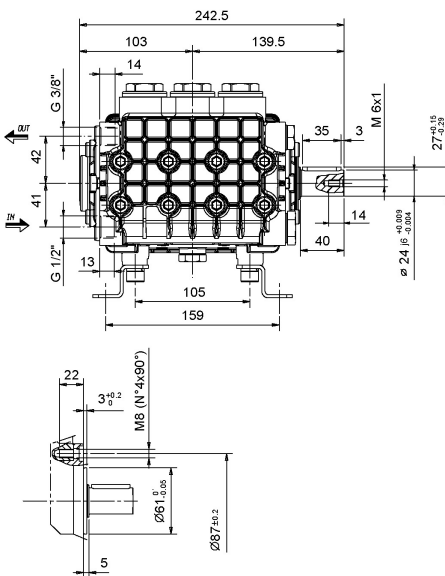
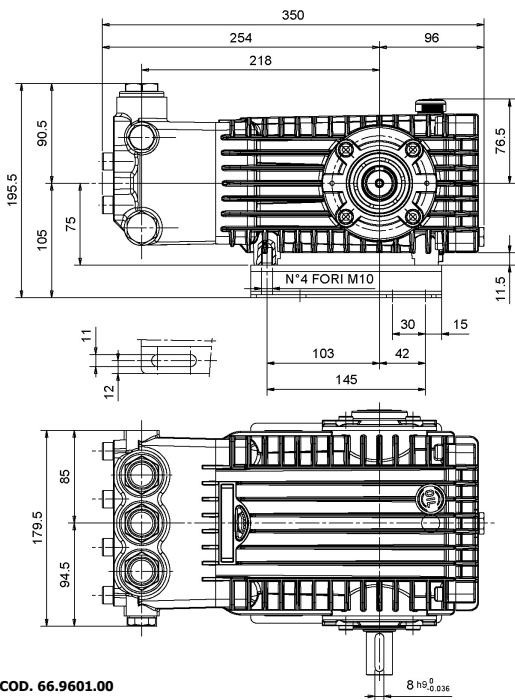
POS	COD.	DESCRIZIONE – DESCRIPTION - KIT	NR
1	66.1210.41 66.1211.41 66.1240.41	Testata pompa D. 16 Testata pompa D. 18 Testata pompa D. 16 - W5015 W4518	1
2	99.3820.00	Vite M10x120 UNI 5931	8
3	90.5118.00	Anello antiestr. D. 19.5x22.0x1.5	3
4	90.3596.00	OR D. 18.77x1.78 NBR SH. 70 2075	3
5	66.2102.70	Distanziale	3
6	36.7121.01	Gr. valvola aspiraz./mandata	150
7	90.3841.00	OR D. 17.13x2.62 NBR SH. 70 3068	150
8	36.2003.66	Sede valvola	150
9	36.2032.66	Valvola sferica	150
10	94.7376.00	Molla Dm. 9.4x14.8	150
11	36.2025.51	Guida valvola	150
12	90.5115.00	Anello antiestr. D. 18.7x23.0x1.5	3
13	90.3843.00	OR D. 17.86x2.62 NBR SH. 70 123	3
14	66.2101.66	Bussola	3
15	90.3857.00	OR D. 23.81x2.62 NBR SH. 70 132	6
16	66.2100.70	Tappo D. 29	3
17	90.5165.00	Anello antiestr. D. 24.7x29.0x1.5	3
18	66.1301.41	Tappo valvole M32x1.5x18.5	3

**DIMENSIONI D'INGOMBRO – OVERALL DIMENSIONS – DIMENSIONS D'ENCOMBREMENT
RAUMBEDARF – DIMENSIONES TOTALES – DIMENSÕES**



DIS. COD. 66.9600.00

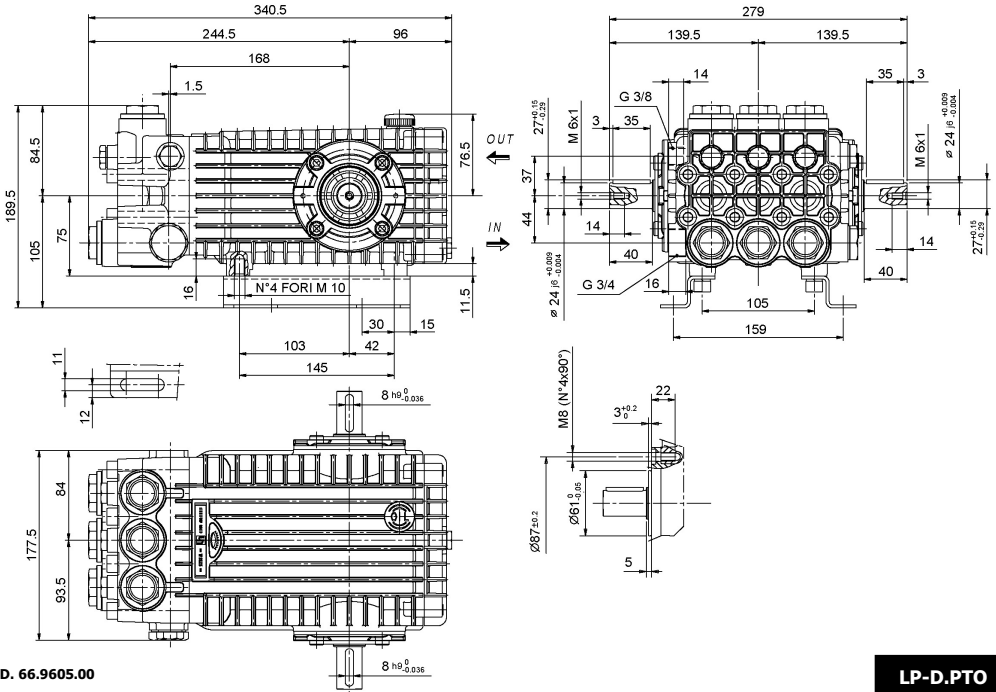
LP-STD.



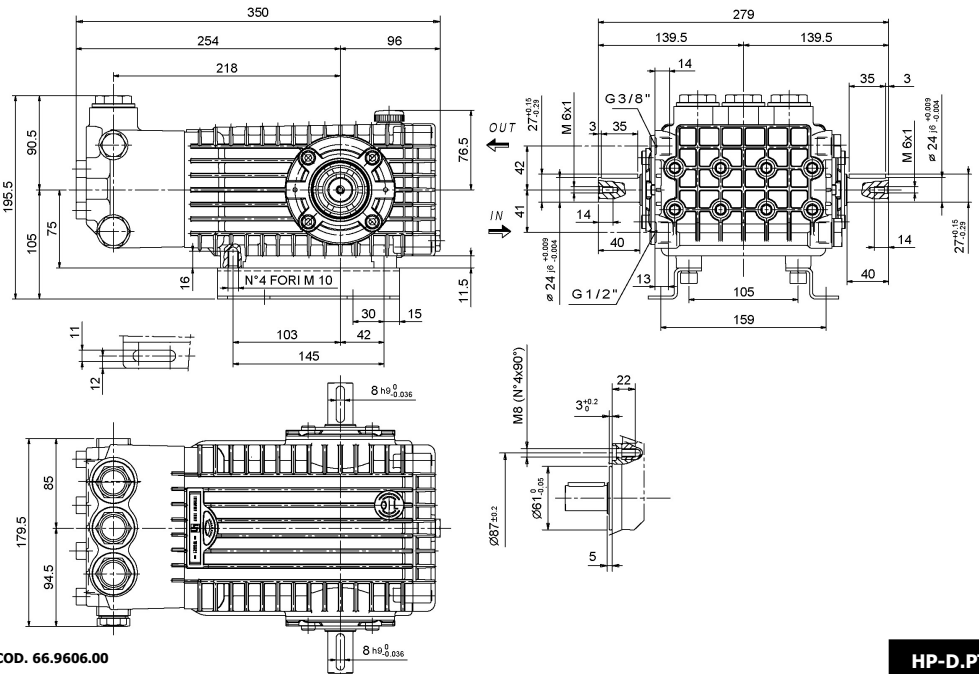
DIS. COD. 66.9601.00

HP-STD.

Coppia max. trasmissibile dal 2° PTO – Max. torque from 2° PTO
Couple max. transmissible du 2° PTO - Drehmoment transmissible max. von 2° PTO
De par max. de transmissible de 2° PTO – Binário máx. de transmissível de 2° PTO
33 Nm (5 kW@1450 rpm – 6 kW@1750 rpm)

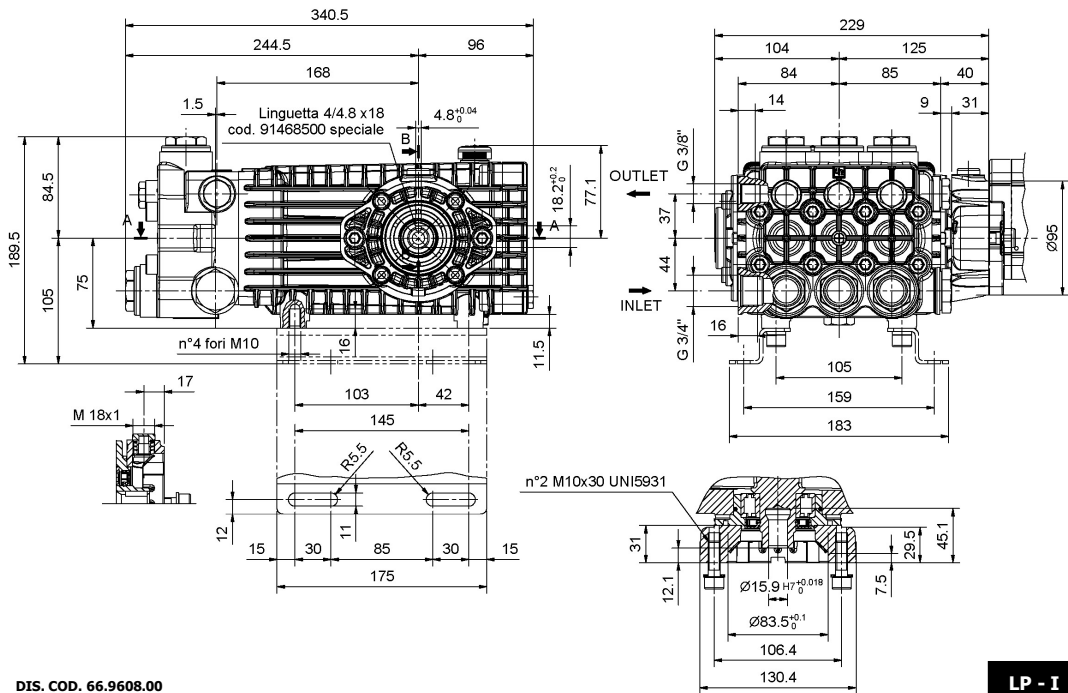


LP-D.PTO



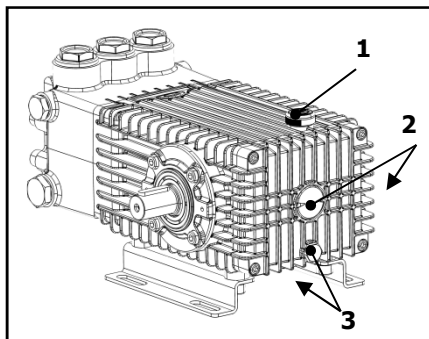
HP-D.PTO

**DIMENSIONI D'INGOMBRO – OVERALL DIMENSIONS – DIMENSIONS D'ENCOMBREMENT
 RAUMBEDARF – DIMENSIONES TOTALES – DIMENSÕES**



1 - CAMBIO OLIO

- 1.1 – Il cambio dell'olio va eseguito con pompa a temperatura di lavoro.
- 1.2 – Posizionare un recipiente sotto il tappo di scarico olio (3).
- 1.3 – Rimuovere il tappo con asta (1) e successivamente il tappo di scarico (3).
- 1.4 – Attendere fino a quando tutto l'olio è uscito, quindi riavvitare il tappo di scarico (3) con la coppia torcente indicata su disegno esploso.
- 1.5 – Riempire con olio nuovo fino al raggiungimento della mezzeria del tappo spia livello olio (2) e riavvitare il tappo con asta (1) .



Per il tipo di olio da utilizzare fare riferimento a quanto indicato sul libretto generico.



ATTENZIONE: L'olio esausto deve essere raccolto in recipienti e smaltito negli appositi centri in accordo alla normativa vigente. Non deve essere assolutamente disperso nell'ambiente.

1 – OIL CHANGING

- 1.1 – Oil changing must be done with the pump at operating temperature.
- 1.2 – Put a container under the oil drain plug (3).
- 1.3 – Remove the oil dipstick (1) and then the drain plug (3).
- 1.4 – Wait until all the oil has drained out, then screw the drain plug (3) and tighten at the torque shown in the exploded diagram.
- 1.5 – Fill with new oil until the middle of the oil level indicator (2) is reached, screw by hand the oil dipstick (1).

Refer to the generic booklet for the type of oil to use.



WARNING: The exhaust oil must be collected in receptacles and disposed of at authorised centres as specified by law. It must not be thrown away in the environment.

1 - CHANGEMENT DE L'HUILE

- 1.1 – Le changement de l'huile doit être exécuté avec la pompe à température d'exercice.
- 1.2 – Placer un récipient sous le bouchon de vidange de l'huile (3).
- 1.3 – Enlever le bouchon-jauge (1), puis enlever le bouchon de vidange (3).
- 1.4 – Attendre que toute l'huile soit sortie, puis revisser le bouchon de vidange (3) avec le couple de torsion qui est indiqué sur le dessin éclaté.
- 1.5 – Remplir avec de l'huile neuve jusqu'à la ligne médiane du bouchon indicateur du niveau d'huile (2), et revisser le bouchon-jauge (1).

Pour le type d'huile à utiliser, se référer à ce qui est indiqué sur la notice générale.



ATTENTION : L'huile usée doit être recueillie dans des récipients et éliminée dans les centres prévus à cet effet, conformément à la réglementation en vigueur. Il ne faut absolument pas la jeter dans l'environnement.

1 - ÖLWECHSEL

1.1 – Beim Ölwechsel muss die Pumpe Betriebstemperatur aufweisen.

1.2 – Unter den Ölablassverschluss (3) einen Behälter stellen.

1.3 – Den Verschluss mit dem Stab (1) und danach den Ablassverschluss (3) abnehmen.

1.4 – Warten, bis das gesamte Öl abgelassen ist und den Ablassverschluss (3) mit dem auf der Übersichtszeichnung angegebenen Drehmoment wieder anschrauben.

1.5 – Mit frischem Öl füllen, bis die Mittellinie des Ölstandkontrollverschlusses (2) erreicht ist und den Verschluss mit dem Stab (1) wieder anschrauben.

Bezüglich der verwendbaren Ölsorten siehe die Angaben im allgemeinen Handbuch.



ACHTUNG: Das Altöl muss in Behältern gesammelt und gemäß den geltenden Vorschriften bei den hierfür vorgesehenen Zentren entsorgt werden. Es darf keinesfalls umweltschädigend entsorgt werden.

1 - CAMBIO DE ACEITE

1.1 – El cambio de aceite se efectúa con bomba a temperatura de trabajo.

1.2 – Colocar un recipiente debajo del tapón de descarga de aceite (3).

1.3 – Extraer el tapón con varilla (1) y seguidamente el tapón de descarga (3).

1.4 – Esperar hasta que haya salido todo el aceite, volver a enroscar el tapón de descarga (3) con el par de torsión indicado en el despiece.

1.5 – Llenar con aceite nuevo hasta alcanzar la línea media del tapón indicador de nivel de aceite (2) y volver a enroscar el tapón con varilla (1).

Para el tipo de aceite que debe utilizarse, remitirse a las indicaciones del manual general.



ATENCIÓN: El aceite residual debe recogerse en recipientes y eliminarse en los centros pertinentes de acuerdo con la normativa vigente. En ningún caso debe dispersarse en el ambiente.

1 - TROCA DE ÓLEO

1.1 – A troca de óleo deve ser feita com a bomba na temperatura de trabalho.

1.2 – Posicionar um recipiente embaixo da tampa de descarga de óleo (3).

1.3 – Remover a tampa com o pino (1) e, em seguida, a tampa de descarga (3).

1.4 – Esperar que todo o óleo saia, recolocar a tampa de descarga (3) com o binário de torção indicado no desenho explodido.

1.5 – Encher com o óleo novo até chegar na linha da tampa de controle do nível do óleo (2) e recolocar a tampa com o pino (1).

Para o tipo de óleo a ser utilizado, consultar as indicações do livro genérico.



ATENÇÃO: O óleo consumido deve ser coletado em recipientes e eliminado nos locais adequados, de acordo com a normativa vigente. Não deve, de modo algum, ser jogado no ambiente.

Dichiarazione di incorporazione

(Ai sensi dell'allegato II della Direttiva Europea 2006/42/CE).

Il produttore **INTERPUMP GROUP S.p.A.** – Via E. Fermi, 25 – 42049 S.ILARIO D'ENZA (RE) – Italia

DICHIARA sotto la propria esclusiva responsabilità che il prodotto identificato e descritto come segue :

Denominazione: Pompa

Tipo: Pompa alternativa a pistoni per acqua ad alta pressione

Marchio di fabbrica: INTERPUMP GROUP

Modello: W4015 – W5015 – W4018 – W4518 – W3021

W3521 - W3523 - W2525 – W3025 – W2141 – W1550 – T2530 – T2830 – T2535 – T3025 – T2040 – T1750
T4018 - W5018 – T5018 – W3018 – T3021 – T5015

Risulta essere conforme alla Direttiva Macchine 2006/42/CE.

Norme applicate : UNI EN ISO 12100:2010 - UNI EN 809:2000

La pompa sopra identificata rispetta tutti i requisiti essenziali di sicurezza e di tutela della salute elencati nel punto 1 dell'allegato I della Direttiva Macchine :

1.1.2 - 1.1.3 - 1.1.5 - 1.3.1 - 1.3.2 - 1.3.3 - 1.3.4 - 1.5.4 - 1.5.5 - 1.6.1 - 1.7.1 - 1.7.2 - 1.7.4 - 1.7.4.1 - 1.7.4.2
e la relativa documentazione tecnica è stata compilata in conformità dell'allegato VII B.

Inoltre il produttore si impegna a rendere disponibile, a seguito di una richiesta adeguatamente motivata, copia della documentazione tecnica pertinente la pompa nei modi e nei termini da definire.

La pompa non deve essere messa in servizio finché l'impianto al quale la pompa deve essere incorporata è stato dichiarato conforme alle disposizioni delle relative direttive e/o norme.

Persona autorizzata a costituire il fascicolo tecnico Nome: Maurizio Novelli.

Indirizzo: INTERPUMP GROUP S.p.A. – Via E. Fermi, 25 – 42049 S. ILARIO D'ENZA (RE) – Italia

Persona autorizzata a redigere la dichiarazione: L'amministratore delegato Ing. Paolo Marinsek

Reggio Emilia 02/2013

Firma 

Declaration of incorporation

(In accordance with annex II of European Directive 2006/42/CE).

The manufacturer **INTERPUMP GROUP S.p.A.** – Via E. Fermi, 25 – 42049 S.ILARIO D'ENZA (RE) – Italy

DECLARES under sole responsibility that the product identified and described as follows :

Name : Pump

Type: Reciprocating plunger pump for high pressure water

Trademark: INTERPUMP GROUP

Model: W4015 – W5015 – W4018 – W4518 – W3021

W3521 - W3523 - W2525 – W3025 – W2141 – W1550 – T2530 – T2830 – T2535 – T3025 – T2040 – T1750
T4018 - W5018 – T5018 – W3018 – T3021 – T5015

Complies with Machinery Directive 2006/42/EC .

Standards applied : UNI EN ISO 12100:2010 - UNI EN 809:2000

The pump identified above meets all the essential safety and health protection requirements as listed in section 1 of Annex I of the Machinery Directive :

1.1.2 - 1.1.3 - 1.1.5 - 1.3.1 - 1.3.2 - 1.3.3 - 1.3.4 - 1.5.4 - 1.5.5 - 1.6.1 - 1.7.1 - 1.7.2 - 1.7.4 - 1.7.4.1 - 1.7.4.2
and the relevant technical documentation has been compiled in accordance with Annex VII B .

In addition, the manufacturer undertakes to make available, following a reasoned request, a copy of the relevant technical pump documentation in the manner and terms to be defined .

The pump should not be put into service until the plant to which the pump is to be incorporated has been declared in accordance with the provisions of the relevant directives and/or standards .

Person authorised to compile the technical file Name: Maurizio Novelli.

Address: INTERPUMP GROUP S.p.A. – Via E. Fermi, 25 – 42049 S. ILARIO D'ENZA (RE) – Italy

Person authorized to draw up the declaration : CEO Mr. Paolo Marinsek

Reggio Emilia 02/2013

Signature 

Déclaration d'incorporation

(Conformément à l'annexe II de la Directive Européenne 2006/42/CE).

Le fabricant **INTERPUMP GROUP S.p.A.** – Via E. Fermi, 25 – 42049 S.ILARIO D'ENZA (RE) - Italie

DÉCLARE sous sa seule responsabilité que le produit identifié et décrit comme suit :

Dénomination : Pompe

Type: Pompe alternative à pistons pour eau à haute pression

Marque de fabrique: INTERPUMP GROUP

Modèle: W4015 – W5015 – W4018 – W4518 – W3021

W3521 - W3523 – W2525 – W3025 – W2141 – W1550 – T2530 – T2830 – T2535 – T3025 – T2040 – T1750
T4018 - W5018 – T5018 – W3018 – T3021 – T5015

Est conforme à la Directive Machines 2006/42/CE :

Normes appliquées : UNI EN ISO 12100:2010 - UNI EN 809:2000

La pompe identifiée ci-dessus répond aux exigences essentielles de sécurité et protection de la santé suivantes énumérées au point 1 de l'annexe I de la Directive Machines :

1.1.2 - 1.1.3 - 1.1.5 - 1.3.1 - 1.3.2 - 1.3.3 - 1.3.4 - 1.5.4 - 1.5.5 - 1.6.1 - 1.7.1 - 1.7.2 - 1.7.4 - 1.7.4.1 - 1.7.4.2
et la documentation technique pertinente est constituée conformément à l'annexe VII B.

De plus, le fabricant s'engage à rendre disponible, suite à une demande adéquatement motivée, une copie de la documentation technique relative à la pompe dans les modes et les termes à définir.

La pompe ne doit pas être mise en marche tant que l'installation à laquelle la pompe doit être incorporée n'a pas été déclarée conforme aux dispositions des directives et / ou normes relatives.

Personne autorisée à réaliser le manuel technique

Nom: Maurizio Novelli.

Adresse: INTERPUMP GROUP S.p.A. – Via E. Fermi, 25 – 42049 S. ILARIO D'ENZA (RE) – Italie

Personne autorisée à rédiger la déclaration:

L'administrateur délégué Ing. Paolo Marinsek

Reggio Emilia 02/2013

Signature 

Einbauerklärung

(gemäß Anhang II der Europäischen Richtlinie 2006/42/EG).

Der Hersteller **INTERPUMP GROUP S.p.A.** – Via E. Fermi, 25 – 42049 S.ILARIO D'ENZA (RE) - Italien

ERKLÄRT auf alleinige Verantwortung, dass das wie folgt bezeichnete und beschriebene Produkt:

Bezeichnung: Pumpe

Typ: Kolbenpumpe für Hochdruckwasser

Herstellermarke : INTERPUMP GROUP

Modell: W4015 – W5015 – W4018 – W4518 – W3021

W3521 - W3523 – W2525 – W3025 – W2141 – W1550 – T2530 – T2830 – T2535 – T3025 – T2040 – T1750
T4018 - W5018 – T5018 – W3018 – T3021 – T5015

mit der Maschinenrichtlinie 2006/42/EG konform ist.

Angewandte Normen: UNI EN ISO 12100:2010 - UNI EN 809:2000

Die oben genannte Pumpe genügt den folgenden grundlegenden Sicherheits- und

Gesundheitsschutzanforderungen, die unter Punkt 1 des Anhangs I der Maschinenrichtlinie aufgeführt sind:

1.1.2 - 1.1.3 - 1.1.5 - 1.3.1 - 1.3.2 - 1.3.3 - 1.3.4 - 1.5.4 - 1.5.5 - 1.6.1 - 1.7.1 - 1.7.2 - 1.7.4 - 1.7.4.1 - 1.7.4.2

Die speziellen technischen Unterlagen wurden gemäß Anhang VII Teil B erstellt.

Darüber hinaus verpflichtet sich der Hersteller einzelstaatlichen Stellen auf begründetes Verlangen die speziellen technischen Unterlagen zur Pumpe in festzulegenden Modalitäten und Fristen zu übermitteln.

Die Pumpe darf erst dann in Betrieb genommen werden, wenn gegebenenfalls festgestellt wurde, dass die Maschine, in die die Pumpe eingebaut werden soll, den Bestimmungen der entsprechenden Richtlinien und/oder Normen entspricht.

Person, die bevollmächtigt ist,

die relevanten technischen Unterlagen zusammenzustellen: Name: Maurizio Novelli.

Adresse: INTERPUMP GROUP S.p.A. – Via E. Fermi, 25 – 42049 S. ILARIO D'ENZA (RE) – Italien

Person, die zur Ausstellung dieser Erklärung bevollmächtigt ist: : Der Geschäftsführer Ing. Paolo Marinsek

Reggio Emilia 02/2013

Unterschrift 

Declaración de incorporación (De acuerdo con el anexo II de la Directiva Europea 2006/42/CE).

El fabricante **INTERPUMP GROUP S.p.A.** – Via E. Fermi, 25 – 42049 S.ILARIO D'ENZA (RE) – Italia,
DECLARA bajo su propia y exclusiva responsabilidad al producto identificado y descrito del siguiente modo:
Denominación: Bomba Tipo: Bomba alternativa con pistones para agua de alta presión
Marca de fábrica: INTERPUMP GROUP Modelo: W4015 – W5015 – W4018 – W4518 – W3021
W3521 - W3523 – W2525 – W3025 – W2141 – W1550 – T2530 – T2830 – T2535 – T3025 – T2040 – T1750
T4018 - W5018 – T5018 – W3018 – T3021 – T5015

Resulta estar conforme con la Directiva de Máquinas 2006/42/CE.
Normas aplicadas : UNI EN ISO 12100:2010 - UNI EN 809:2000

La bomba identificada anteriormente respeta los siguientes requisitos esenciales de seguridad y de protección de la salud citados en el punto 1 del anexo I de la Directiva de Máquina:
1.1.2 - 1.1.3 - 1.1.5 - 1.3.1 - 1.3.2 - 1.3.3 - 1.3.4 - 1.5.4 - 1.5.5 - 1.6.1 - 1.7.1 - 1.7.2 - 1.7.4 - 1.7.4.1 - 1.7.4.2
y la correspondiente documentación técnica ha sido compilada de acuerdo con el anexo VII B.

Además el fabricante se compromete en hacer disponible, después haberse llevado a cabo una solicitud adecuadamente motivada, una copia de la documentación técnica pertinente de la bomba en una modalidad y en un plazo aún por definir.


La bomba no debe ser puesta en funcionamiento, hasta que el sistema al cuál la bomba debe ser incorporada, haya sido declarado conforme a las disposiciones de las respectivas directivas y/o normativas.

Persona autorizada a realizar el fascículo técnico : Nombre: Maurizio Novelli.

Dirección: INTERPUMP GROUP S.p.A. – Via E. Fermi, 25 – 42049 S. ILARIO D'ENZA (RE) – Italia

Persona autorizada a redactar la declaración : El administrador delegado Ing. Paolo Marinsek

Reggio Emilia 02/2013

Firma 

Declaração de incorporação (Nos termos do anexo II da Directiva Europeia 2006/42/CE).

O fabricante **INTERPUMP GROUP S.p.A.** – Via E. Fermi, 25 – 42049 S.ILARIO D'ENZA (RE) - Itália,
DECLARA sob a sua exclusiva responsabilidade que o produto identificado e descrito tal como se segue :
Denominação: Bomba Tipo: Bomba alternativa com pistões para água a alta pressão
Marca de fábrica : INTERPUMP GROUP Modelo: W4015 – W5015 – W4018 – W4518 – W3021
W3521 - W3523 – W2525 – W3025 – W2141 – W1550 – T2530 – T2830 – T2535 – T3025 – T2040 – T1750
T4018 - W5018 – T5018 – W3018 – T3021 – T5015

Está em conformidade com a Directiva Máquinas 2006/42/CE.
Normas aplicadas: UNI EN ISO 12100:2010 - UNI EN 809:2000

A bomba acima identificada respeita os seguintes requisitos essenciais de segurança e de tutela da saúde, referidos no ponto 1 do anexo I da Directiva Máquinas:
1.1.2 - 1.1.3 - 1.1.5 - 1.3.1 - 1.3.2 - 1.3.3 - 1.3.4 - 1.5.4 - 1.5.5 - 1.6.1 - 1.7.1 - 1.7.2 - 1.7.4 - 1.7.4.1 - 1.7.4.2
e a respectiva documentação técnica foi compilada em conformidade com o anexo VII B.

Além disso, o fabricante compromete-se a disponibilizar, mediante pedido adequadamente motivado, uma cópia da documentação técnica referente à bomba, em modos e termos a definir.

A bomba não deve ser colocada em funcionamento até que o sistema no qual tem de ser incorporada seja declarado em conformidade com as disposições das respectivas directivas e/ou normas.

Pessoa autorizada a compilar a documentação técnica Nome: Maurizio Novelli.

Morada: INTERPUMP GROUP S.p.A. – Via E. Fermi, 25 – 42049 S. ILARIO D'ENZA (RE) – Itália

Pessoa autorizada a redigir a declaração : O administrador delegado Eng. Paolo Marinsek

Reggio Emilia 02/2013

Assinatura 

COPYRIGHT Il contenuto di questo libretto è di proprietà di INTERPUMP GROUP, ne è vietata la riproduzione e/o la divulgazione, anche parziale, a termini di legge.

COPYRIGHT The contents of this booklet are the property of INTERPUMP GROUP. Reproduction and divulgation, in whole or in part, are prohibited by law.

COPYRIGHT Le contenu de cette notice appartient à INTERPUMP GROUP : aux termes de la loi il est interdit de le reproduire et/ou de le divulguer, même partiellement.

COPYRIGHT Der Inhalt dieser Bedienungsanleitung ist Eigentum von INTERPUMP GROUP. Die auch nur teilweise Reproduktion und/oder Verbreitung ist gesetzlich verboten.

COPYRIGHT El contenido del presente manual es propiedad de INTERPUMP GROUP y está legalmente prohibida su reproducción y/o divulgación parcial o total.

COPYRIGHT O conteúdo deste livro é de propriedade da INTERPUMP GROUP, e é proibida a sua reprodução e/ou a sua divulgação, mesmo parcial, nos termos da lei.

Le informazioni presenti su questo documento possono essere variate senza preavviso.

The information contained in this document may change without notice.

Les informations présentes sur ce document peuvent être changées sans besoin de préavis.

Die in diesem Dokument enthaltenen Informationen können ohne Vorankündigung geändert werden.

La información contenida en el presente documento puede modificarse sin previo aviso.

As informações contidas neste documento poderão ser sujeitas a alterações sem aviso prévio.



**INTERPUMP
GROUP**

**AZIENDA CON SISTEMA
DI GESTIONE QUALITÀ
CERTIFICATO DA DNV GL
= ISO 9001 =**

VIA FERMI, 25 42049 S.ILARIO – REGGIO EMILIA (ITALY)
TEL.+39 – 0522 - 904311 TELEFAX +39 – 0522 – 904444
E-mail: info@interpumpgroup.it - <http://www.interpumpgroup.it>