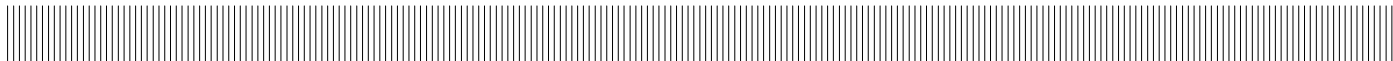


| | | | | | |
|----------------------------------------------------------------------------------|----------------------------------------|-----------|-----------------------------------------------------------------|---|----------|
|  | EQUIPAGGIAMENTI TECNICI LAVAGGIO | RU | RETRUGELLO DRAIN CLEANING NOZZLE 25.1239.00 | ① | 4 |
| | | | | Ⓜ | |

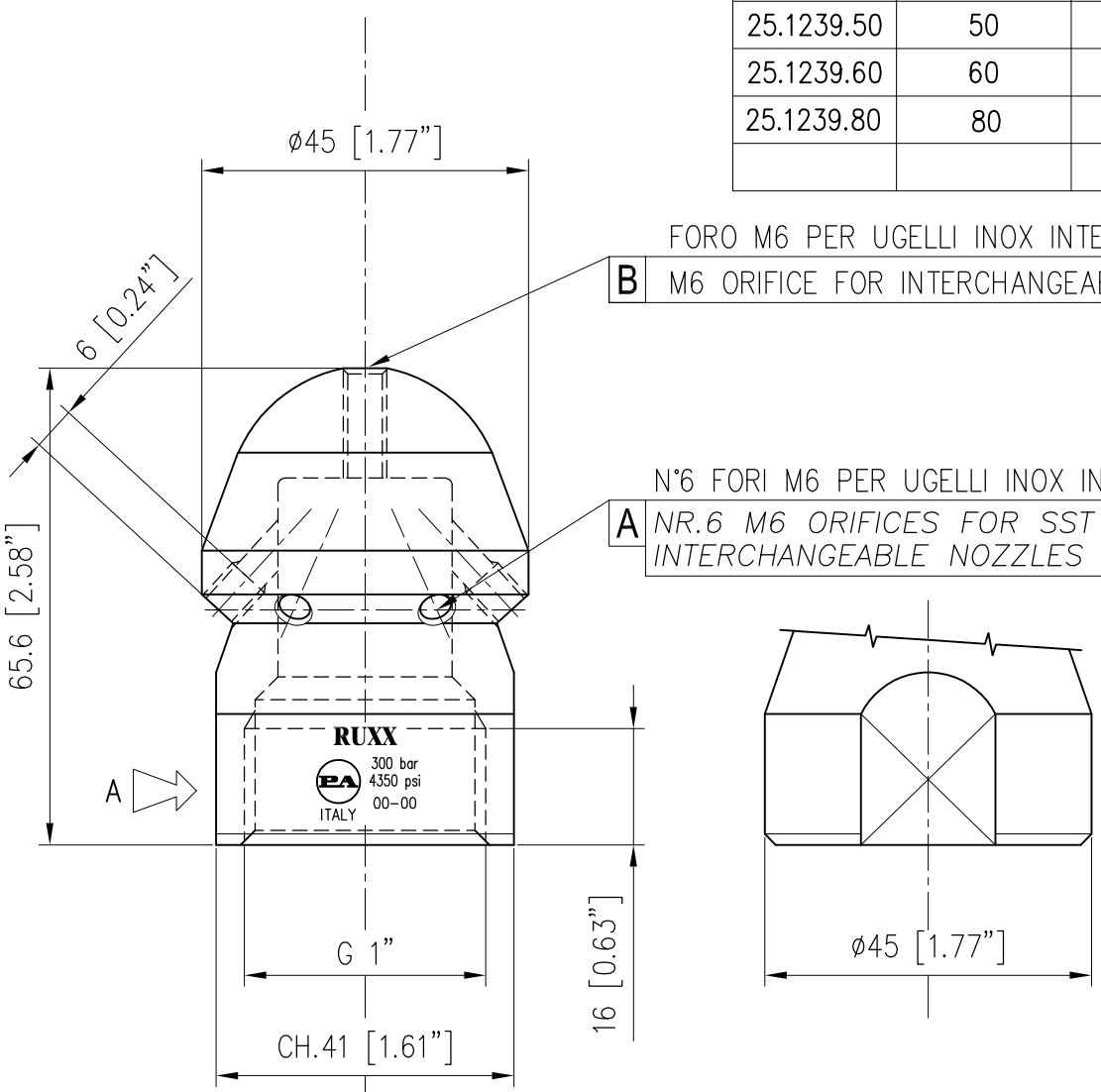


SPECIFICHE TECNICHE
SPECIFICATIONS

| | |
|--------------------------------------------------|------------------------------------------------------------------------------------------------------------------|
| - PRESSIONE NOMINALE RATED PRESSURE | 300 bar – 30MPa (4350 psi) |
| - TEMPERATURA MASSIMA MAX WORKING TEMPERATURE | 160° C (320 °F) |
| - MASSA WEIGHT | 351 gr (12.38 oz) |
| - MATERIALE MATERIAL | ACCIAIO CEMENTATO E TEMPRATO E SUPERFICIALMENTE NICHELATO TEMPERED CASEHARDENED STEEL & NICKEL PLATED SURFACE |

MISURE D'INGOMBRO
OVERALL DIMENSIONS

| CODICE CODE | Fattore di portata Capacity Size | A | B |
|----------------|-------------------------------------|--------|--------|
| 25.1239.50 | 50 | ∅ 1.75 | ∅ 1.75 |
| 25.1239.60 | 60 | ∅ 1.9 | ∅ 2.25 |
| 25.1239.80 | 80 | ∅ 2.35 | ∅ 2 |



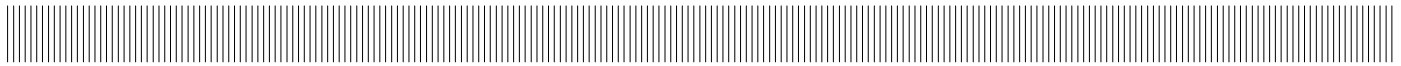
FORO M6 PER UGELLI INOX INTERCAMBIABILI
M6 ORIFICE FOR INTERCHANGEABLE SST NOZZLES (Callout B)

N°6 FORI M6 PER UGELLI INOX INTERCAMBIABILI
NR.6 M6 ORIFICES FOR SST INTERCHANGEABLE NOZZLES (Callout A)

VISTA DA: A
VIEW FROM A

Dimensions: ∅45 [1.77"], 6 [0.24"], 65.6 [2.58"], 16 [0.63"], G 1", CH.41 [1.61"]

PA 300 bar 4350 psi ITALY 00-00

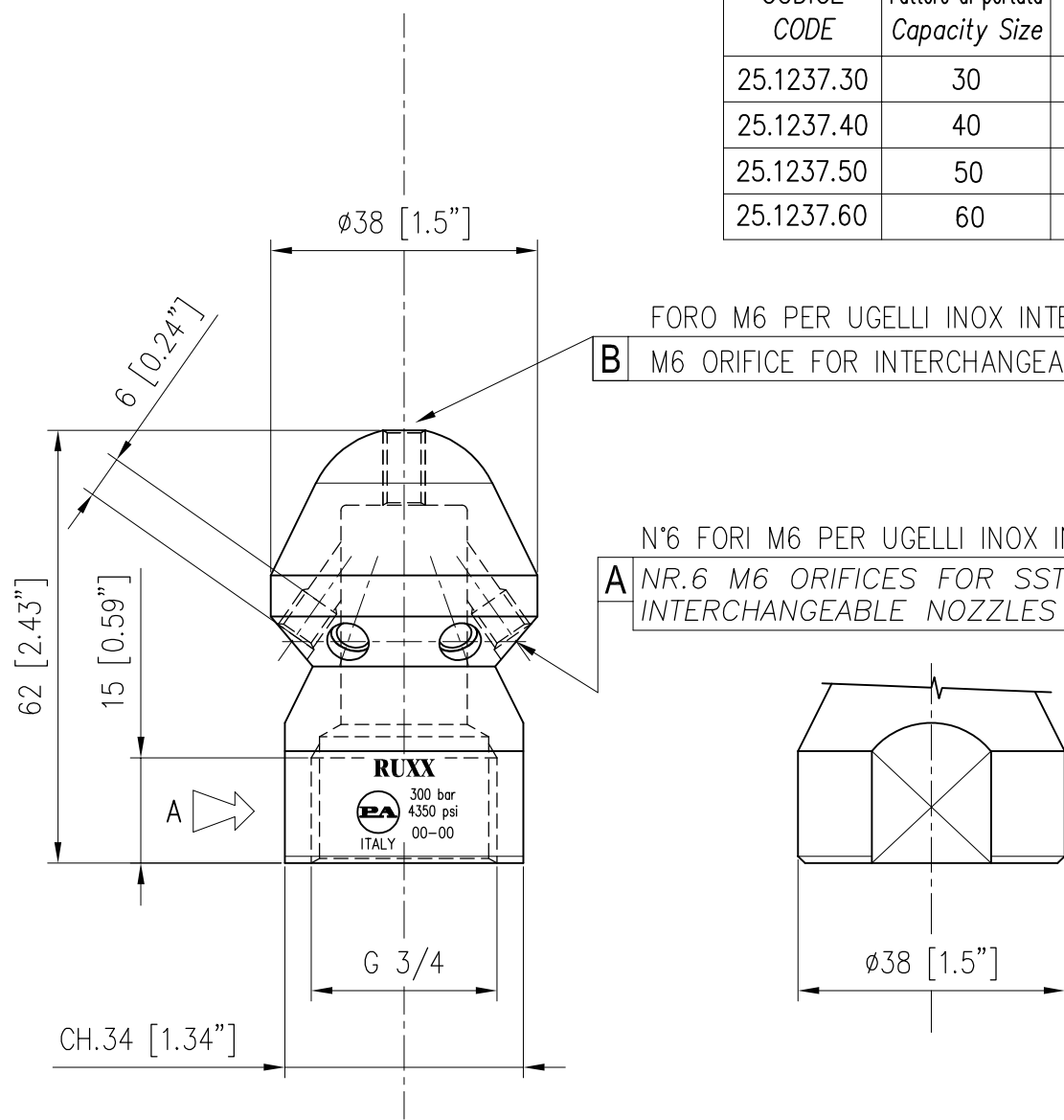


SPECIFICHE TECNICHE
SPECIFICATIONS

| | |
|---------------------------------------------------|------------------------------------------------------------------------------------------------------------------|
| - PRESSIONE NOMINALE RATED PRESSURE | 300 bar – 30 MPa (4350 psi) |
| - TEMPERATURA MASSIMA MAX. WORKING TEMPERATURE | 160° C (320 °F) |
| - MASSA WEIGHT | 242 gr (8.54 oz) |
| - MATERIALE MATERIAL | ACCIAIO CEMENTATO E TEMPRATO E SUPERFICIALMENTE NICHELATO TEMPERED CASEHARDENED STEEL & NICKEL PLATED SURFACE |

MISURE D'INGOMBRO
OVERALL DIMENSIONS

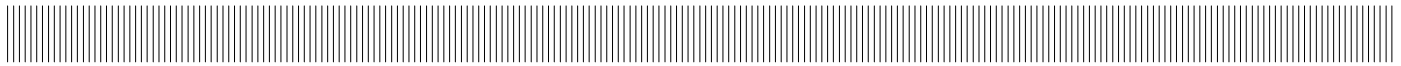
| CODICE CODE | Fattore di portata Capacity Size | A | B |
|----------------|-------------------------------------|--------|--------|
| 25.1237.30 | 30 | ø 1.25 | ø 1.5 |
| 25.1237.40 | 40 | ø 1.5 | ø 1.5 |
| 25.1237.50 | 50 | ø 1.75 | ø 1.75 |
| 25.1237.60 | 60 | ø 1.9 | ø 2.25 |



FORO M6 PER UGELLI INOX INTERCAMBIABILI
B M6 ORIFICE FOR INTERCHANGEABLE SST NOZZLES

N°6 FORI M6 PER UGELLI INOX INTERCAMBIABILI
A NR.6 M6 ORIFICES FOR SST INTERCHANGEABLE NOZZLES

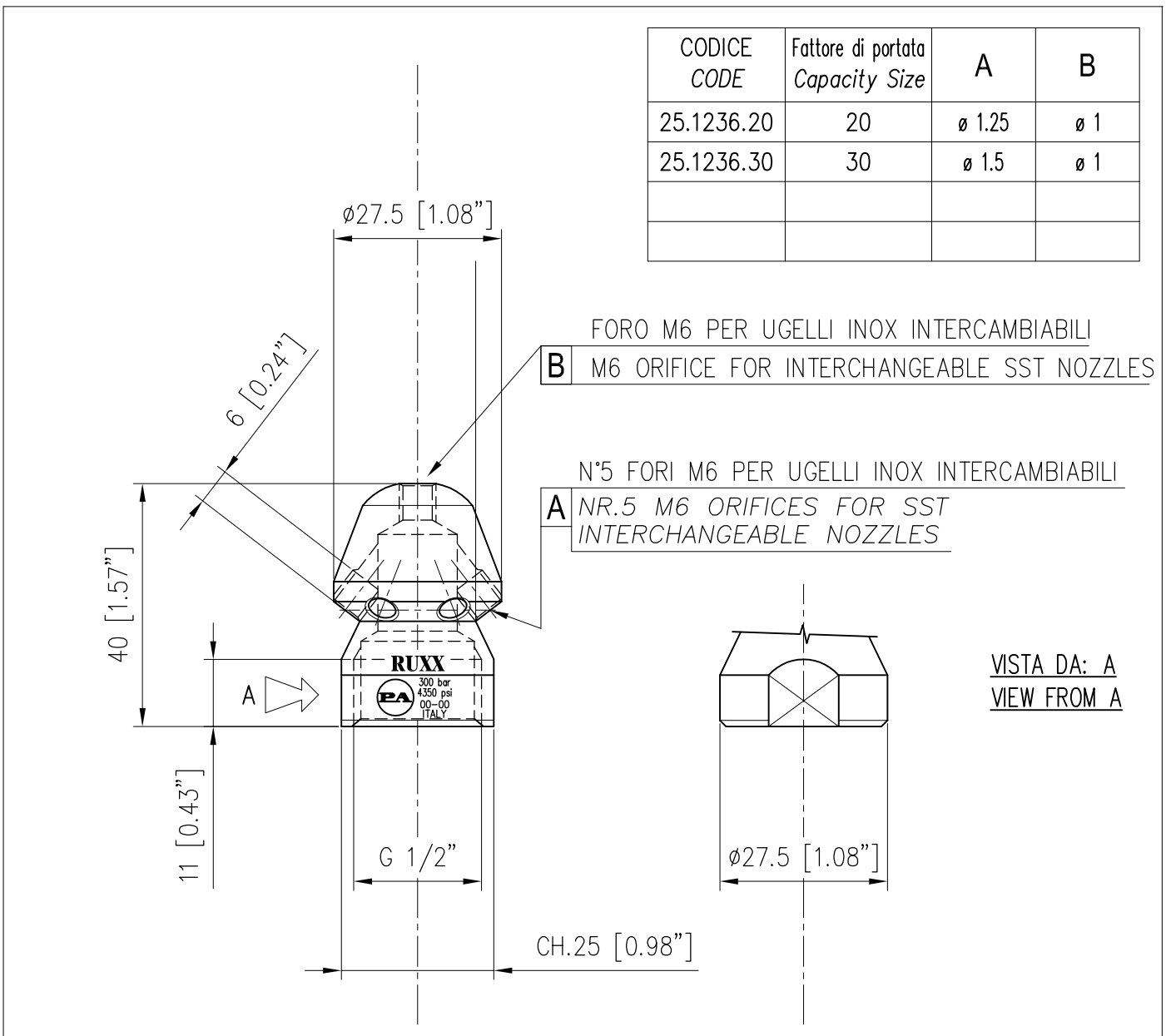
VISTA DA: A
VIEW FROM A



SPECIFICHE TECNICHE
SPECIFICATIONS

| | |
|--------------------------------------------------|------------------------------------------------------------------------------------------------------------------|
| - PRESSIONE NOMINALE RATED PRESSURE | 300 bar – 30 MPa (4350 psi) |
| - TEMPERATURA MASSIMA MAX WORKING TEMPERATURE | 160° C (320 °F) |
| - MASSA WEIGHT | 70 gr (2.47 oz) |
| - MATERIALE MATERIAL | ACCIAIO CEMENTATO E TEMPRATO E SUPERFICIALMENTE NICHELATO TEMPERED CASEHARDENED STEEL & NICKEL PLATED SURFACE |

MISURE D'INGOMBRO
OVERALL DIMENSIONS





P.A. S.p.A.

Via Milano, 13
42048 Rubiera, Reggio Emilia - Italy

Tel +39.0522.623611
Fax +39.0522.629600

info@pa-etl.it

www.pa-etl.it



COMPANY WITH QUALITY MANAGEMENT
SYSTEM CERTIFIED BY DNV
= ISO 9001 =