



ADVANCED FLOORTECH

AF-X2

Floor Scrubber

operation instructions

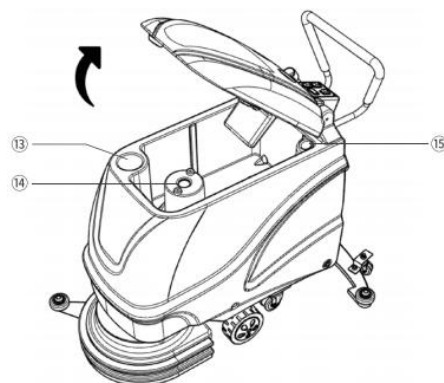
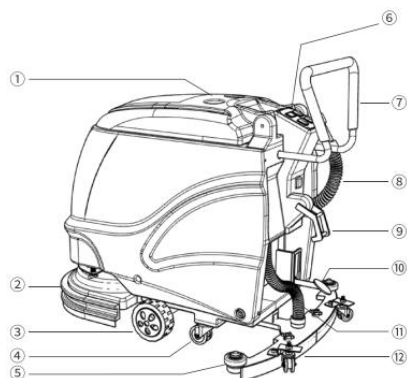
Content

Chapter 1 Description	5
1.1 Content and Purpose	5
1.2 General Instructions	5
1.3 Safety requirements for batteries	6
1.4 General safety regulations	7
Chapter 2 Use of the Machine	8
2.1 Buttons/Panels of the Machine	8
2.2 The operation process of the machine	9
2.3 Precautions for machine operation	11
Chapter 3 Routine Maintenance and Disassembly and Replacement of Wearing Parts	13
3.1 Periodic Inspection	13
3.2 Brush disk replacement, installation and adjustment	13
3.3 Replacement and installation of the absorbent strip	14
3.4 Battery Maintenance	15
3.5 Maintenance and disassembly of suction motor	16
3.6 Fuse removal	17
3.7 Disassembly of the float cage	18
Chapter 4 Analysis Table of Common Problems of Floor Scrubber	18
Chapter 5 Maintenance	19

Warranty20



Parts



- ①Recovery tank cover ②Brush ③Tires ④Universal wheel
- ⑤Anti-collision wheel ⑥Universal wheel ⑦Armrest ⑧Sewage pipe
- ⑨Suction handle ⑩Brush plate lift pedal ⑪Suction pipe ⑫Squeegee
- ⑬Fresh water inlet ⑭Suction motor ⑮Sewage inlet

Performance parameters

Category	Maintenance-free	Liquid-filling	Wire-drawing Type
Cleaning efficiency	2800 m ² /h		
Brush width	18 inch		
Squeegee width	800 mm		
Brush speed	195 rpm		
Brush motor power	550 w		
Suction motor power	550 w		

Category	Maintenance-free	Liquid-filling	Wire-drawing Type
Cleaning efficiency	50 L		
Brush width	50 L		
Squeegee width	24V/100Ah	/	
Brush speed	2-3 h		/
Brush motor power	151 kg	150 kg	111 kg
Suction motor power	1200*800*1050 mm		

Chapter 1 Description

1.1 Content and Purpose

The following content points out potentially dangerous situations, please read these instructions carefully and take necessary precautions. The essence of this machine operator's manual is to prevent injuries, and most accidents are caused at work by not heeding basic safety rules. A careful and careful user is the best guarantee against accidents, even stronger than some other precautions. When using the machine, be sure to pay attention to your surroundings and people nearby, especially children.

1.2 General Instructions

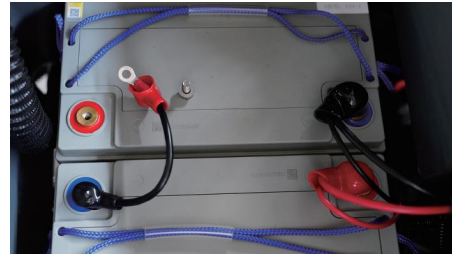
- Before any maintenance and repair, please turn the start switch to the off position, and please remove the key from the main power switch.
- The machine must be used by qualified and authorized personnel. Children and disabled persons are not allowed to use the machine.
- Keep the battery away from sparks, flames and smoke.
- Do not use it in a place where dangerous, flammable or explosive gas, liquid or water vapor is present.
- This machine can clean general garbage. It is strictly forbidden to clean silk ropes, belts, high-temperature sundries, accumulated water, flammable or toxic and harmful substances, so as to avoid corrosion and damage to the water-absorbing strip and brush plate, making them unable to work normally.

- Please keep loose clothing, hair, fingers and other body parts away from the machine's air vents and any moving parts.
- When the machine stops, remember to turn off the power.
- Do not use the machine where the inclination exceeds the rated value of the machine.
- Please do not smoke while charging the battery.
- Do not use the machine in a very dirty area. If the road garbage is thick, please repeat the sweeping work twice or more.
- The machine should be in temperature between -10°C to 40°C .
- When using the machine, the temperature should be between -10°C and 40°C , and the humidity should be between 30% and 95%.
- Do not use the machine as a means of transportation.
- When the machine is not moving forward, do not let the brush continue to rotate to avoid damage to the ground.
- In case of fire, please remember to use powder fire extinguisher instead of water.
- When the machine operation fails, make sure that the failure is not caused by lack of regular maintenance.
- If some parts need to be replaced, you can buy spare parts from the original manufacturer or authorized dealer.
- Confirming that the machine is in proper operation and safe condition, professionals or service center must work in accordance with the maintenance section of this manual.
- Even if the machine is to be dismantled and scrapped, someone should be there to pay attention. Because some harmful substances (such as batteries, waste oil, etc.) have met the standards, they should be sent to a specific center for processing.

1.3 Safety requirements for batteries

- It must be avoided that the battery is in a low voltage state, and the battery should be charged as soon as possible when the voltage is about 21V.
- To avoid leakage of electricity, please keep the battery dry and clean, especially to remove contaminants such as metal dust.
- It is forbidden to put metal parts (such as tools) on the battery to prevent the battery from being short-circuited and burnt out.
- The charging room should be well ventilated.

- Do not connect or remove the battery when the key switch is in the ON position.
- Before removing or installing batteries, first disconnect the negative (-) battery wire, and then disconnect the positive (+) battery wire. When rewiring, be sure to pay attention to the polarity of the battery, as wrong connection will damage electrical components.
- Avoid direct contact between the positive electrode and the negative electrode, because it will cause a large current short circuit, generate high heat and even cause a fire.



1.4 General safety regulations

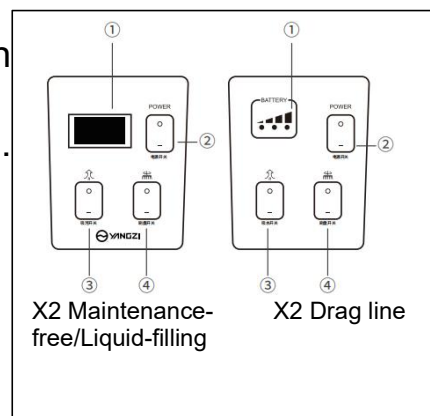
In addition to the provisions made in this manual, the required general safety regulations and accident prevention guidelines must also be observed. Even if you have used a similar sweeper before, please read the instructions carefully. Reading the instructions beforehand will save you a lot of time in the future. It is vital that you become familiar with all accessories and controls and their functions before you start using them. Read through this manual so you don't get scrambled when you turn it on.

Chapter 2 Use of the Machine

2.1 Buttons/Panels of the Machine

2.1.1 The core control keys of the machine

- ① Power/Voltmeter (the display device can display the current battery voltage, please charge when the voltage is lower than 21V).
- ② Power switch
- ③ Suction switch
- ④ Swipe switch



- The charging socket cable requires at least a power cable with a diameter of 4mm.
- Note: The charger is placed on a stable platform, pay attention to moisture-proof, anti-moisture Water and drop resistant.
- The charging time must be guaranteed for **6-10 hours** per charge. Guaranteed electricity The battery is fully charged during operation.
- During the transportation of the charger, please do not carry the power cord by hand to avoid Loose wiring connector.



2.1.3 Adding water to the water tank

- Open the cover of the water tank before using the machine, pour clean water into the water tank, pay attention to the water quality, and prevent the waterway from being blocked.



- When the machine is used to clean the epoxy floor, it is necessary to replace the ordinary brush plate with the needle plate and add a cleaning pad for cleaning, which can effectively protect the ground from wear and tear. For installation, refer to "3.2 Brush plate replacement and installation" for operation.

2.2 The operation process of the machine

Before start

- Before the normal operation of the machine, make sure that the squeegee is installed correctly, and the sewage suction pipe is inserted into the suction port.



Step 1: Unscrew the water-absorbing cross knob,

Pull the handle down and put down the water absorption swaying tail bracket.

Step 2: Thread the Absorbent Fixing Screw through the Tripod.

Step 3: Install the sewage suction pipe.

The squeegee has been debugged at the factory and can be used after installation

Power display

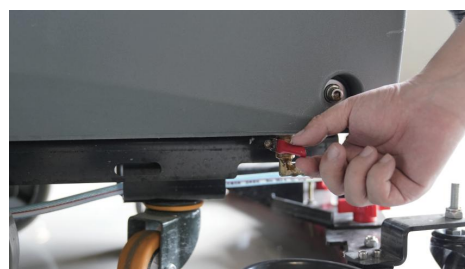
●After turning on the main power switch, the voltmeter will display the battery voltage value. When the voltage is lower than 21V, please charge it first.



Start the machine



Step 1: Lightly step on the foot lever and put down the scrubber;



Step 2: Open the water valve;



Step 3: Turn on the main power switch, keep driving at a constant speed. start the brush switch button and the water absorption motor switch button;



Step 4: Tighten the handlebars and

Stop of the machine

- Close the brush switch button first;
- Close the drain valve;
- Close the switch button of the water suction motor;
- Turn off the main power switch;
- Lightly step on the foot lever to lift the scrubber;
- By pulling the handle, lift the squeegee head.

2.3 Precautions for machine operation

Machine Operation Precautions

- Avoid stopping the machine for a long time in the same place and let the brush clean; this will leave unnecessary marks on the ground.
- When cleaning the floor is epoxy floor, it is necessary to add a cleaning pad to avoid the abrasion of the epoxy floor by the brush.
- The machine is filled with clean water, and attention should be paid to the clean water, so as not to block the water discharge valve with impurities.
- After the machine works for a period of time, it is necessary to discharge the sewage from the sewage tank in time to prevent the sewage from immersing in the suction motor and causing it to burn.
- To clean the ground with serious oil pollution, please put an appropriate amount of detergent into the clean water tank to achieve better cleaning effect, and at the same time drop an appropriate amount of defoamer into the sewage tank to prevent the sewage tank foam from immersing in the suction motor and causing burns.

- After each work is completed, please flush the sewage tank in time to keep the machine well maintained.
- After the operation in winter, please drain the clean water tank in time to avoid freezing and affect the reuse.

Sewage tank discharge sewage

- Turn off the main power to ensure that the machine stops;
- Open the cover of the sewage pipe and discharge the water;
- The sewage tank can be properly rinsed with clean water.



Machine storage and maintenance

If the machine will not be used within 30 days, please fully charge the battery, disconnect the positive and negative output wires of the battery, and place the machine in a dry and clean place.

Chapter 3 Routine Maintenance and Disassembly and Replacement of Wearing Parts

3.1 Periodic Inspection

Regular maintenance and inspection		Intervals (h)				
		4	50	100	200	500
1	Battery level detection					
2	Motor carbon brush inspection					
3	Whether the main brush is wired, the silk is entangled					
4	Check for debris in the tank					
5	Check the buttons and electronics on the control panel					
6	Check the brush for wear					
7	Check the filter for impurities					
8	Check the sprinkler joint for leaks					

3.2 Brush disk replacement, installation and adjustment

- Park the machine on a flat ground, turn off the main power switch, and ensure that the machine is in a power-off state;
- Lightly step on the foot lever to keep the brush disc lifted;
- Facing the direction of the brush plate, hold the brush, rotate it to the right, and the brush plate can be removed; rotate it to the left to complete the installation.

Note: When installing, make sure the flange is aligned with the brush plate button holes.



- Replacement of the dial: The dial can be purchased through our company's operating platform. Body replacement is to place the cleaning pad on the bottom of the dial and make it fit with the dial solid and neat fit. Please refer to the previous article for the installation of the dial on the machine;



- Brush plate adjustment: When the machine is in the process of cleaning and driving, when the left deviation occurs, it needs to be loosen the direction screw; on the contrary, when the right deviation occurs, the direction screw needs to be properly tightened.

Principle: Dynamic Balance



3.3 Replacement and installation of the absorbent strip

- Place the machine on a flat ground, turn off the main power switch, and ensure that the machine is powered off.

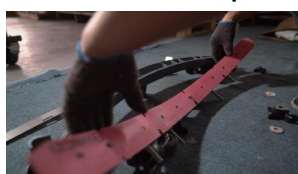
- Put down the squeegee through the handle; after rotating the plastic handle in the opposite direction, take out the squeegee assembly.



- Unscrew the squeegee assembly nut, remove the bottom plate of the squeegee assembly, and remove the front and rear rubber strips of the squeegee.



- Install the squeegee blade.



Step 1: Align the holes of the front rubber strip with the protrusions of the plastic assembly of the squeegee;



Step 2: Fix the plastic components on the cast aluminum base plate of the squeegee;



Step 3: Align the holes of the rear rubber strip with the plastic components of the squeegee to the protrusions;



Step 4: Use both ends of the bead to snap together;



Step 5: Tighten the Nuts.

3.4 Battery Maintenance

The power system of this washing machine is powered by two 12V maintenance-free lead-acid batteries in series, and the system voltage is 24V.

- When the machine works for a period of time, the battery power drops, and when the last bar of the power display meter is flashing, it means that the power is insufficient and needs to be charged in time;
- When maintaining the battery, please wear protective gloves to avoid contact with the acid substance of the battery;
- Check whether the battery connecting wire is worn and the contact parts are loose, and replace it if necessary;
- The terminal of the battery should be kept clean and dry, and there should be no debris and dust covering it, which is extremely unfavorable to the battery, and will burn the battery in severe cases.

!! Notice

- ◆ In order to make the battery have a long service life, it should be charged in time after the machine is finished, and deep discharge is strictly prohibited.
- ◆ The correct charging method of the lead-acid battery: first insert the battery, then plug in the mains; when fully charged, first cut off the mains, and then pull out the

!! Warn

During the use of the battery, the battery is deeply discharged, the battery capacity will be reduced, and the lifespan will be shortened.

3.5 Maintenance and disassembly of suction

motor

- After the daily use of the machine, please discharge the sewage from the sewage tank in time to prevent the water level from being too high, being sucked into the suction motor and burning the motor.
- During the use of the machine, if there is too much foam, it is recommended to use a defoamer solution to prevent the foam from entering the filter screen and into the suction motor, causing the motor to burn.

●Removal of suction motor: The suction motor is fixed at the bottom of the clean water tank. Before removing:

1. First empty the machine with clean water, turn off the main power switch, and keep the machine powered off;
2. Turn the clean water tank back and pull out the suction motor pair socket;
3. Loosen the fixing nut of the suction motor and take out the suction motor.



3.6 Fuse removal

In the daily use of the machine, if the fuse is burned out, or the fuse needs to be checked due to machine failure, refer to the following steps to operate:

The first step is to open the water tank, drain the sewage and clean water, and open the outer cover of the electrical box.

In the second step, use a wrench to unscrew the fuse fastening screw and remove the fuse.

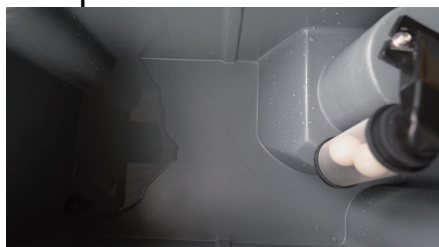
The third step is to confirm the fuse model and replace the damaged fuse.



3.7 Disassembly of the float cage

In the daily use of the machine, because the floating ball cage exists in the sewage tank, and when the sewage is too full, the floating ball will be sucked at the air outlet by the suction of the suction motor, and the customer needs regular maintenance. You can refer to the following steps to operate.

Before dismantling the float cage, drain the sewage and open the cover of the sewage tank. The floating ball cage is an embedded rubber structure, and the customer can tilt it to one side and pull it out with force. Refer to the image below.



Chapter 4 Analysis Table of Common Problems of Floor Scrubber

Problem	Cause	Solution
Machine is inoperable	Battery dead	Battery charging
	Battery failure	Replace the battery
	Battery wiring loose	Tighten the battery wiring
	Main fuse blown	Replace the fuse
Brush motor does not work	The brush head is lifted off the ground	Lower the brush head
	Brush disc motor circuit breaker tripped	Reset brush circuit breaker button
	Main brush switch failure	Please contact the service center
	Motor carbon brush wear	Please contact the service center

Fan not working	Suction motor noise is too loud	Please contact the service center
	Suction motor burned out	Replace the suction motor
	Carbon brush wear	Please contact the service center
Little or no water flow out	Clogged water tank drain valve or water pipe	Clean or replace the solution tank drain valve
	Drain valve closed	Open the drain valve
Inefficient recycling of sewage	Recovery tank full	Drain the recovery tank
	Absorbent strip wear	Replace the absorbent strip
	Suction motor failure	Replace the suction motor
	Damaged recovery tank seal	Replace the seal
Shorter working hours	The voltages of the two batteries are not equal	Please contact the service center
	Battery charging failure	Repair or replace the charger

Chapter 5 Maintenance

Machine life and operational safety must be ensured by proper and routine maintenance of the machine. The routine maintenance requirements are tabulated below. Under suitable working conditions, the maintenance interval can be changed, which must be determined by the professional responsible for the maintenance.

To perform maintenance operations, the machine must be stopped (remove the start switch key), so please read the safety section of the manual carefully.

Conditions of Use

- Ambient temperature: $-10^{\circ}\text{C} \sim 40^{\circ}\text{C}$
- c● The relative humidity of the air: $5\% \sim 70\%$
- No conductive dust, no explosion hazard environment
- An environment that does not contain gases or vapors that corrode metals
- Indoor use, ventilated, non-vibration environment, front and rear space at least 300mm

Maintenance schedule

Maintenance operation	On handover	Every 10h	Every 50h	Every 100h	Every 200h	Every 500h
Brush Disc Height Adjustment Check						
Whether the brush plate is wired or entangled						
Squeegee Cleaning Complete Inspection						
Tank cover seal inspection						
Screw and nut tightening inspection						
Check the wear of the brush disc						
Replacement of absorbent strips						
Main brush and drive system motor carbon brush inspection and replacement						

Warranty

Warranty is not covered under the following conditions of use:

- Failure to perform maintenance in accordance with the maintenance manual may result in mechanical damage or failure.
- The mechanical appearance or structure is obviously damaged due to improper operation.
- Disassembly or modification not approved by the original factory.
- Damage due to weather or force majeure.
- More than 1 year of warranty or more than 1500 hours of use.

Warranty card

Name		Tell	
Postal address		Bill No	
Purchase time		Number	
Product model		Date	
Replace			

Fault description

Warranty Conditions

1. Within the day when the user purchases this product, the motor is guaranteed for one year (more than 7 days from the date of purchase, no replacement, only warranty);
2. Before using the equipment, you must understand the instructions and safety instructions;
3. Man-made damage to the warranty parts will not be guaranteed within the warranty;
4. During the warranty period, users who do not follow the operating instructions or those who dismantle and repair by themselves will not be covered by the warranty (if repair is required, a cost will be charged);
5. The buyer can go to the designated point of the seller for maintenance with the invoice, or send the machine back to our company for repair (return freight and insurance premiums are paid by themselves).