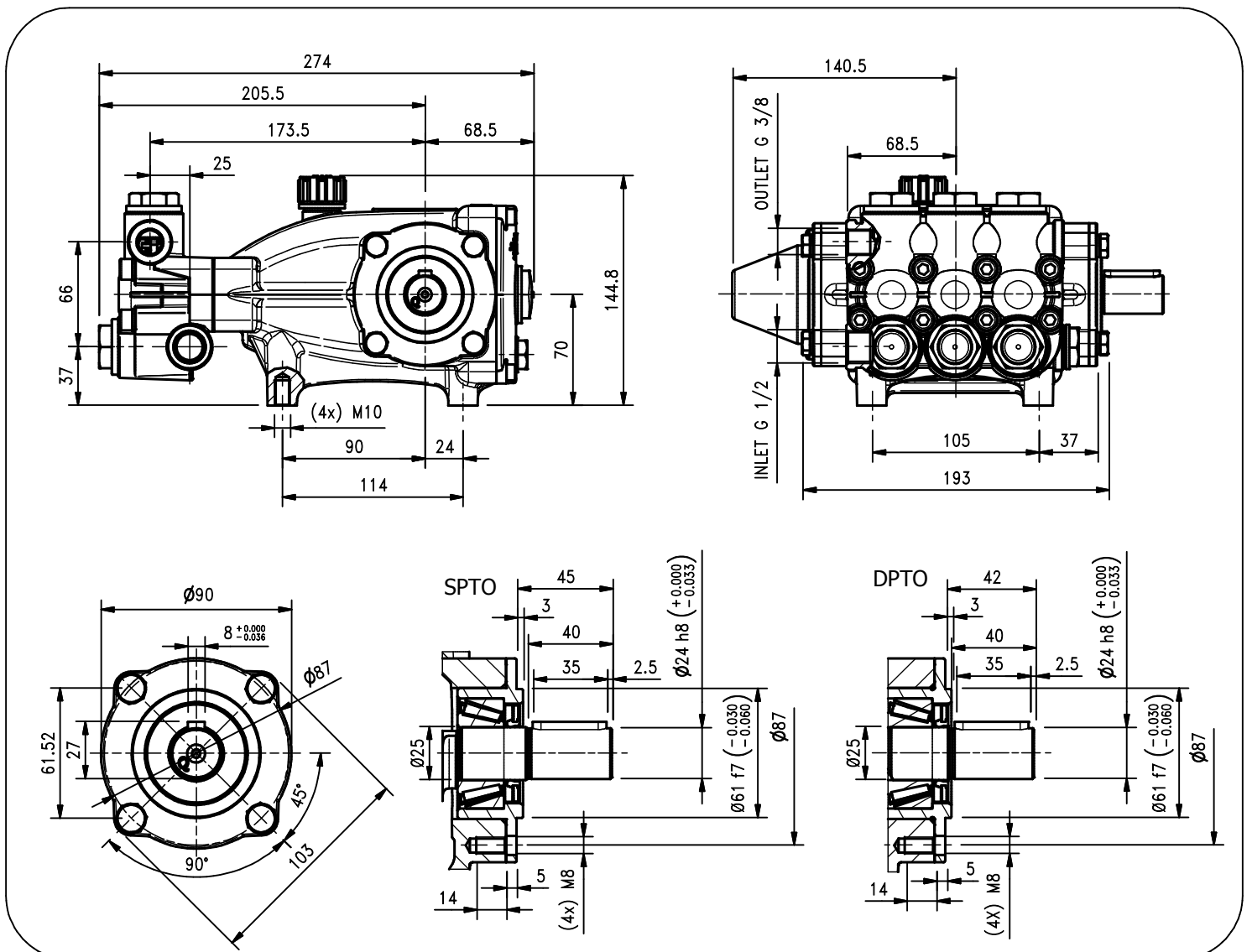


Caratteristiche Tecniche NMT Serie 2011 Series *Technical Characteristics*

Pump Pompa	Pressure Pressione		Volume Portata				RPM giri/min		Power Potenza			
			l/min		GPM				HP		kW	
	bar	PSI	50 Hz	60 Hz	50 Hz	60 Hz	50 Hz	60 Hz	50 Hz	60 Hz	50 Hz	60 Hz
NMT1220S	200	3000	12.5	15.0	3.3	4.0	1000	1200	6.4	7.7	4.7	5.7
NMT1520S	200	3000	15.0	18.0	4.0	4.7	1000	1200	7.7	9.2	5.7	6.8
NMT1220	200	3000	12.5	15.0	3.3	4.0	1450	1740	6.4	7.7	4.7	5.7
NMT1520	200	3000	15.0	18.0	4.0	4.7	1450	1740	7.7	9.2	5.7	6.8
NMT1820	200	3000	18.0	21.4	4.8	5.6	1450	1740	9.2	11.0	6.8	8.1
NMT2120	200	3000	21.0	25.0	5.5	6.6	1450	1740	10.7	12.8	7.9	9.4

Dimensioni d'ingombro

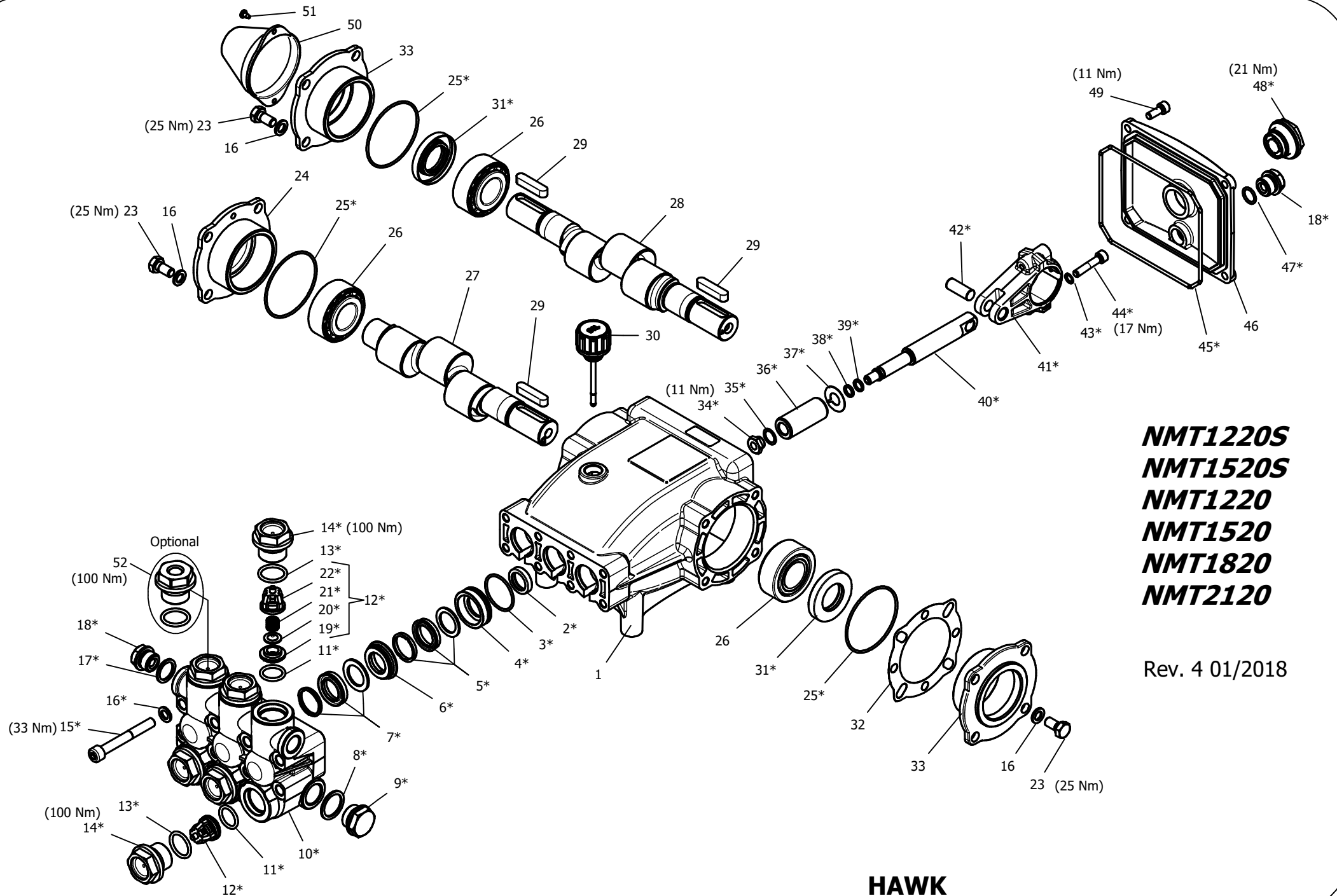
Overall dimensions



Lubrificazione: Olio SAE 10W-40
 Capacità: 0.7 Litri
 Peso pompa: 10.3 Kg

rev. 4 01-2018

Lubrication: SAE 10W-40 Oil
 Capacity: 0.7 Litres
 Weight: 10.3 Kg



NMT1220S
NMT1520S
NMT1220
NMT1520
NMT1820
NMT2120

Rev. 4 01/2018

HAWK
Pompe NMT serie 2011
NMT Pumps 2011 series

NMT 2011 SERIES

ORDINARY MAINTENANCE KIT / KIT MANUTENZIONE ORDINARIA

KIT	Item Pos.	Part Number Codice	Description	Descrizione	Q.TY by Pump Q.TA per Pompa	NMT1220SRL	NMT1520SRL	NMT1220RL	NMT1520	NMT1520RL	NMT1820RL	NMT2120	NMT2120RL
A	3- 5- 7	1.099-747.0	PLUNGER SEALS DIA. 20 mm	GUARNIZIONI PISTONE Ø20	1								
B	11- 12- 13 (19- 20- 21 22)	1.905-543.0	COMPLETE VALVE	VALVOLA COMPLETA	1	•	•	•	•	•	•	•	•

EXTRAORDINARY MAINTENANCE KIT / KIT MANUTENZIONE STRAORDINARIA

KIT	Item Pos.	Part Number Codice	Description	Descrizione	Q.TY by Pump Q.TA per Pompa	NMT1220SRL	NMT1520SRL	NMT1220RL	NMT1520	NMT1520RL	NMT1820RL	NMT2120	NMT2120RL
C	3- 4- 5- 6- 7	1.905-578.0	COMPLETE SEALS PACKING DIA. 20 mm	PACCO COMPLETO GUARNIZIONI PISTONE Ø20	1								
D	34- 35- 36 37- 38- 39	1.099-749.0	PLUNGER DIA. 20 mm	PISTONE Ø20	3								
E	2	1.099-751.0	PLUNGER OIL SEALS	ANELLI TENUTA OLIO ASTA	1								
F	18- 25- 31 45- 47- 48	1.905-542.0	KIT CRANKCASE SEALS	KIT TENUTE CARTER	1								
G	3- 4- 5- 6- 7 8- 9- 10- 11 12- 13- 14 15- 16- 17 18 (19- 20 21- 22)	1.099-752.0	COMPLETE MANIFOLD	TESTATA COMPLETA	1	•	•	•	•	•	•	•	•
H	34- 35- 38 39- 40- 41 42- 43- 44	1.905-544.0	CONNECTING ROD PLUNGER ROD ASSY	PREMONTATO ASTA-BIELLA PISTONE	3								
I	13- 14	1.904-251.0	VALVE PLUG ASSY	PREMONTATO TAPPO VAM	6								

“Q.TY by Pump” => Necessary quantity to repair one pump
 “Q.TA’ per Pompa” => Quantità necessaria per riparare una pompa

OPTIONAL

Item Pos.	Part Number Codice	Description	Descrizione	Q.TY by Pump Q.TA per Pompa	NMT1220SRL	NMT1520SRL	NMT1220RL	NMT1520	NMT1520RL	NMT1820RL	NMT2120	NMT2120RL
52	9.853-426.0	THREADED BRASS PLUG G1/4	PREMONTATO TAPPO FORATO	1	•	•	•	•	•	•	•	•

TOOL KIT

Part Number Codice	Description	Descrizione	Q.TY by Pump Q.TA per Pompa	NMT1220SRL	NMT1520SRL	NMT1220RL	NMT1520	NMT1520RL	NMT1820RL	NMT2120	NMT2120RL
1.099-667.0	TOOL-KIT	TOOL-KIT	1	•	•	•	•	•	•	•	•
1.904-414.0	OIL SEAL EXTRACTOR TOOL-KIT	TOOL-KIT ESTRAZIONE PARAOLIO	1	•	•	•	•	•	•	•	•

IMPORTANT

IMPORTANTE

* Part available **ONLY** in kit
Disponibile **SOLO** in kit

(...) Parts pre-assembled
Parti pre-assemblate

PARTS LIST LISTA PARTI

Item Pos	Part Number Codice	Description	Descrizione	KIT	Q.TY Q.TÀ	NMT1220SRL	NMT1520SRL	NMT1220RL	NMT1520	NMT1520RL	NMT1820RL	NMT2120	NMT2120RL
1	9.850-375.0	CRANKCASE	CARTER		1								
2*		PLUNGER OIL SEAL	ANELLO RADIALE	E	3								
3*		"O" RING Ø1.78X31.47	"O" RING Ø1.78X31.47	A-C-G	3								
4*		PRESSURE RING 20MM	PRESSORE "U" Ø20	C-G	3								
5*		LOW PRESSURE "U" SEAL, DIA.20MM	ANELLO TENUTA "U" Ø20	A-C-G	3								
6*		INTERMED. RING 20MM	DIFFUSORE INTER. Ø20	C-G	3								
7*		HIGH PRESSURE "U" SEAL, DIA.20MM	ANELLO TENUTA "U" Ø20	A-C-G	3								
8*		COPPER WASHER G1/2	GUARNIZIONE RAME	G	1								
9*		PLUG G1/2	TAPPO G1/2	G	1								
10*		MANIFOLD HOUSING	TESTATA	G	1								
11*		"O" RING Ø2.62X17.13	"O" RING Ø2.62X17.13	B-G	6								
12*		VALVE ASSEMBLY	VALVOLA PREMONTATA	B-G	6	•	•	•	•	•	•	•	•
13*		"O" RING Ø2.62X20.29	"O" RING Ø2.62X20.29	B-G-I	6								
14*		VALVE PLUG	TAPPO VALVOLA	G-I	6								
15*		MANIFOLD STUD BOLT M8X65 GEOMET	VITE M8X65 GEOMET	G	8								
16*		WASHER Ø8,5	ROSETTA Ø8.5	G	16								
17*		COPPER WASHER G3/8	GUARNIZIONE RAME	G	1								
18*		PLUG G3/8	TAPPO G3/8	G-F	2								
19*		VALVE SEAT	SEDE VALVOLA	B-G	6								
20*		VALVE PLATE	PIATTELLO VALVOLA	B-G	6								
21*		VALVE SPRING	MOLLA VALVOLA	B-G	6								
22*		VALVE CAGE	GABBIA VALVOLA	B-G	6								
23	9.851-501.0	HEXAGONAL SCREW M8X18	VITE M8X18		8								
24	9.850-626.0	CLOSED BEARING HOUSING	FLANGIA CHIUSA		→	1	1	1	0	1	1	0	1
25*		"O" RING Ø1.78X60.05	"O" RING Ø1.78X60.05	F	2	•	•	•	•	•	•	•	•
26	9.850-349.0	ROLLER BEARING 33205	CUSCINETTO A RULLI 33205		2								
27	9.850-175.0	SINGLE - ENDED SHAFT	ALBERO SEMPLICE P.D.F.		1			•					
	9.850-177.0	" " "	" " "		1				•				
	9.850-178.0	" " "	" " "		1	•				•			
	9.850-179.0	" " "	" " "		1							•	
	9.850-180.0	" " "	" " "		1		•						
28	9.850-258.0	DOUBLE - ENDED SHAFT	ALBERO DOPPIA P.D.F.		1							•	
	9.850-259.0	" " "	" " "		1			•					
29	9.850-446.0	CRANKSHAFT KEY	CHIAVETTA		→	1	1	1	2	1	1	2	1
30	9.851-286.0	OIL DIP STICK	TAPPO LIVELLO OLIO		1	•	•	•	•	•	•	•	•
31*		CRANKSHAFT SEAL	ANELLO RADIALE	F	→	1	1	1	2	1	1	2	1
32	9.850-547.0	SHIM	DISTANZIALE		1	•	•	•	•	•	•	•	•
33	9.850-625.0	BEARING HOUSING	FLANGIA		→	1	1	1	2	1	1	2	1

Item Pos	Part Number Codice	Description	Descrizione	KIT	Q.TY Q.TÀ	NMT1220SRL	NMT1520SRL	NMT1220RL	NMT1520	NMT1520RL	NMT1820RL	NMT2120	NMT2120RL
34*		PLUNGER NUT	DADO PISTONE	D-H	3								
35*		COPPER SPACER Ø 11.2/15X0.5	ROSETTA RAME Ø 1.2/15X0.5	D-H	3								
36*		PLUNGER 20MM	PISTONE Ø20	D	3								
37*		COPPER SPACER Ø 11.3/24X0.5	ROSETTA RAME Ø 1.3/24X0.5	D	3								
38*		"O" RING Ø1.78X7.66	"O" RING Ø1.78X7.66	D-H	3								
39*		TEFLON RING	ANELLO ANTIESTRUSIONE	D-H	3								
40*		PLUNGER ROD	ASTA PISTONE	H	3								
41*		CONNECTING ROD	BIELLA	H	3	•	•	•	•	•	•	•	•
42*		CONNECTING ROD PIN	SPINOTTO	H	3								
43*		SPRING WASHER Ø6	ROSETTA ELASTICA Ø6	H	6								
44*		CONNECTING ROD SCREW M6X30	VITE M6X30	H	6								
45*		"O" RING Ø 2.62X126.67	"O" RING Ø 2.62X126.67	F	1								
46	9.850-388.0	CRANKCASE COVER	COPERCHIO POSTERIORE		1								
47*		"O" RING Ø1.78X14	"O" RING Ø1.78X14	F	1								
48*		SIGHT GLASS, G3/4	SPIA LIVELLO OLIO G3/4	F	1								
49	9.851-474.0	SCREW M6X16	VITE M6X16		4								
50	9.850-442.0	SHAFT PROTECTOR	CAPPELLOTTO PROTEZIONE		1				•			•	
51	9.851-528.0	SHAFT PROTECTOR SCREW	VITE CAPPELLOTTO		2								