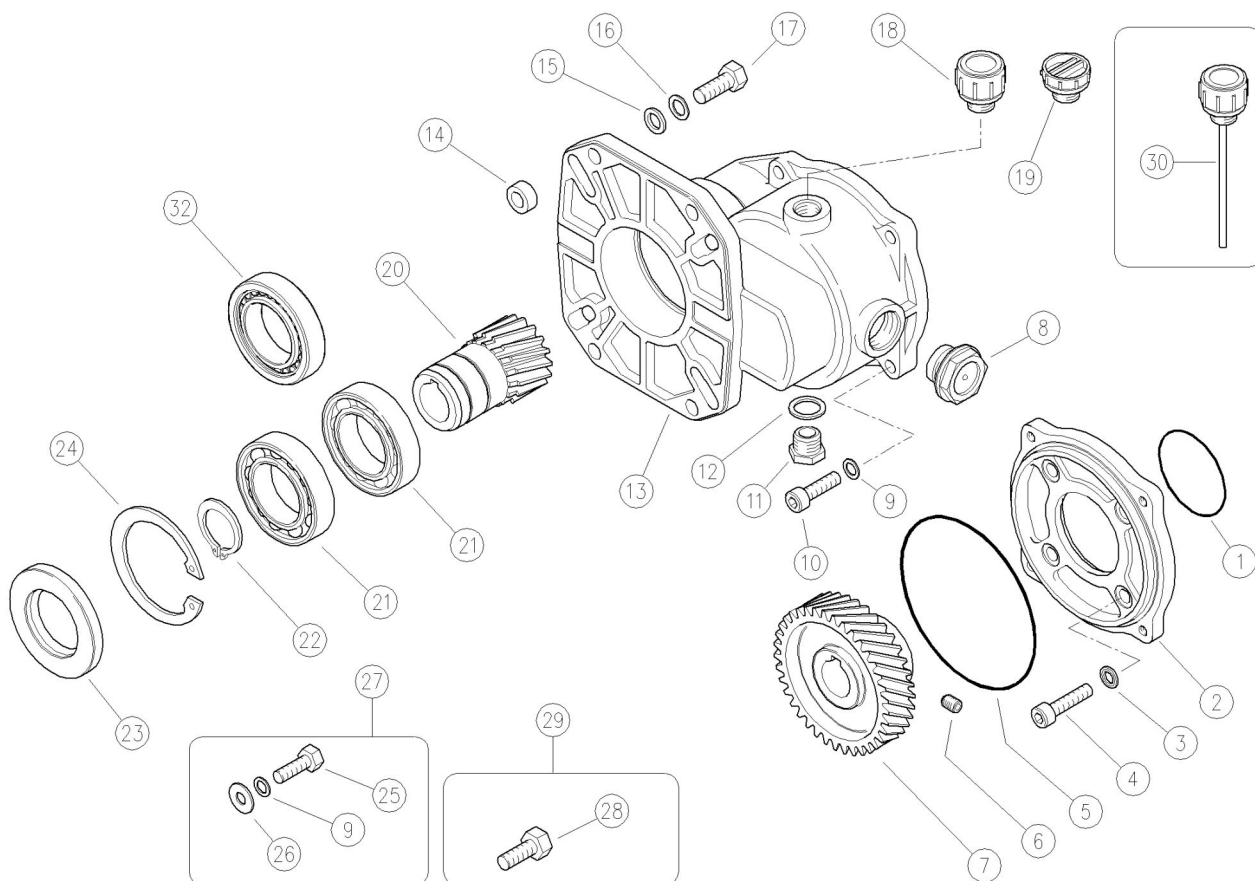


50.0060.00 B24 Gear box 18-24 HP r.2,176:1
 50.0062.00 B24 Gear box 18-24 HP r.2,176:1

50.0071.00 B31 Gear box 24-31 Hp-r.2,176:1
 50.0071.30 B31 Gear box 24-31 Hp-r.2,176:1-30mm



K1K2K3K4

1	10.3210.56R	O-ring, 2,62x56,82 mm	1				10
2	50.0002.44R	Gearbox flange, alum.	1				5
3	14.4098.00R	Sealing washer, d.8 mm	4				10
4	16.1958.31R	Screw, DIN912 M8x30 mm z.pl.	4				4
5	10.3212.95R	O-ring, 3,0 x 112, mm	1				10
6	16.2223.00R	Set screw, DIN916 M8x10 mm	1				10
7	50.0003.65R	Ring gear, Z.37 d.24mm (1,2,3)	1				1
7	50.0072.65R	Ring gear, Z.37 d.30mm (4)	1				1
8	15.3734.00R	See-through oil plug 3/4" Bsp+seal	1				5
9	14.3652.00R	Safet. washer, 8,4x13x0,8 mm	8				10
10	16.1958.26R	Screw, DIN912 M8x25 mm z.pl.	4				4
11	60.0028.31R	Plug,brass 3/8 Bsp,hex.19	1				25
12	14.4042.00R	Washer, 16,7x22x1,5 mm alu.	1				25
13	50.0001.44R	Gearbox case, alum.	1				1
14	50.0008.31R	Spacer ring, 10,3x18x6 mm brass	4				10
15	14.3798.00R	Washer, 10,5x17x2 mm	4				10
16	14.3653.00R	Safet. washer, 10,5x16x1 mm	4				10

K1K2K3K4

17	16.2010.00R	Screw, DIN933 3/8"UNCx1"1/4 z.pl.	4				4
18	15.3726.00R	Oil plug 3/8" Bsp+seal	1				5
19	15.3725.00R	Plug, 3/8" Bsp plast.	1				5
20	50.0006.21R	Pinion, Z.17 d.1" (25,4mm) complete (2)	1				1
20	50.0007.21R	Pinion, Z.17 d.1"1/8 (28,6mm) complete	1				1
21	11.4441.68R	Ball-bearing, 40x68x15 mm (1,2)	2				2
21	11.4441.68R	Ball-bearing, 40x68x15 mm (3,4)	1				2
22	10.1040.00R	Snap ring, E 40	1				5
23	10.2040.72R	Seal ring, 40x72x7 mm	1				5
24	10.1072.00R	Snap ring, I 72	1				5
25	16.2009.00R	Screw, DIN933 5/16"UNFx1" z.pl.	4				4
26	14.3572.00R	Washer, 8,4x21x1,5 mm	4				10
27	50.0010.24	Lock-Kit, 127mm,5/16"screws+washers	1				1
28	16.2035.00R	Screw, DIN933 M10x35 mm z.pl. **	4				10
29	50.0011.24	Lock-Kit, 165mm, M10 screws **	1				1
30	15.3728.00R	Oil plug +dipstick **	1				3
32	11.4445.68R	Bearing, 40x68x15 mm (3,4)	1				2

**

(1) 50.0060.00 (2) 50.0062.00 (3) 50.0071.00 (4) 50.0071.30