

**MASSIMA TEMPERATURA INGRESSO ACQUA**  
MAX INPUT WATER TEMPERATURE

**65°C**  
**149° F**

**PRESSIONE MINIMA INGRESSO**  
MINIMAL INPUT PRESSURE

< 50 lt	> 50 lt
0.2 BAR	1 BAR
2.9 PSI	14.5 PSI

**INGRESSO**  
INLET

**G 3/4"**

**USCITA**  
OUTLET

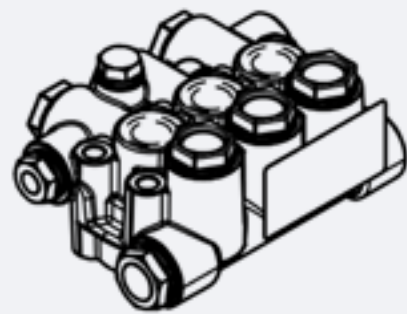
**G 1/2"**



GM	PORTATA FLOW RATE		GIRI ROUNDS	PRESSIONE MASSIMA MAX PRESSURE		CAPACITÀ OLIO OIL CAPACITY		PESO WEIGHT	
	Lt/min	Gpm	Rpm	Bar	Psi	Lt	Gal	Kg	Lbs
	50HZ	18.00 » 63.00	4.75 » 16.64	1450	150	2175.57	1.2	0.31	19
60Hz	21.60 » 75.60	5.70 » 19.97	1740	300	4351.13				

Codice Code	Modello Model	Portata / Flow Rate lt/min - gpm		Pressione Pressure		Potenza Power		Potenza / Power		Albero Shaft Ø: 24	Ø Pistone Plunger		
		1450 rpm	1740 rpm	Bar	Psi	50Hz		60Hz					
						HP	Kw	HP	Kw				
P3.030.001	GM18300R	18.00	4,76	21.60	5,71	300.00	4351.13	14.03	10.45	16.83	12.54	L: 45mm Destra / Right	20
P3.030.002	GM22300R	22.00	5,81	26.40	6,97	300.00	4351.13	17.14	12.77	20.57	15.33	L: 45mm Destra / Right	20
P3.030.003	GM25300R	25.00	6,60	30.00	7,93	300.00	4351.13	19.48	14.51	23.38	17.42	L: 45mm Destra / Right	20
P3.030.005	GM27300R	27.00	7,13	32.40	8,56	300.00	4351.13	21.04	15.67	25.25	18.81	L: 55mm Destra / Right	20
P3.030.006	GM30250R	30.00	7,93	36.00	9,51	250.00	3625.94	19.48	14.51	23.38	17.42	L: 45mm Destra / Right	22
P3.030.008	GM33250R	33.00	8,72	39.60	10,46	250.00	3625.94	21.43	15.96	25.71	19.16	L: 55mm Destra / Right	22
P3.030.009	GM35170R	35.00	9,25	42.00	11,10	170.00	2465.64	15.45	11.51	18.55	13.82	L: 45mm Destra / Right	25
P3.030.010	GM40170R	40.00	10,57	48.00	12,68	170.00	2465.64	17.66	13.16	21.19	15.79	L: 45mm Destra / Right	25
P3.030.012	GM43170R	43.00	11,36	51.60	13,63	170.00	2465.64	18.99	14.15	22.78	16.97	L: 55mm Destra / Right	25
P3.030.013	GM50150R	50.00	13,21	60.00	15,85	150.00	2175.57	19.48	14.51	23.38	17.42	L: 45mm Destra / Right	28
P3.030.014	GM54150R	54.00	14,27	64.80	17,12	150.00	2175.57	21.04	15.67	25.25	18.81	L: 55mm Destra / Right	28
P3.030.034	GM63150R	63.00	16,64	75.60	19,97	150.00	2175.57	24.54	18.30	29.45	21.96	L: 55mm Destra / Right	28
P3.030.015	GM18300L	18.00	4,76	21.60	5,71	300.00	4351.13	14.03	10.45	16.83	12.54	L: 45mm Sinistra / Left	20
P3.030.016	GM22300L	22.00	5,81	26.40	6,97	300.00	4351.13	17.14	12.77	20.57	15.33	L: 45mm Sinistra / Left	20
P3.030.017	GM25300L	25.00	6,60	30.00	7,93	300.00	4351.13	19.48	14.51	23.38	17.42	L: 45mm Sinistra / Left	20
P3.030.019	GM27300L	27.00	7,13	32.40	8,56	300.00	4351.13	21.04	15.67	25.25	18.81	L: 55mm Sinistra / Left	20
P3.030.020	GM30250L	30.00	7,93	36.00	9,51	250.00	3625.94	19.48	14.51	23.38	17.42	L: 45mm Sinistra / Left	22
P3.030.022	GM33250L	33.00	8,72	39.60	10,46	250.00	3625.94	21.43	15.96	25.71	19.16	L: 55mm Sinistra / Left	22
P3.030.023	GM35170L	35.00	9,25	42.00	11,10	170.00	2465.64	15.45	11.51	18.55	13.82	L: 45mm Sinistra / Left	25
P3.030.024	GM40170L	40.00	10,57	48.00	12,68	170.00	2465.64	17.66	13.16	21.19	15.79	L: 45mm Sinistra / Left	25
P3.030.026	GM43170L	43.00	11,36	51.60	13,63	170.00	2465.64	18.99	14.15	22.78	16.97	L: 55mm Sinistra / Left	25
P3.030.027	GM50150L	50.00	13,21	60.00	15,85	150.00	2175.57	19.48	14.51	23.38	17.42	L: 45mm Sinistra / Left	28
P3.030.028	GM54150L	54.00	14,27	64.80	17,12	150.00	2175.57	21.04	15.67	25.25	18.81	L: 55mm Sinistra / Left	28
P3.030.035	GM63150L	63.00	16,64	75.60	19,97	150.00	2175.57	24.54	18.30	29.45	21.96	L: 55mm Sinistra / Left	28

## RICAMBI GM Ø20 / SPARE PARTS GM Ø20



**KIT - P9.040.009**

TESTATA COMPLETA  
COMPLETE HEAD OF THE PUMP



**KIT - P9.039.002**

ANELLI TENUTA OLIO ASTA  
KIT OIL SEALS



**KIT - P9.003.005**

GUARNIZIONE PISTONE  
KIT PLUNGER SEALS



**KIT - P9.004.009**

PISTONE DIAMETRO 20  
KIT CERAMIC PISTON DIAMETER 20



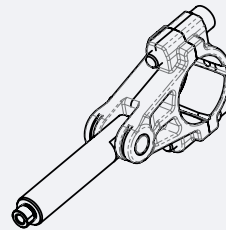
**KIT - P9.001.007**

VALVOLA COMPLETA  
COMPLETE VALVE



**KIT - P9.003.019**

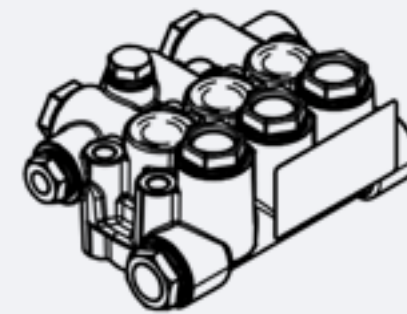
GUARNIZIONE PISTONE - PACCO COMPLETO  
KIT COMPLETE SEALS



**KIT - P9.041.005**

PREMONTATO BIELLA - ASTA  
PREASSEMBLED CONNECTING ROD

## RICAMBI GM Ø25 / SPARE PARTS GM Ø25



**KIT - P9.040.011**

TESTATA COMPLETA  
COMPLETE HEAD OF THE PUMP



**KIT - P9.039.002**

ANELLI TENUTA OLIO ASTA  
KIT OIL SEALS



**KIT - P9.003.009**

GUARNIZIONE PISTONE  
KIT PLUNGER SEALS



**KIT - P9.004.011**

PISTONE DIAMETRO 25  
KIT CERAMIC PISTON DIAMETER 25



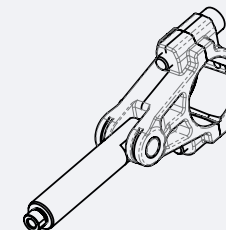
**KIT - P9.001.008**

VALVOLA COMPLETA  
COMPLETE VALVE



**KIT - P9.003.021**

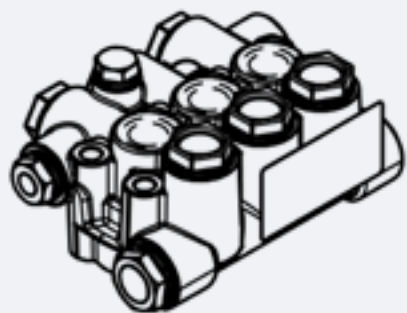
GUARNIZIONE PISTONE - PACCO COMPLETO  
KIT COMPLETE SEALS



**KIT - P9.041.005**

PREMONTATO BIELLA - ASTA  
PREASSEMBLED CONNECTING ROD

## RICAMBI GM Ø22 / SPARE PARTS GM Ø22



**KIT - P9.040.010**

TESTATA COMPLETA  
COMPLETE HEAD OF THE PUMP



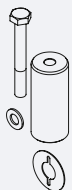
**KIT - P9.039.002**

ANELLI TENUTA OLIO ASTA  
KIT OIL SEALS



**KIT - P9.003.007**

GUARNIZIONE PISTONE  
KIT PLUNGER SEALS



**KIT - P9.004.010**

PISTONE DIAMETRO 22  
KIT CERAMIC PISTON DIAMETER 22



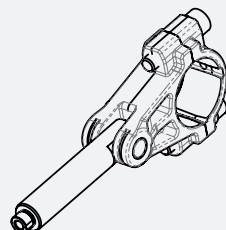
**KIT - P9.001.007**

VALVOLA COMPLETA  
COMPLETE VALVE



**KIT - P9.003.020**

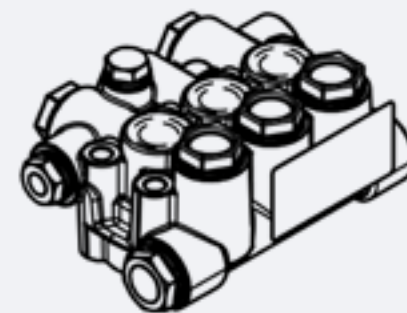
GUARNIZIONE PISTONE - PACCO COMPLETO  
KIT COMPLETE SEALS



**KIT - P9.041.005**

PREMONTATO BIELLA - ASTA  
PREASSEMBLED CONNECTING ROD

## RICAMBI GM Ø28 / SPARE PARTS GM Ø28



**KIT - P9.040.012**

TESTATA COMPLETA  
COMPLETE HEAD OF THE PUMP



**KIT - P9.039.002**

ANELLI TENUTA OLIO ASTA  
KIT OIL SEALS



**KIT - P9.003.011**

GUARNIZIONE PISTONE  
KIT PLUNGER SEALS



**KIT - P9.004.012**

PISTONE DIAMETRO 28  
KIT CERAMIC PISTON DIAMETER 28



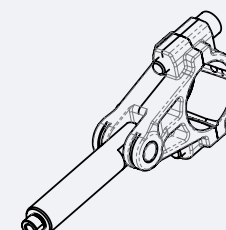
**KIT - P9.001.008**

VALVOLA COMPLETA  
COMPLETE VALVE



**KIT - P9.003.022**

GUARNIZIONE PISTONE - PACCO COMPLETO  
KIT COMPLETE SEALS



**KIT - P9.041.005**

PREMONTATO BIELLA - ASTA  
PREASSEMBLED CONNECTING ROD