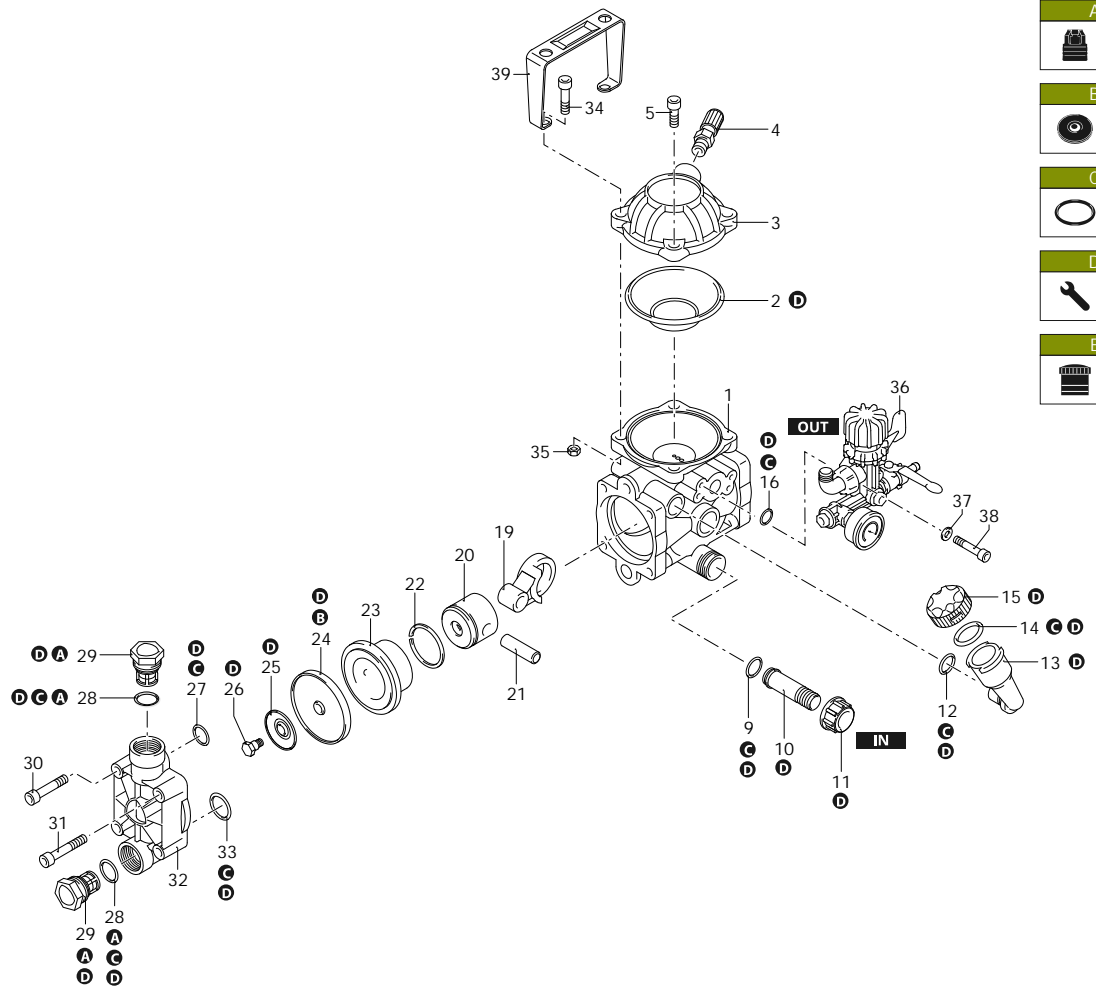




ELECTRIC MOTOR PUMP AR 252

32180 Elettropompa AR 252 G.C.I. - BlueFlex



AR_01_050_v01

Customer: AR
Customer Code:



SAE 30
0,340 Kg

Revision: 1

Date: 26/08/2023

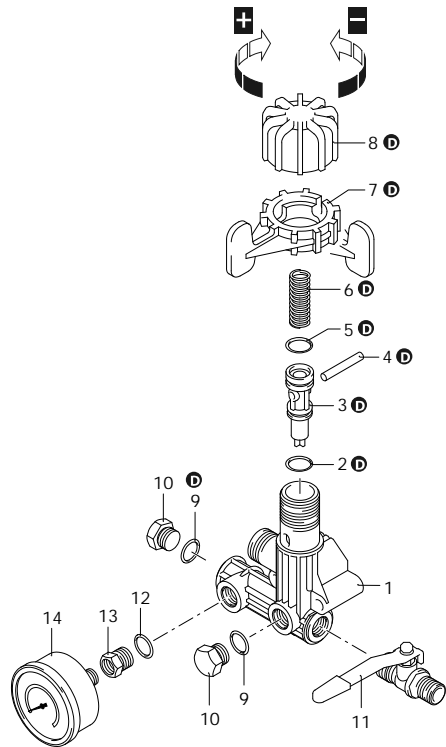
Code	Description	Q	Note
1	800010 Pump body	1	
2	800190 Diaphragm	NBR - Øe 94	1
3	800232 Semi air chamber	upper	1
4	800650 Air valve		1 C=20Nm / Loxeal 83-21
5	540290 Screw	TCEI M8x25	1 C=23Nm
9	390180 O-ring	Ø 18,72x2,62	1 Lubricate with motor oil
10	800340 Hose tail	Ø 20	1
11	550450 Ring nut	3/4" G	1
12	740290 O-ring	Ø 14x1,78	1 Lubricate Molykote PG54
13	801960 Tank		1
14	550040 O-ring	Ø 26,65x2,62	1 Lubricate with motor oil
15	550052 Plug	black	1
16	480440 O-ring	Ø 17,13x2,62	1 Lubricate Molykote G-807
19	800140 Connecting-rod		2 Lubricate with motor oil
20	802070 Piston	Ø 42	2
21	800130 Pin		2 Lubricate with motor oil
22	802080 Piston ring		2
23	802050 Sleeve		2
24	800082 Diaphragm	BlueFlex - Øe 72	2
25	800350 Plate		2
26	800090 Hub pin		2 C=20Nm / Lubricate Molykote 1000
27	800210 O-ring	Ø 13,10x2,62	2 Lubricate with motor oil
28	880830 O-ring	Ø 15,54x2,62	4 Lubricate Molykote G-807
29	809060 Complete valve		4
30	800220 Screw	TCEI M8x45	7 C=20Nm
31	680360 Screw	TCEI M8x50	1 C=20Nm
32	801940 Head		2
33	480440 O-ring	Ø 17,13x2,62	4 Lubricate Molykote G-807
34	680350 Screw	TCEI M8x35	3 C=10Nm
35	390270 Nut	M8	3 C=10Nm
36	879 Control units		1
37	550331 Washer		2
38	801080 Screw	TCEI M6x50	2 C=10Nm
39	800390 Knob		1
A	2408 Valve kit		1
B	43195 Diaphragms kit	BlueFlex	1
C	2409 O-ring kit		1
D	47421 Maintenance repair kit	BlueFlex	1
E	42506 Tank kit		1



ELECTRIC MOTOR PUMP AR 252

32180 ELETTROPOMPA AR 252 G.C.I. - BlueFlex

879



Code	Description	Q	Note
1	1880200 Valve body		1
2	1880260 O-ring	Ø 15,08x2,62	1
3	1889206 Shutter		1
4	1880240 Pin		1 Lubricate Molykote PG54
5	480441 O-ring	Ø 17,13x2,62 Viton	1 Lubricate Molykote G-807
6	1880331 Spring		1 Lubricate Molykote PG54
7	1880210 Ring nut		1 Lubricate Molykote PG54
8	1880220 Knob		1
9	740290 O-ring	Ø 14x1,78	2 Lubricate Molykote PG54
10	2841240 Plug		2 C=10Nm
11	1880491 Valve	3/8" G - 1/2" G (M-M)	1 C=10Nm
12	740290 O-ring	Ø 14x1,78	1 Lubricate Molykote PG54
13	1880250 Fitting		1 C=2Nm / Loxeal 55-14
14	1880340 Pressure gauge	Ø50 - 0÷50bar	1 C=10Nm / Loctice 2701
D	2411 Maintenance repair kit		1
879	891 Kit for built-in control unit		1

AR_05_006_v01

Customer: AR
Customer Code:



SAE 30
0,340 Kg

Revision: 1

Date: 26/08/2023

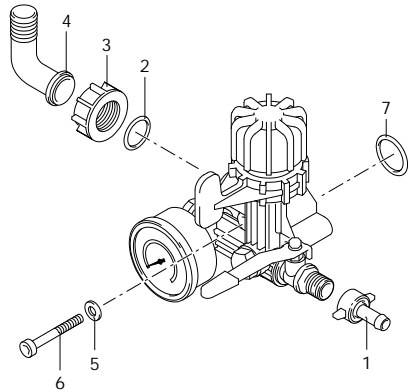


ELECTRIC MOTOR PUMP AR 252

32180 ELETTRPOMPA AR 252 G.C.I. - BlueFlex

KIT

891



Code	Description		Q	Note
1	110131 Ring nut	1/2" G	1	
2	880830 O-ring	Ø 15,54x2,62	1	Lubricate Molykote G-807
3	550450 Ring nut	3/4" G	1	
4	550460 Elbow	Ø 18	1	
5	550331 Washer		2	
6	801080 Screw	TCEI M6x50	2	C=10Nm
7	1140450 O-ring	Ø 20,24x2,62	1	Lubricate Molykote PG54
891	891 Kit for built-in control unit		1	

AR_05_008_v01

Customer: AR
Customer Code:



SAE 30
0,340 Kg

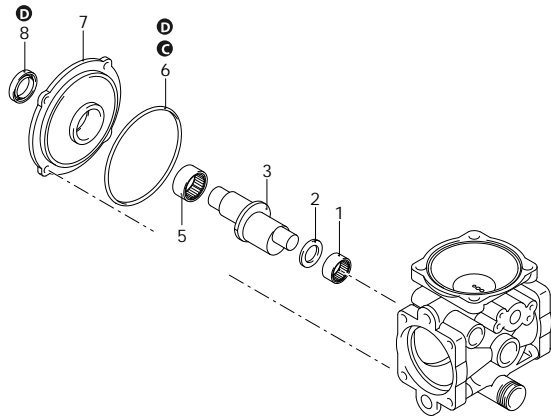
Revision: 1

Date: 26/08/2023



ELECTRIC MOTOR PUMP AR 252

32180 ELETTROPOMPA AR 252 G.C.I. - BlueFlex



Code	Description	Q	Note
1	480370 Bushing	1	Lubricate with Mineral Grease
2	800160 Spacer	1	Lubricate with Mineral Grease
3	800170 Shaft	1	D marked
5	800180 Bushing	1	Lubricate with Mineral Grease
6	800380 O-ring	1	Ø 97x1,6
7	800020 Flange	1	seal
8	800200 Ring	1	seal
A	2408 Valve kit	1	
B	43195 Diaphragms kit	1	BlueFlex
C	2409 O-ring kit	1	
D	47421 Maintenance repair kit	1	BlueFlex

AR_03_042_v01

Customer: AR
Customer Code:



SAE 30
0,340 Kg

Revision: 1

Date: 26/08/2023

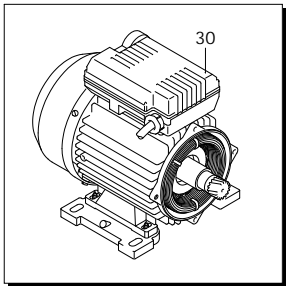
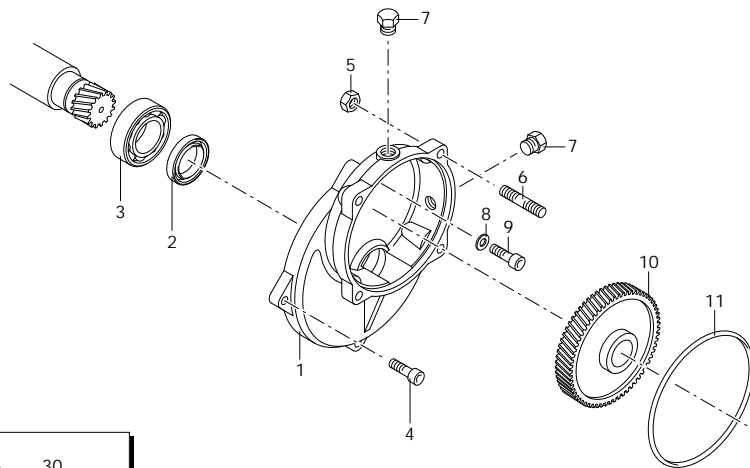


ELECTRIC MOTOR PUMP AR 252

32180 ELETTROPOMPA AR 252 G.C.I. - BlueFlex

Code Description Q Note

Code	Description	Q	Note
1	801410 Flange	1	
2	800300 Ring seal	1	Lubricate with Mineral Grease
3	1340340 Bearing	1	
4	1260760 Screw TCEI M5x20	3	C=10Nm
5	390440 Nut M6	4	C=10Nm
6	550330 Stud	4	C=10Nm / Loxeal 55-14
7	620301 Plug 1/8" G	2	C=10Nm / Loxeal 59-10
8	851280 Washer	1	
9	1260760 Screw TCEI M5x20	1	C=10Nm
10	800280 Middling gear Z=57	1	
11	800380 O-ring Ø 97x1,6	1	Lubricate with motor oil
30	4030 Motor	1	1,5 HP



AR_07_018_v01

Customer: AR
Customer Code:



W 90
0,020 Kg

Revision: 1

Date: 26/08/2023