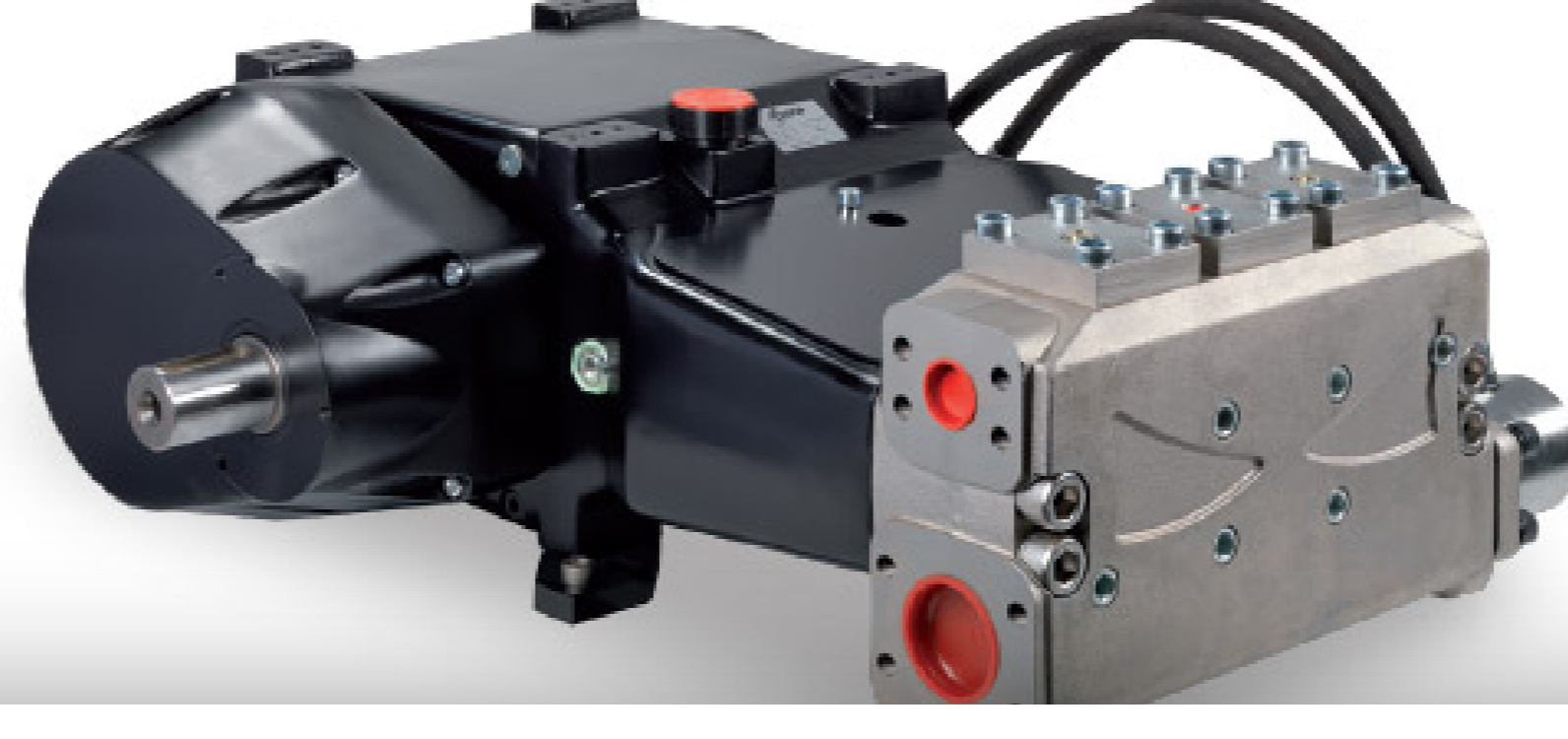


# RLR



We inform that the cookies used in this website are "technical cookies" necessary in order to improve browsing, but also "analysis cookies" to make statistical analyses and "third party cookies". You can get more details and block the use of all or just some cookies, reading the extended privacy policy. If you continue browsing this site, it is implied that you express your consent to the use of the aforementioned cookies. [I Agree](#) [Read More](#)

[Pumps](#) | [Accessories](#) | [Applications and Uses](#) | [More Informations](#)

## RLR

- Pump body: spheroidal cast iron
- Head: spheroidal cast iron with chemical nickel plating
- Camshaft: steel
- Splash lubrication
- Shaft support bearings oversized for long duration
- Connecting rods: cast iron with thin-shell bearings
- Guiding piston: cast iron
- Solid ceramic plungers
- Suction/delivery valves in stainless steel
- Seals: high dependability, V profile
- Versions with side gearbox available in 2 gear ratios and positionable on the right or left of the pump at 0° - 45° - 90° - 135° - 180° from the horizontal plane (see drawing)

**Routine maintenance includes easy operations such as: oil check & change, check and possible replacement of seals.**

Models	Drawings	Chart	Installation Scheme								
Code	Model	rpm	l/min	US gpm	bar	psi	MPa	kW	HP	kg	ID
6914.0001	RLR 300/250	1500	300	79	250	3625	25	140	190	405	8928
6914.0005	RLR 300/250	1800	300	79	250	3625	25	140	190	405	8928
6914.0002	RLR 300/200	1500	300	95	200	2900	20	140	190	405	8928
6914.0004	RLR 300/200	1800	300	95	200	2900	20	140	190	405	8928
6914.0003	RLR 420/170	1500	420	111	170	2465	17	140	190	405	8928
6914.0007	RLR 420/170	1800	420	111	170	2465	17	140	190	405	8928
6914.0004	RLR 480/140	1500	480	127	140	2102	14,5	140	190	405	8928
6914.0004	RLR 480/140	1800	480	127	140	2102	14,5	140	190	405	8928

### COOLER system (option):

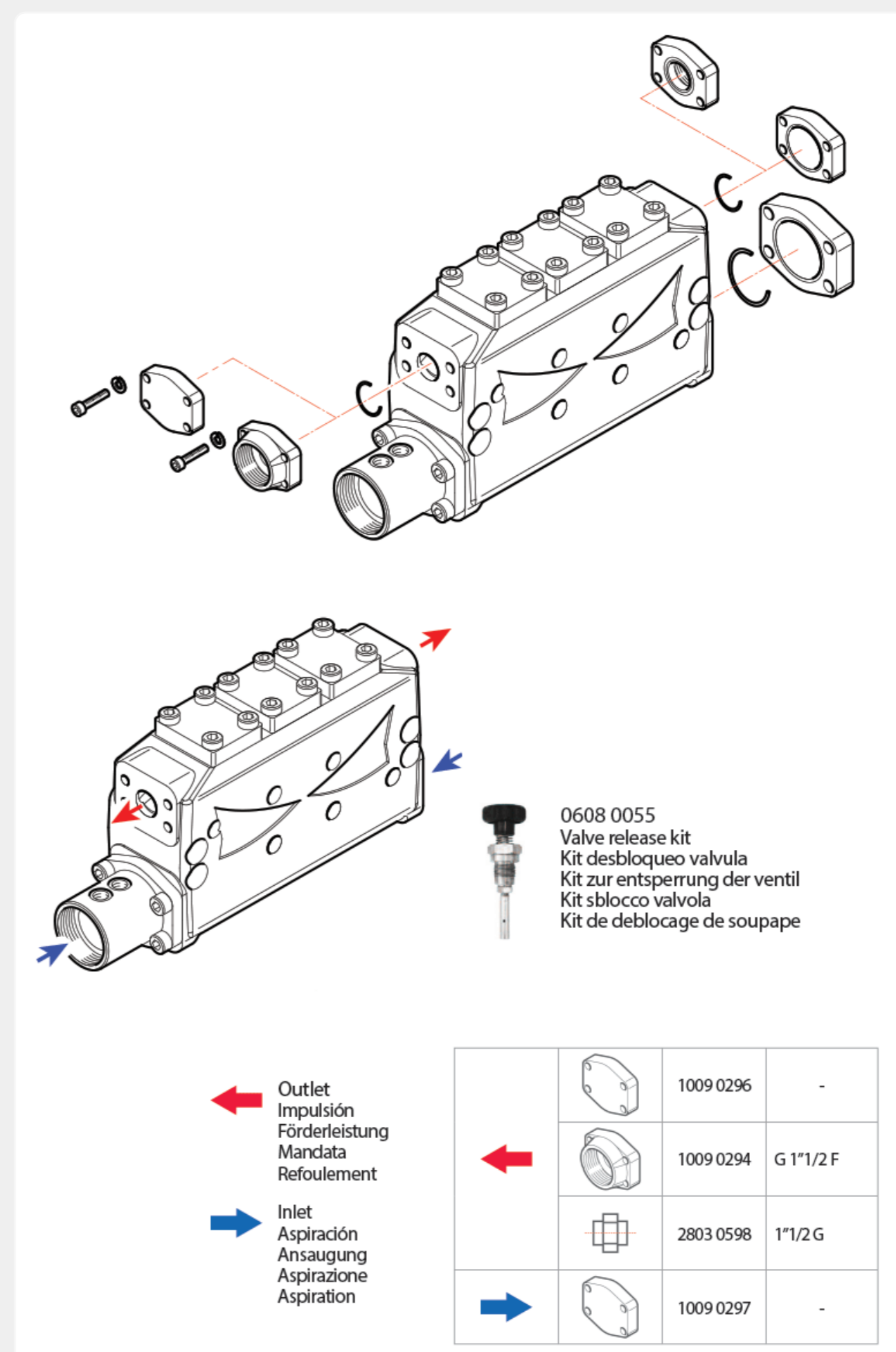
**Min Inlet pressure:** 1 bar - 14,5 p.s.i. (Venturi)

**Max Inlet pressure:** 6 bar - 87,5 p.s.i.

**Oil Capacity:** 15,96 l 80W 90

**Oil Capacity with Gearbox:** 8,98 l 80W 90

## Connection Kit



- [Download Data Sheet](#)
- [Download Spare Parts](#)
- [Download Manual](#)
- [Download General Part](#)

## Accessories



Guns with Lances



Unloader Valves



Pulsation Dampeners

## Applications and Uses

### RLR



MUNICIPALITIES



OIL FIELD



CONSTRUCTION



PETROCHEMICAL

Contact us for more informations

Your Name (required)

Your Email (required)

Subject

Your Message

\*In compliance with articles 7-8-9 of E.R. 2016/679 I declare that I have read the information and consent to the processing of data for the purposes as per point a)

- I authorize  I do not authorize

Consent for "direct marketing" (this consent is optional). I declare that I have read the information and consent to the processing of data for the purposes as per point b) of this privacy policy and therefore consents to the receipt of advertising material/communications, such as brochures, invitations, newsletters, by post, e-mail, telephone, fax, sms and mms messages deriving from the Data Controller. It is herewith understood that the undersigned has the specific right to revoke this consent at any time, by contacting the Data Controller.

- I authorize  I do not authorize

[SEND](#)

Share This Product. Choose Your Platform!

