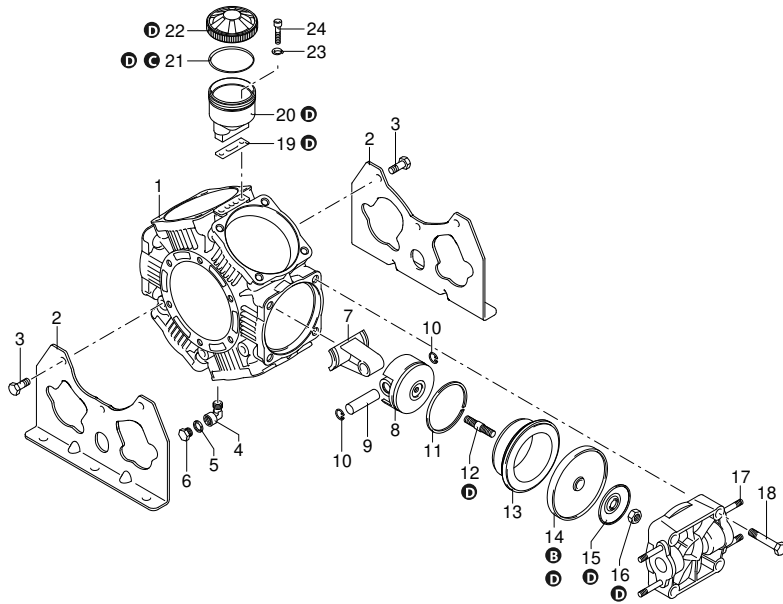




# AR 215 BP

1212 AR 215 BP AP C/C - NBR



Code	Description	Q	Note
1	751300 Pump body	1	
2	751291 Foot	2	
3	160672 Screw	TEM10x25	6 C=35Nm / Loxeal 55-14
4	750370 Fitting	1/4" G (M-F)	1 Loxeal 83-21
5	880820 Washer		1
6	880581 Plug	1/4" G	1 C=20Nm / Loxeal 24-18
7	750140 Connecting-rod		6
8	750122 Piston	Ø 80	6
9	160700 Pin		6 Lubricate with Mineral Grease
10	160691 Ring	seeger Øi 18	12
11	500260 Piston ring		6
12	2240100 Hub pin		6 C=30Nm / Loxeal 83-21
13	750117 Sleeve		6
14	550080 Diaphragm	NBR - Øe 115	6
15	751250 Plate		6
16	2240110 Nut	M10	6 C=25Nm
17	751350 Head	plastic	6
18	750061 Screw	TEM12x65	24 C=60Nm / Lubricate Molykote 1000
19	750040 Gasket		1 Seal with Arexons Mastic
20	750030 Tank		1
21	1040060 O-ring	Ø 72,69x2,62	1 Lubricate Molykote Longterm W2
22	750051 Plug	green	1
23	380243 Washer		2
24	680350 Screw	TCEI M8x35	2 C=10Nm
A	47397 Valve kit		1
B	1926 Diaphragms kit	NBR	1
C	42513 O-ring kit		1
D	42515 Maintenance repair kit	NBR	1
E	47207 Tank kit		1

AR\_01\_001\_v01

Customer: AR  
Customer Code:



SAE 30  
2,400 Kg

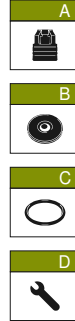
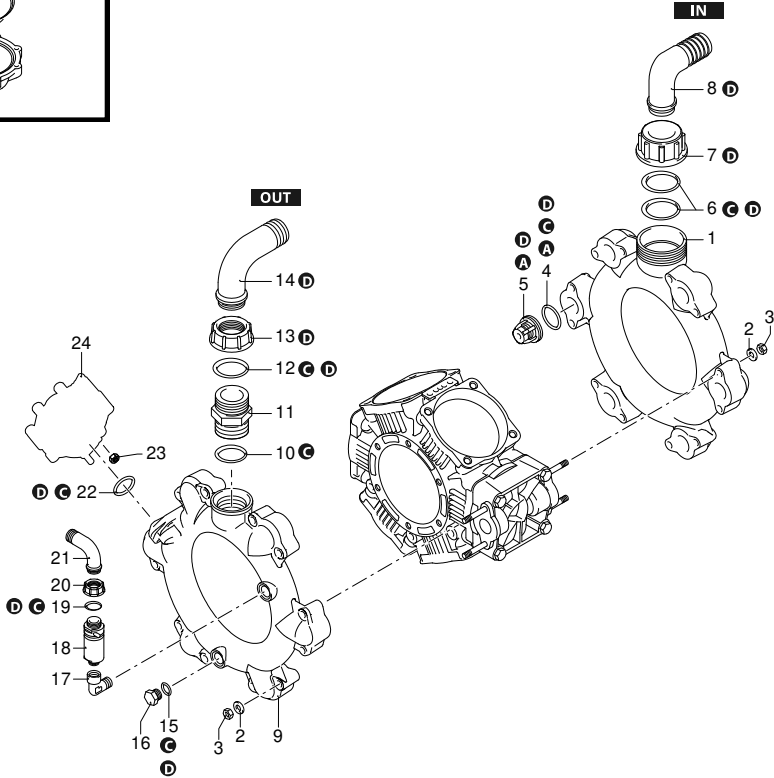
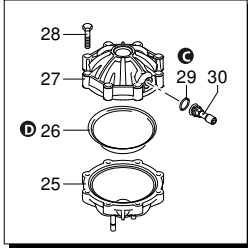
Revision: 1

Date: 25/08/2023



# AR 215 BP

1212 AR 215 BP AP C/C - NBR



Code	Description		Q	Note
1	751070	Line	intake	1
2	380243	Washer		24
3	380242	Nut	M8	24 C=20Nm / Lubricate Molykote 1000
4	680070	O-ring	Ø 31,5x4,25	12 Lubricate with motor oil
5	759051	Valve		12
6	750740	O-ring	Ø 56,74x3,53	2 Lubricate Molykote PG54
7	750710	Ring nut	2" 1/2 G	1
8	750850	Elbow	Ø 50	1
9	751080	Line	delivery	1
10	751140	O-ring	Ø 47,22x3,53	1 Lubricate with motor oil
11	751130	Fitting	1" 1/2 G (M-M)	1 C=10Nm
12	390290	O-ring	Ø 29x3	1 Lubricate Molykote PG54
13	750670	Ring nut	1" 1/2 G	1
14	3040160	Elbow	Ø 35	1
15	180101	O-ring	Ø 17,5x2	1 Lubricate with motor oil
16	330173	Plug	1/2" G	1 C=20Nm / Loxeal 55-14
17	881560	Fitting	1/2" G (M-F)	1 C=20Nm / Loxeal 83-21
18	1609000	Safety valve	20 bar	1 Loxeal 24-18
19	880831	O-ring	Ø 15,54x2,62 Viton	1 Lubricate Molykote G-807
20	550450	Ring nut	3/4" G	1
21	550460	Elbow	Ø 18	1
22	390290	O-ring	Ø 29x3	1 Lubricate Molykote PG54
23	380242	Nut	M8	2 C=20Nm / Lubricate Molykote 1000
24	629216	Air chamber	NBR	1
25	680180	Semi air chamber	lower	1
26	550190	Diaphragm	NBR - Øe 110	1
27	620232	Semi air chamber	upper	1
28	621781	Screw	TE M8x40	8 C=20Nm / Lubricate Molykote 1000
29	650542	Gasket		1 Lubricate with motor oil
30	180020	Air valve		1 C=3Nm / Loxeal 55-14
A	47397	Valve kit		1
B	1926	Diaphragms kit	NBR	1
C	42513	O-ring kit		1
D	42515	Maintenance repair kit	NBR	1

AR\_02\_001\_v01

Customer: AR  
Customer Code:



SAE 30  
2,400 Kg

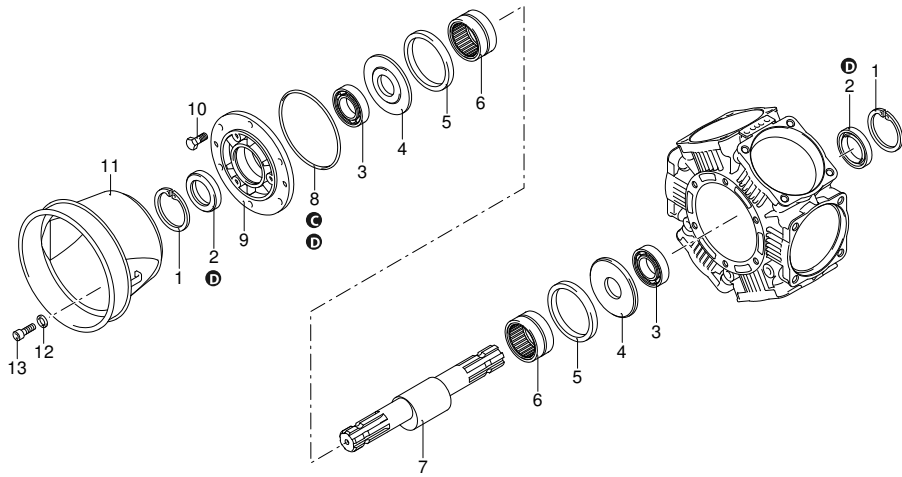
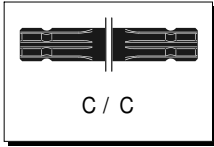
Revision: 1

Date: 25/08/2023



# AR 215 BP

1212 AR 215 BP AP C/C - NBR



Code	Description		Q	Note
1	200390 Ring	seeger Øi 62	2	
2	751990 Ring	seal	2	Lubricate with Mineral Grease
3	751280 Bearing		2	Press Mount
4	540040 Plate		2	Lubricate with motor oil
5	750130 Ring		2	Lubricate with motor oil
6	750090 Bearing		2	
7	750176 Shaft	AZ marked	1	
8	851360 O-ring	Ø 120,32x2,62	1	Lubricate Molykote Longterm W2
9	680020 Support		1	Lubricate with Mineral Grease
10	160672 Screw	TEM10x25	6	C=35Nm / Loxeal 55-14
11	1500470 Cardan protection	ø 239 mm	1	
12	390314 Washer		3	
13	850251 Screw	TCEI M8x12	3	C=10Nm
A	47397 Valve kit		1	
B	1926 Diaphragms kit	NBR	1	
C	42513 O-ring kit		1	
D	42515 Maintenance repair kit	NBR	1	

AR\_001-03\_001\_v01

Customer: AR  
Customer Code:



SAE 30  
2,400 Kg

Revision: 1

Date: 25/08/2023