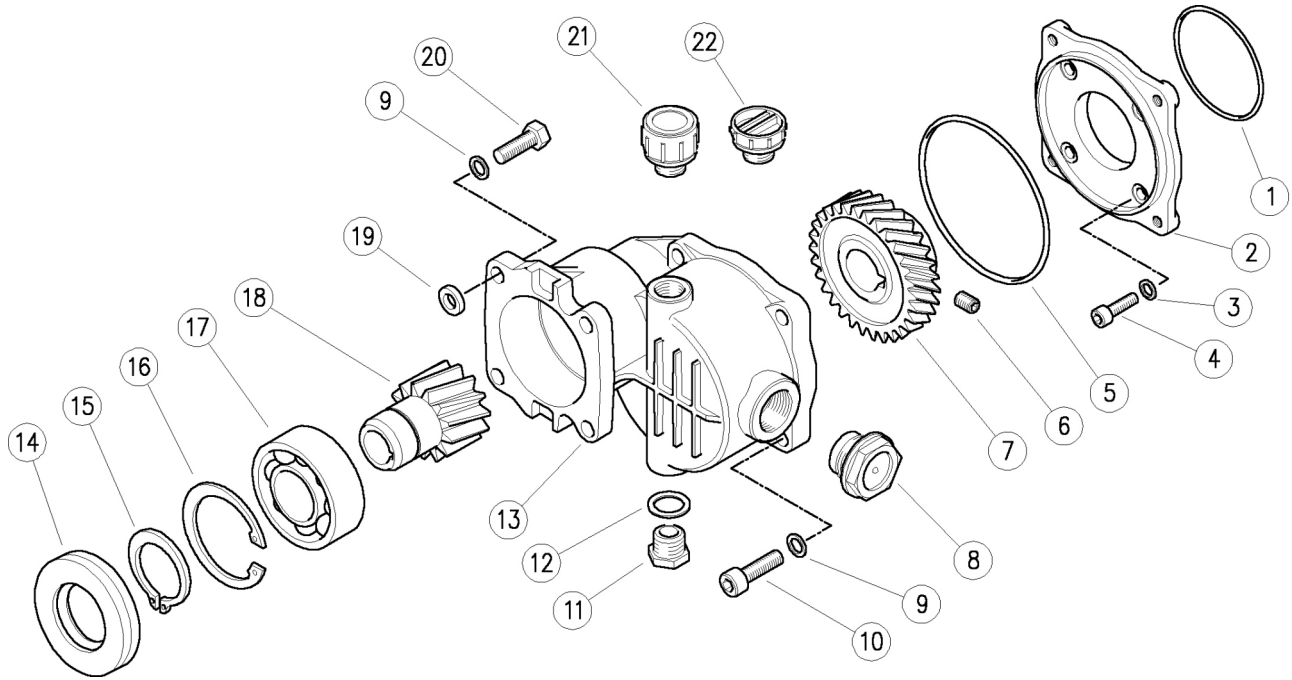


50.0600.00 B5 Gear box 6,5 HP r.2,3:1



K1 K2 K3 K4

K1 K2 K3 K4

1	10.3081.63R	O-ring, 1,78x63,22 mm	1				10
2	50.0602.44R	B5 Gearbox flange, alum.	1				1
3	14.4096.00R	Sealing washer, d.6 mm	4				4
4	16.1895.18R	Screw, DIN912 M6x18 mm z.pl.	4				4
5	10.3210.88R	O-ring, 2,62x88,57 mm	1				5
6	16.2223.00R	Set screw, DIN916 M8x10 mm	1				10
7	50.0603.65R	Ring gear, Z.30 d.24mm -B5 Gearbox	1				1
8	15.3734.00R	See-through oil plug 3/4" Bsp+seal	1				5
9	14.3652.00R	Safet. washer, 8,4x13x0,8 mm	8				10
10	16.1958.26R	Screw, DIN912 M8x25 mm z.pl.	4				4
11	60.0028.31R	Plug, brass 3/8 Bsp, hex.19	1				25

12	14.4042.00R	Washer, 16,7x22x1,5 mm alu.	1				25
13	50.0601.44R	B5 Gearbox case, alum.	1				1
14	10.2036.62R	Seal ring, 30x62x7 mm	1				3
15	10.1015.00R	Snap ring, E 30	1				5
16	10.1062.00R	Snap ring, I 62	1				5
17	11.4430.62R	Ball-bearing, 30x62x16 mm	1				2
18	50.0604.61R	Pinion, Z.13 19mm	1				1
19	50.0605.41R	Washer, 8,3x16x3 mm alum.	4				4
20	16.2009.00R	Screw, DIN933 5/16" UNFx1" z.pl.	4				4
21	15.3726.00R	Oil plug 3/8" Bsp+seal	1				5
22	15.3725.00R	Plug, 3/8" Bsp plast.	1				5