



IPC Integrated Professional Cleaning

IPC Portotecnica

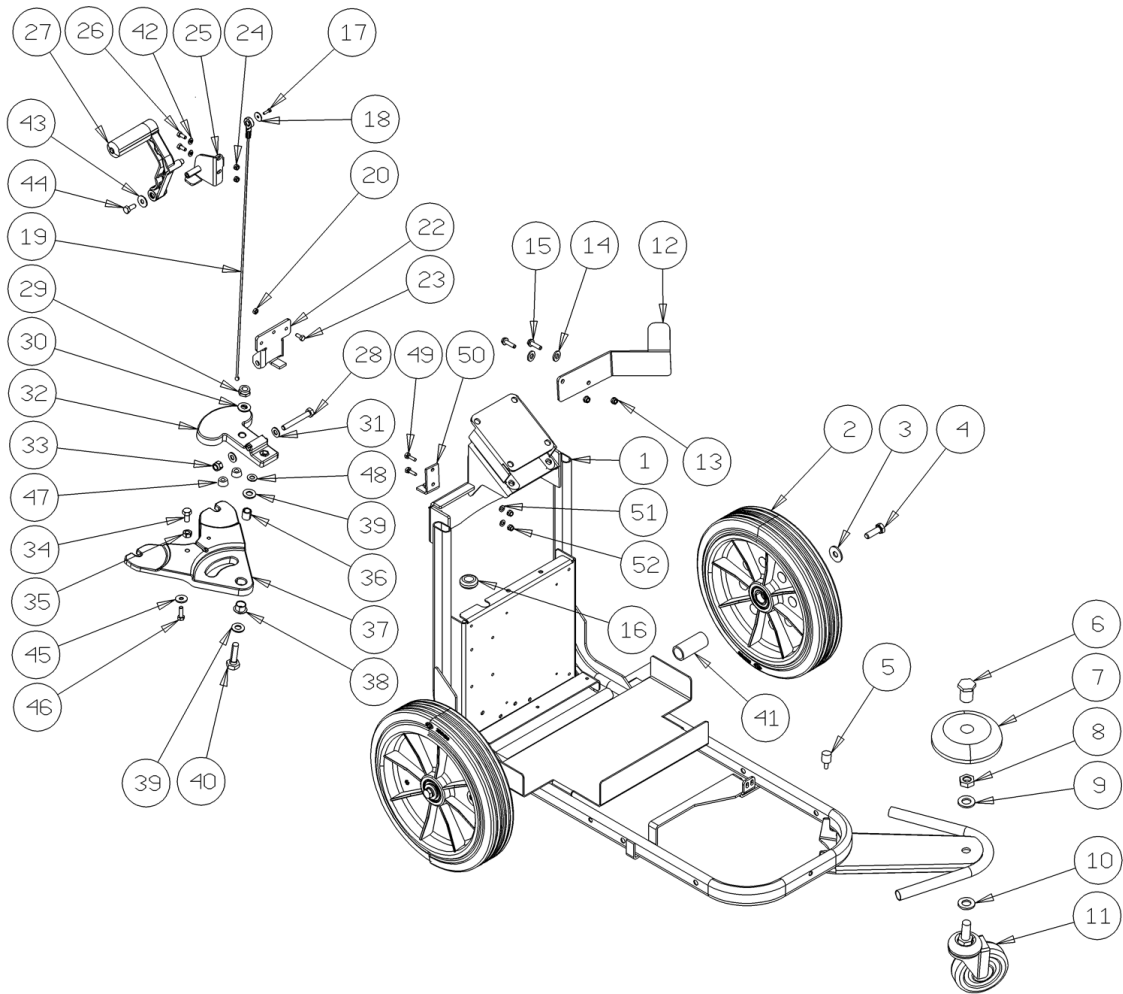
Spare Parts List

MEDIACOM

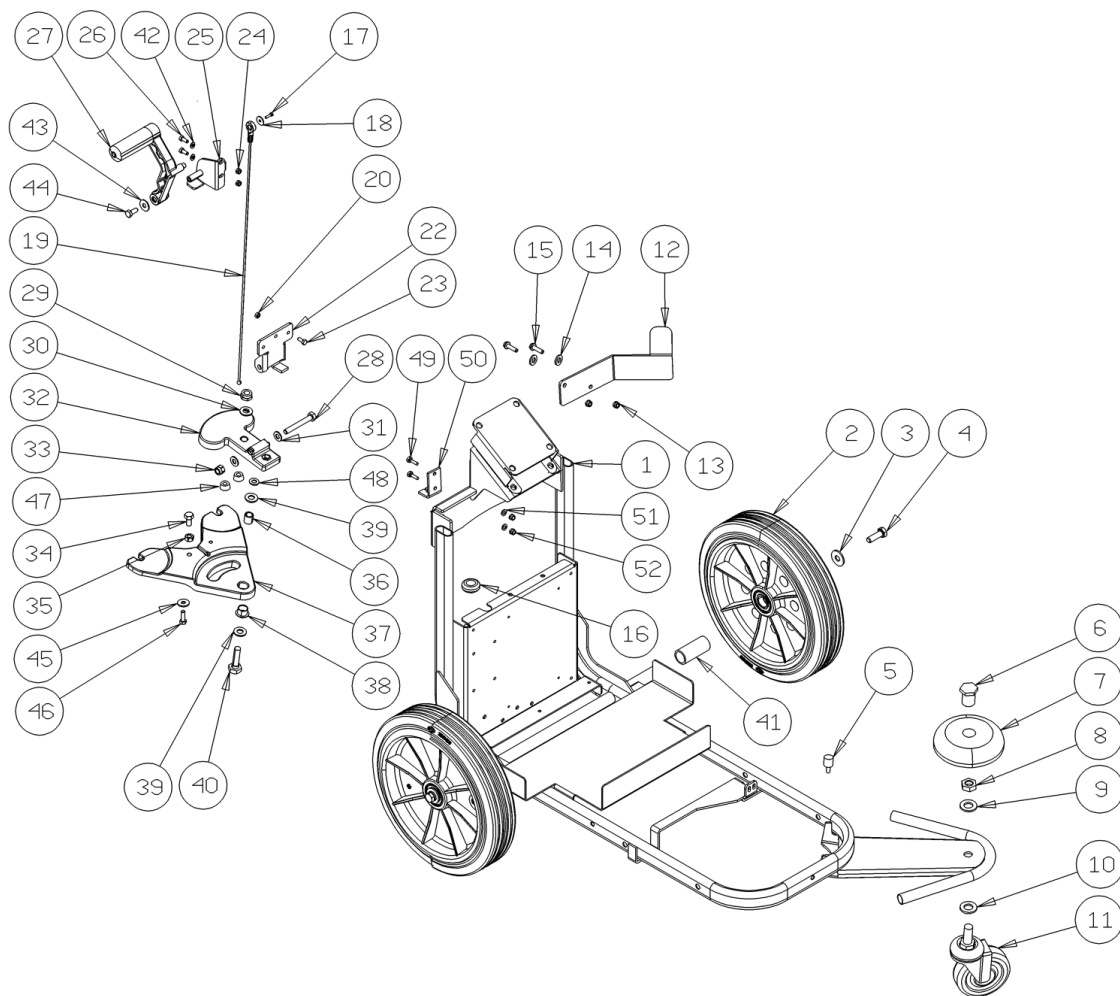
Ref: LPTB02630

Model: LAVAPAV LAVAMATIC 45B50

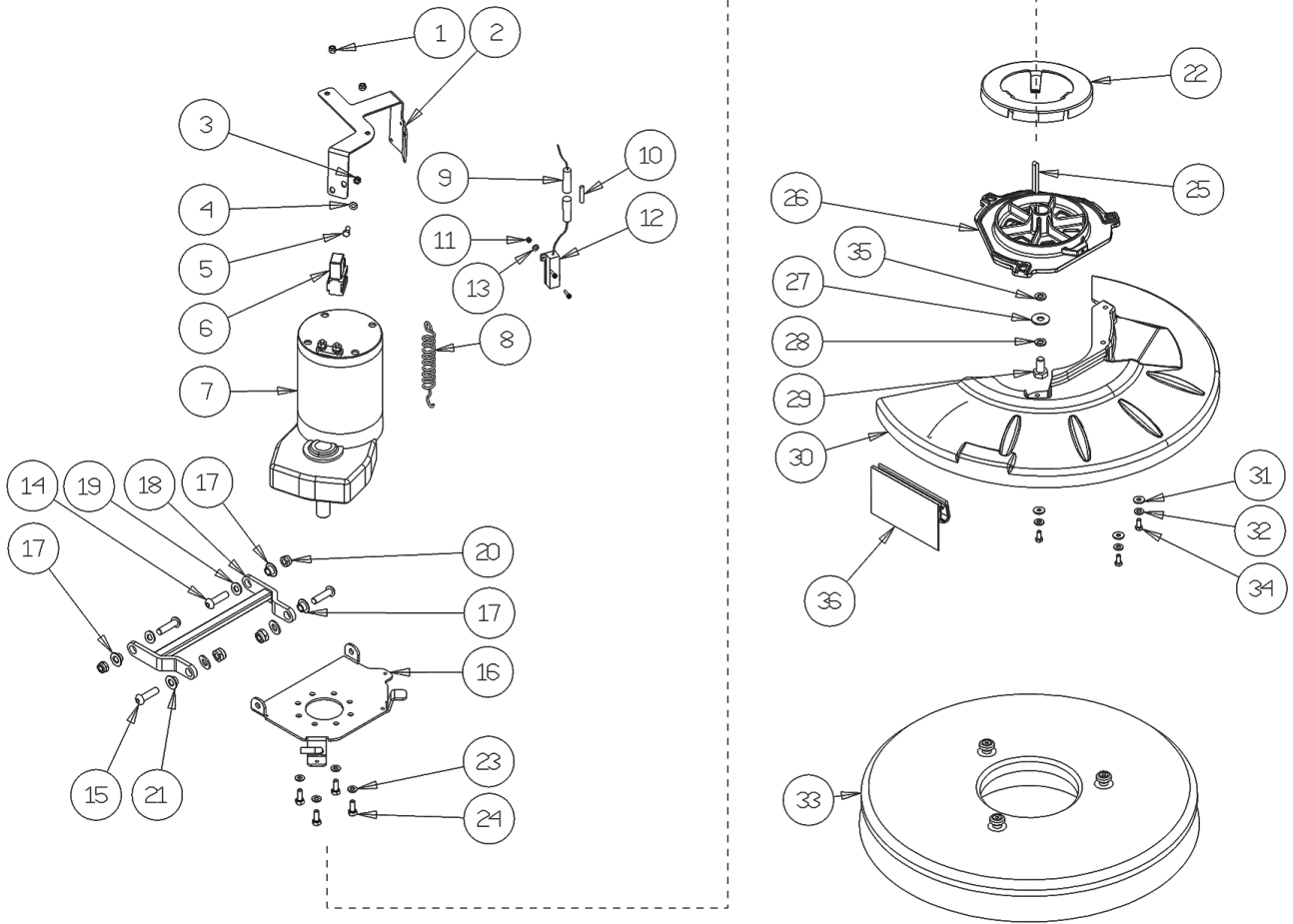
3-01PRT



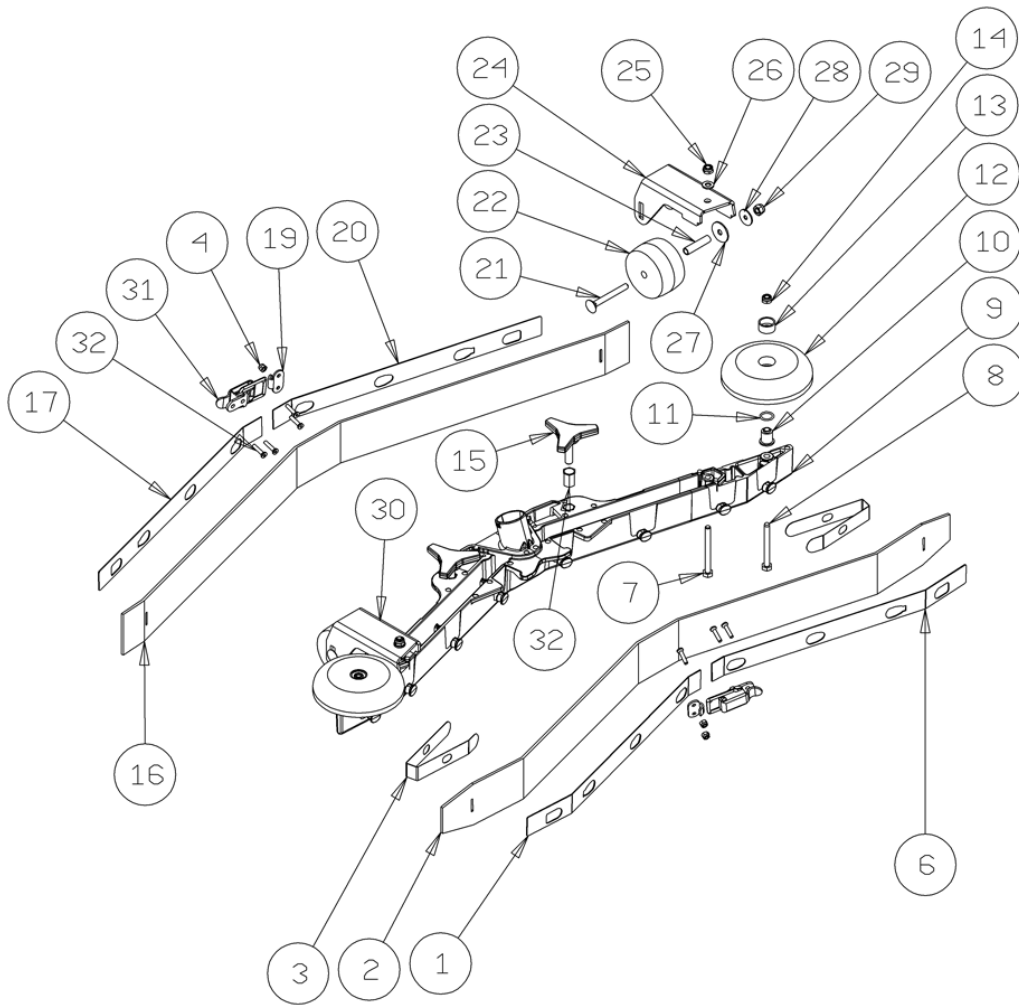
Ref.	K	Part N.	Customer Part N.	Description	Qty	Validity:		Price
						From	To	
0001		LAFN07963		SHEET METAL PA-	1,00			--
0002		RTRT00537		WHEEL GRAY d.250 CT15-30-45	2,00			--
0003		VTRS00512		WASHER D. 8 X24 ZC.	2,00			--
0004		VTVT01110		SCREW TE 8X16 UNI5739	2,00			--
0005		MPVR05967		CAP -	1,00			--
0006		LAFN09172		BUSHING -	1,00			--
0007		MPVR05965		WHEEL -	1,00			--
0008		VTDD00502		NUT M12	1,00			--
0009		VTRS09142		WASHER D.12 X 36	1,00	02/2015		--
0009		VTRS15978		WASHER D.12X24 UNI 6592 INX	1,00		02/2015	--
0010		VTRS09142		WASHER D.12 X 36	1,00	02/2015		--
0010		VTRS15978		WASHER D.12X24 UNI 6592 INX	1,00		02/2015	--
0011		RTRT00544		WHEEL D.80MXHC	1,00			--
0012		LAFN08091		BRACKET -	1,00			--
0013		VTDD01694		NUT M6 INOX	2,00			--
0014		VTRS00245		WASHER D.6 UNI 6592 INOX	2,00			--
0015		VTVT15143		SCREW TE 6X16 UNI5739	2,00			--
0016		MEVR00686		FAIR-LEAD DIAMETER 15.5	1,00			--
0017		VTVT00800		SCREW TC 4X12 ZN	1,00		09/2014	--
0018		VTRS00251		WASHER 4-16 INOX A2	1,00		09/2014	--
0019		CMCV00459		CABLE CT45	1,00		09/2014	--
0020		VTDD15517		NUT M 5 INX	3,00			--
0022		LAFN07944		COUPLING SQUEEGEE	1,00		09/2013	--
0022		LAFN08106		COUPLING SQUEEGEE	1,00	09/2013		--
0023		VTVT01300		SCREW TE M5X12 INOX	3,00			--
0024		VTDD04369		NUT M 4 TEF UNI 7473	2,00		09/2014	--
0025		LAFN08085		BRACKET -	1,00		09/2014	--
0026		VTVT29884		SCREW TE M 4X 16 UNI 5739	2,00		09/2014	--
0027		MPVR49942		LEVER SHK PP	1,00		09/2014	--
0028		VTVT00757		SCREW	1,00			--
0029		VTDD10310		NUT AUTOBL.M10 INOX DIN 985	1,00			--
0030		VTRS15523		WASHER D.10 X21 INOX UNI 6592	1,00			--
0031		VTRS13947		WASHER D. 8 INX UNI 6592	1,00			--
0032		MFVR00223		SUPPORT SQUEEGEE CT45	1,00			--
0033		VTDD01695		NUT M 8 INX	1,00			--
0034		VTVT15141		SCREW TE M 6X 25 UNI 5739 INX	1,00			--
0035		VTDD15520		NUT M 6 A2 UNI 5588 INX	1,00			--
0036		LAFN08067		BUSHING CT45	1,00			--
0037		MFVR00224		ARTICULATION SQUEEGEE SUPPORT CT45	1,00			--



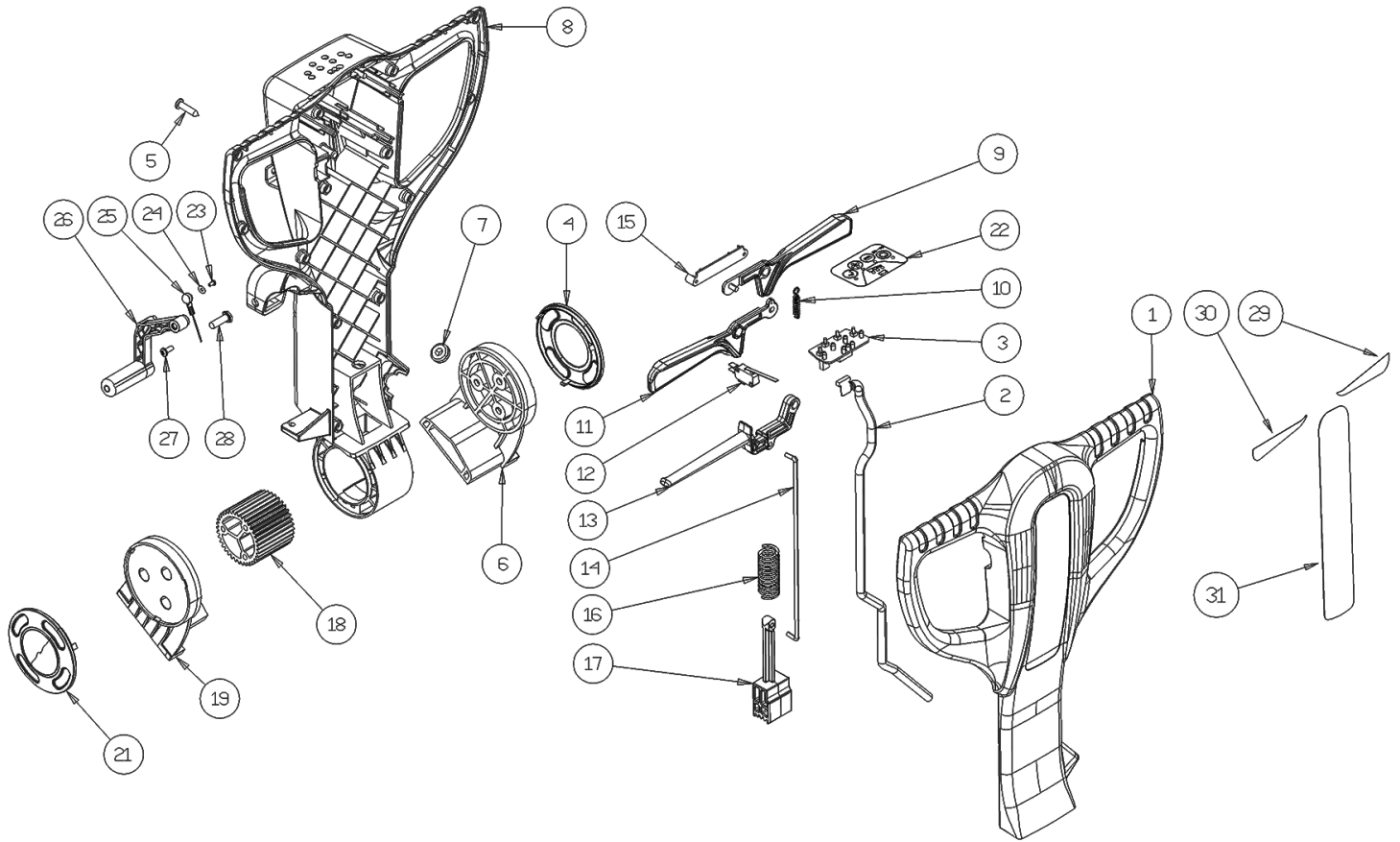
Ref. K	Part N.	Customer Part N.	Description	Qty	Validity:		Price
					From	To	
0038	CUVR00193		BUSHING -	1,00			--
0039	VTRS15523		WASHER D.10 X21 INOX UNI 6592	2,00			--
0040	VTVT01169		SCREW TE M10X45	1,00			--
0041	LAFN08093		BUSHING -	2,00			--
0042	VTRS05904		WASHER D. 4 X16 2.083	2,00		09/2014	--
0043	VTRS15958		WASHER D. 5 X15 UNI 6593	1,00		09/2014	--
0044	VTVT62916		SCREW TE M5X12 ZN UNI 5739-8.8	1,00		09/2014	--
0045	VTRS16937		WASHER 6x24 INOX UNI 6593	1,00			--
0046	VTVT00881		SCREW TC+ M4x6 TRILOBATA INOX	1,00	09/2014		--
0046	VTVT21887		SCREW TCB-TC 4X10 8112	1,00		09/2014	--
0047	GUGO00234		GASKET 3/4"	1,00		07/2013	--
0047	GUGO00321		CONVEYOR -	2,00	07/2013		--
0048	MLML34767		SPRING D.10.2 X20	1,00			--
0049	VTVT07725		SCREW TE 5X16 UNI5739 INX	2,00	09/2014		--
0050	LAFN09365		BRACKET -	1,00	09/2014		--
0051	VTRS00516		WASHER D. 5 INX	2,00	09/2014		--
0052	VTDD01693		NUT M 5 INX	2,00	09/2014		--



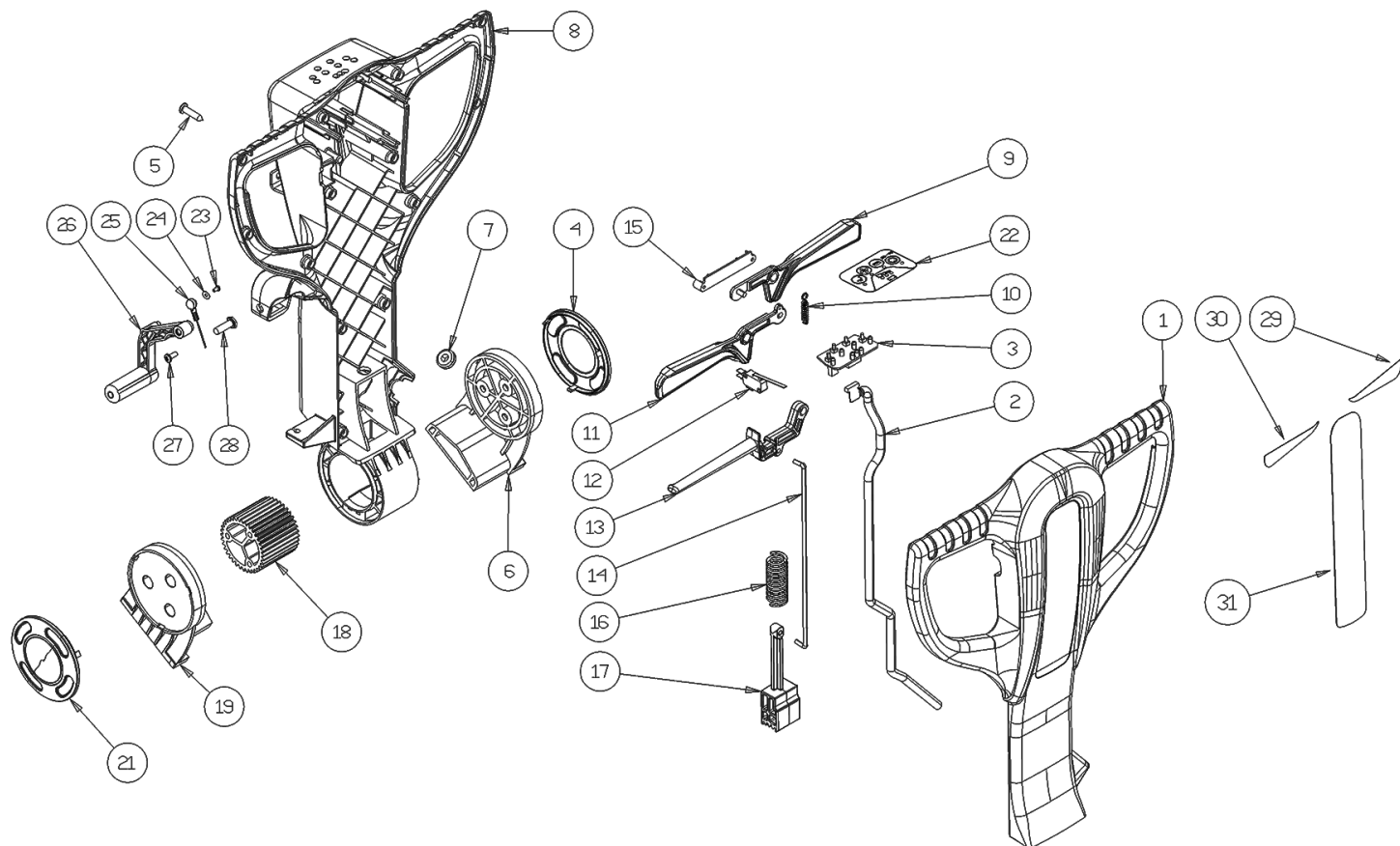
Ref.	K	Part N.	Customer Part N.	Description	Qty	Validity:		Price
						From	To	
0001		VTDD00128		SELF-LOCJ.NUT M5	2,00			--
0002		LAFN08083		BRACKET -	1,00			--
0003		VTDD01693		NUT M 5 INX	1,00		09/2015	--
0004		VTRS13750		WASHER D. 5X14 INX	1,00		09/2015	--
0005		VTVT34115		SCREW TE M 5X 10 UNI 5739	1,00		09/2015	--
0006		MECI00005		RELAY 24V 10/20A	1,00		09/2015	--
0007		MOCC00426		MOTOR 24V 20A 400W IP44	1,00			--
0008		MLML00065		SPRING L0=80 De=12 Df=1.7	1,00		10/2013	--
0008		MLML00340		SPRING -	1,00	10/2013		--
0009		MEVR00080		FUSE-HOLDER PV610 10A	1,00		09/2015	--
0010		MEVR01747		FUSE 6X32 2,8A T	1,00		09/2015	--
0011		VTDD21115		NUT M 3 INOX	2,00		09/2015	--
0012		MEVR02066		RESISTANCE 3,3ohm 50W	1,00		09/2015	--
0013		VTRS27296		WASHER GROWER 3 ZNT	2,00		09/2015	--
0014		VTVT01378		CARRYNG BAG	2,00			--
0015		VTVT01195		SCREW TBEI M 8X 25 ISO 7380 IX	2,00			--
0016		LAFN08104		SUPPORT -	1,00			--
0017		LAFN06391		BUSHING PARALLELOGRAMMA	3,00			--
0018		LAFN07910		BRACKET -	1,00			--
0019		VTRS13947		WASHER D. 8 INX UNI 6592	4,00			--
0020		VTDD01695		NUT M 8 INX	4,00			--
0021		LAFN51068		BUSHING LEVA POSTER.	1,00			--
0022		MPVR06045		CONVEYOR -	1,00			--
0023		VTRS15144		WASHER D. 6 INX GRW UNI 1751	4,00			--
0024		VTVT15906		SCREW TE 6X 12 A2 UNI 5739	4,00			--
0025		VTVR16617		KEY 6X 6X30 UNI 6604	1,00			--
0026		MFVR00212		DRIVE DISK	1,00			--
0027		VTRS13946		WASHER D. 8 X24 INX UNI 6593	1,00			--
0028		VTRS15146		WASHER D. 8 INX GRW UNI 1751	1,00			--
0029		VTVT13938		SCREW TE 8X20 UNI5739 INX	1,00			--
0030		MPVR06243		COVER CT45	1,00			--
0031		VTRS13750		WASHER D. 5X14 INX	3,00			--
0032		VTRS15908		WASHER D. 5 INX GRW UNI 1751	3,00			--
0033		SPPV01332		BRUSH D.500 NYLON	1,00			--
0034		VTVT01300		SCREW TE M5X12 INOX	3,00			--
0035		VTRS13947		WASHER D. 8 INX UNI 6592	1,00	11/2014		--
0036		MPVR06072		FLAP -	1,00			--



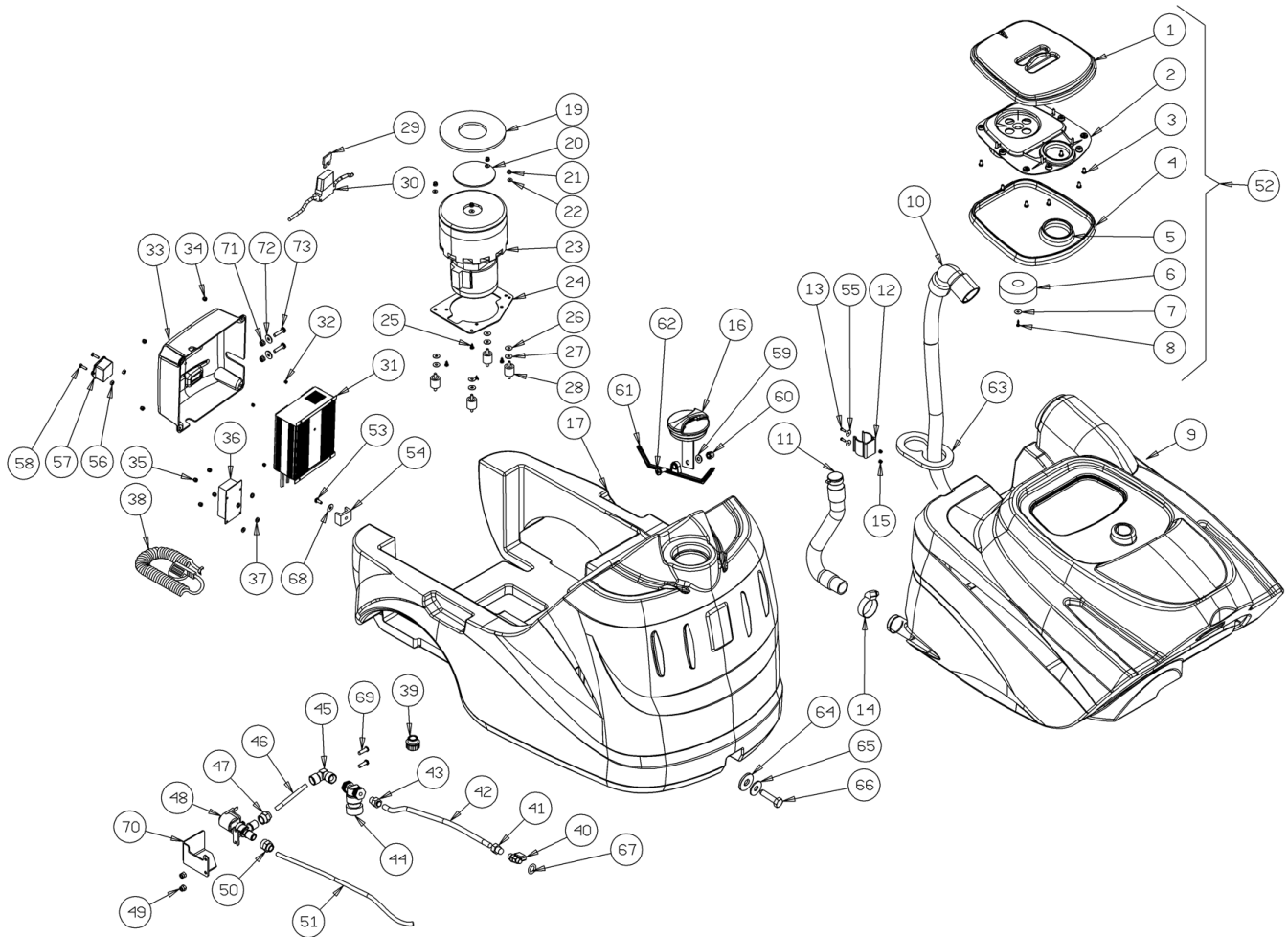
Ref.	K	Part N.	Customer Part N.	Description	Qty	Validity:		Price
						From	To	
0001		LAFN08940		BRACKET -	1,00		09/2013	--
0001		LAFN09275		SHEET METAL PA.-	1,00	09/2013		--
0002		MPVR06285		BLADE XS 3MM	1,00		07/2013	--
0002		MPVR06287		BLADE XS 3MM LATEX	1,00	07/2013		--
0003		MPVR05897		CLOSURE S	2,00			--
0004		VTDD00210		NUT M 3 INOX	8,00	09/2013		--
0006		LAFN08945		BRACKET -	1,00		09/2013	--
0006		LAFN09276		SHEET METAL PA.-	1,00	09/2013		--
0007		VTVT17342		SCREW TE M 6X 60 UNI 5739 INX	2,00			--
0008		VTVT00655		SCREW TE M. 6-55	2,00			--
0009		MFVR00143		BODY SQUEEGEE PRESSOFUSO	1,00			--
0010		LAFN04100		SPACER PER RUOTINO PARACOLPI	2,00			--
0011		GUGO00164		GASKET	2,00			--
0012		MPVR05290		ROLLER PARACOLPI	2,00			--
0013		MPVR49229		BUSHING SHK	2,00			--
0014		VTDD01694		NUT M6 INOX	2,00			--
0015		MPVR06003		KNOB AISI 304	2,00		03/2013	--
0015		MPVR06004		KNOB AISI 304	2,00	03/2013		--
0016		MPVR06286		BLADE XS 3MM	1,00		07/2013	--
0016		MPVR06288		BLADE XS 3MM LATEX	1,00	07/2013		--
0017		LAFN08946		BRACKET -	1,00		09/2013	--
0017		LAFN09277		SHEET METAL PA.-	1,00	09/2013		--
0019		LAFN09301		SOCKET -	2,00	09/2013		--
0020		LAFN08947		BRACKET -	1,00		09/2013	--
0020		LAFN09278		SHEET METAL PA.-	1,00	09/2013		--
0021		VTVT01206		SCREW M6X55	2,00			--
0022		RTRT00523		WHEEL -	2,00			--
0023		LAFN07589		SPACER -	2,00			--
0024		LAFN09217		SUPPORT SX	1,00			--
0025		VTDD01694		NUT M6 INOX	2,00			--
0026		VTRS00245		WASHER D.6 UNI 6592 INOX	2,00			--
0027		VTRS16937		WASHER 6x24 INOX UNI 6593	2,00			--
0028		VTRS13945		WASHER D. 6X18 INX UNI 6593	2,00			--
0029		VTDD15518		NUT M 6 INX	2,00			--
0030		LAFN09216		SUPPORT DX	1,00			--
0031		LAFN09302		CLOSURE -	2,00	09/2013		--
0032		VTVR00567		INSERT -	2,00			--
0032		VTVT01070		SCREW TSTC M3X8	8,00	09/2013		--



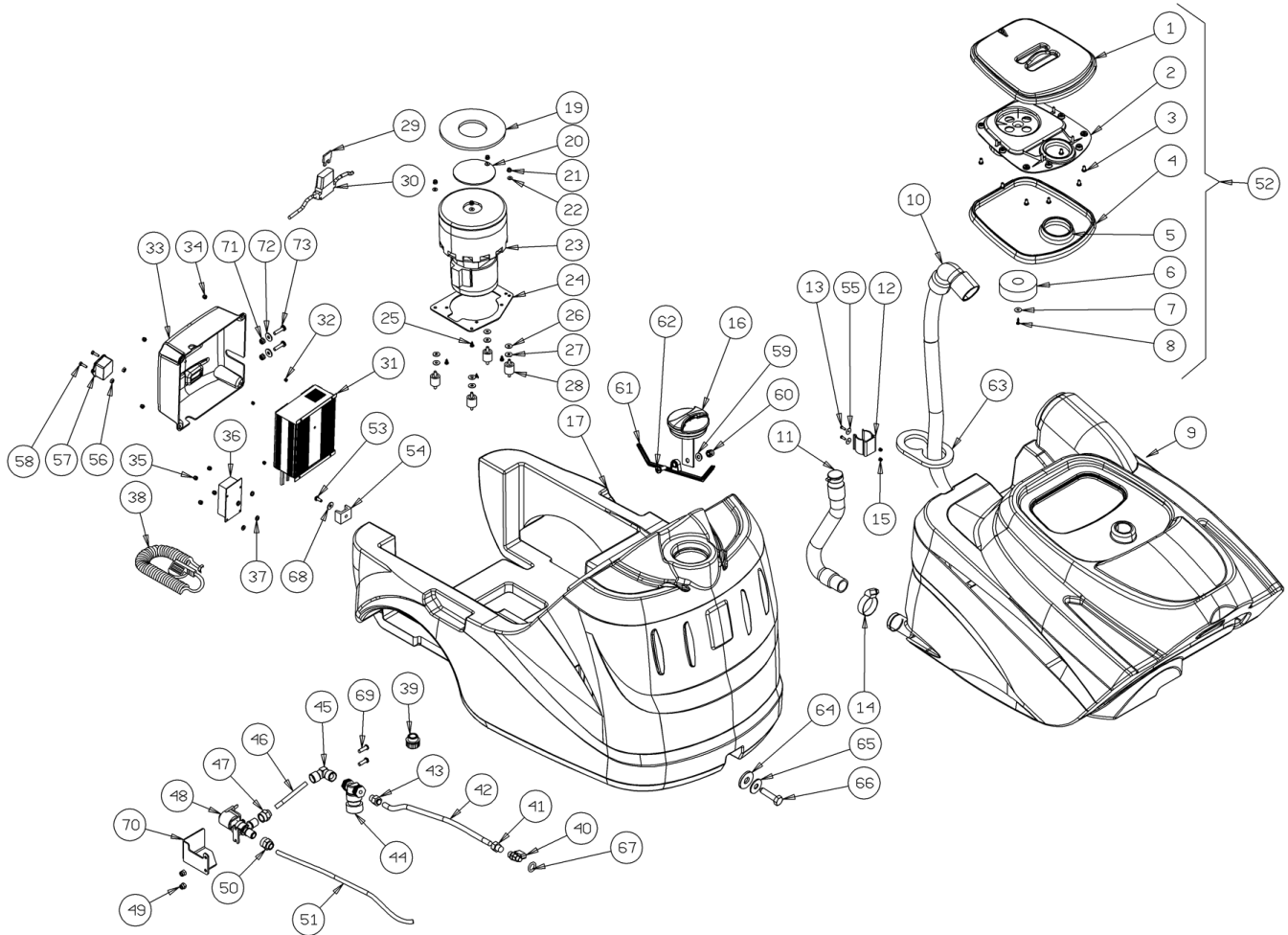
Ref.	K	Part N.	Customer Part N.	Description	Qty	Validity:		Price
						From	To	
0001		MPVR06046		CRANKCASE -	1,00			--
0002		MECB01257		CABLE RIBBON CT15	1,00	09/2015	11/2015	--
0002		MECB01326		WIRING FLAT CABLE CT45	1,00		09/2015	--
0002		MECB01396		WIRING	1,00	11/2015		--
0003		MECE00579		BOARD LOGIC CT45 24V	1,00		09/2015	--
0003		MECE00605		BOARD LOGIC CT30 24V	1,00	09/2015		--
0004		MPVR06055		COVER -	1,00			--
0005		VTVT01371		SCREW 4,8X19	14,00			--
0006		MPVR06054		SHELL SX	1,00			--
0007		MPVR06057		FAIR-LEAD -	1,00			--
0008		MPVR06047		CRANKCASE -	1,00			--
0009		MPVR06048		LEVER SX	1,00			--
0010		MLML00336		SPRING -	1,00			--
0011		MPVR06049		LEVER DX	1,00			--
0012		MECI36393		MICROSWITCH TRZ. DRW	1,00			--
0013		MPVR06050		LEVER ADJUSTMENT	1,00			--
0014		LAFN09221		LEVER RINVIO	1,00			--
0015		MPVR06298		COVER CT55	1,00			--
0016		MLML00337		SPRING -	1,00			--
0017		MPVR06052		HANDLE SUPPORT	1,00			--
0018		MPVR06056		GEAR -	1,00			--
0019		MPVR06053		SHELL DX	1,00			--
0021		MPVR06055		COVER -	1,00			--
0022		ETET01780		LABEL -	1,00		09/2015	--
0022		ETET01842		LABEL -	1,00	09/2015		--
0023		VTVT00800		SCREW TC 4X12 ZN	1,00	09/2014		--
0024		VTRS00251		WASHER 4-16 INOX A2	1,00	09/2014		--
0025		CMCV00364		CABLE -	1,00	09/2014		--
0026		MPVR49942		LEVER SHK PP	1,00	09/2014		--
0027		VTVT00796		SCREW TC 6X12	1,00	09/2014		--
0028		LAFN09248		PIN -	1,00	09/2014		--
0029		ETET01770		LABEL CT15	1,00			--
0029		ETET01773		LABEL CT15	1,00			--
0029		ETET01775		LABEL CT15	1,00			--
0030		ETET01770		LABEL CT15	1,00			--
0030		ETET01773		LABEL CT15	1,00			--
0030		ETET01775		LABEL CT15	1,00			--
0031		ETET01769		LABEL CT15	1,00			--
0031		ETET01772		LABEL CT15	1,00			--



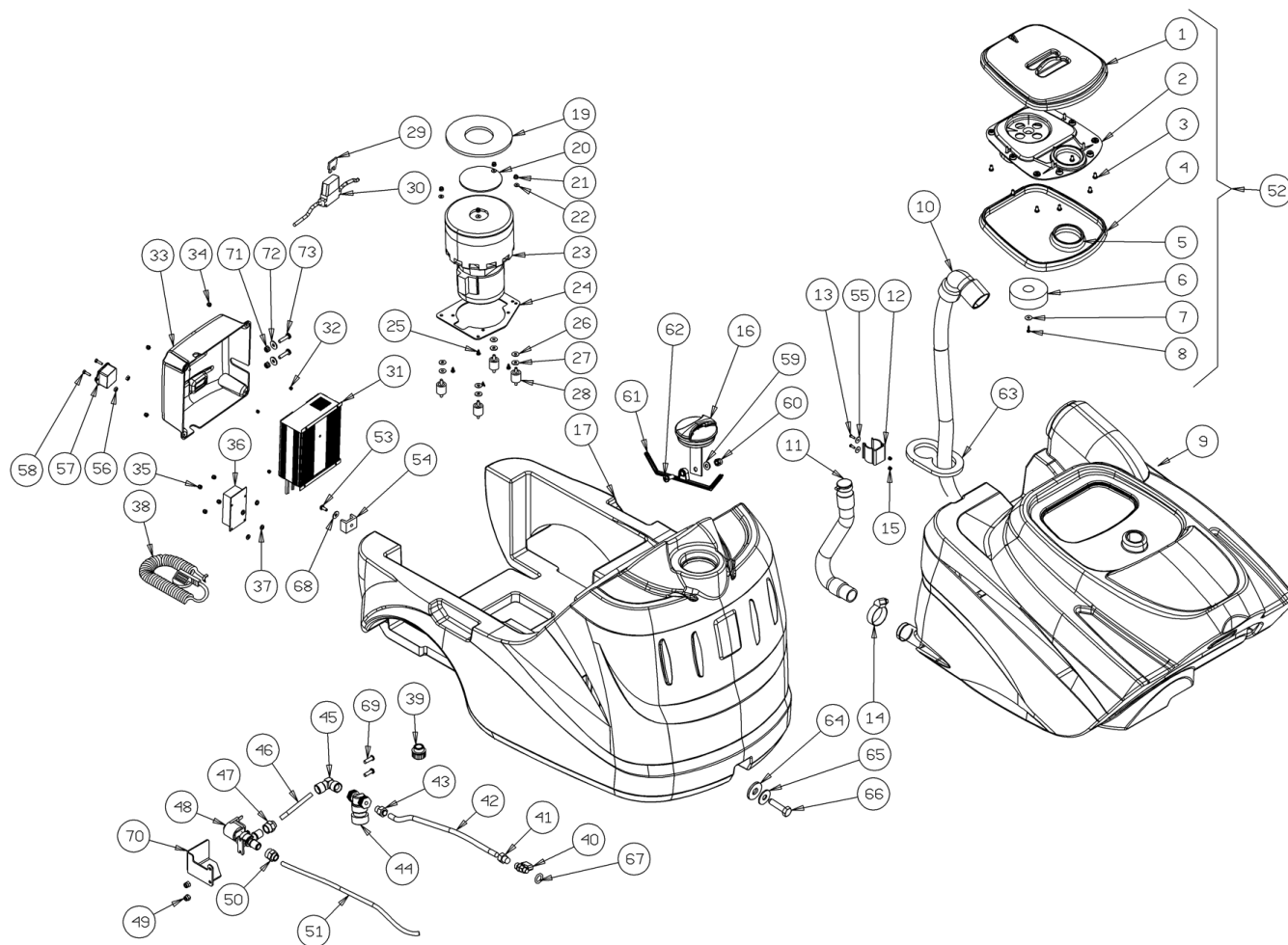
Ref. K	Part N.	Customer Part N.	Description	Qty	Validity:		Price
					From	To	
0031	ETET01774		LABEL CT15	1,00			--



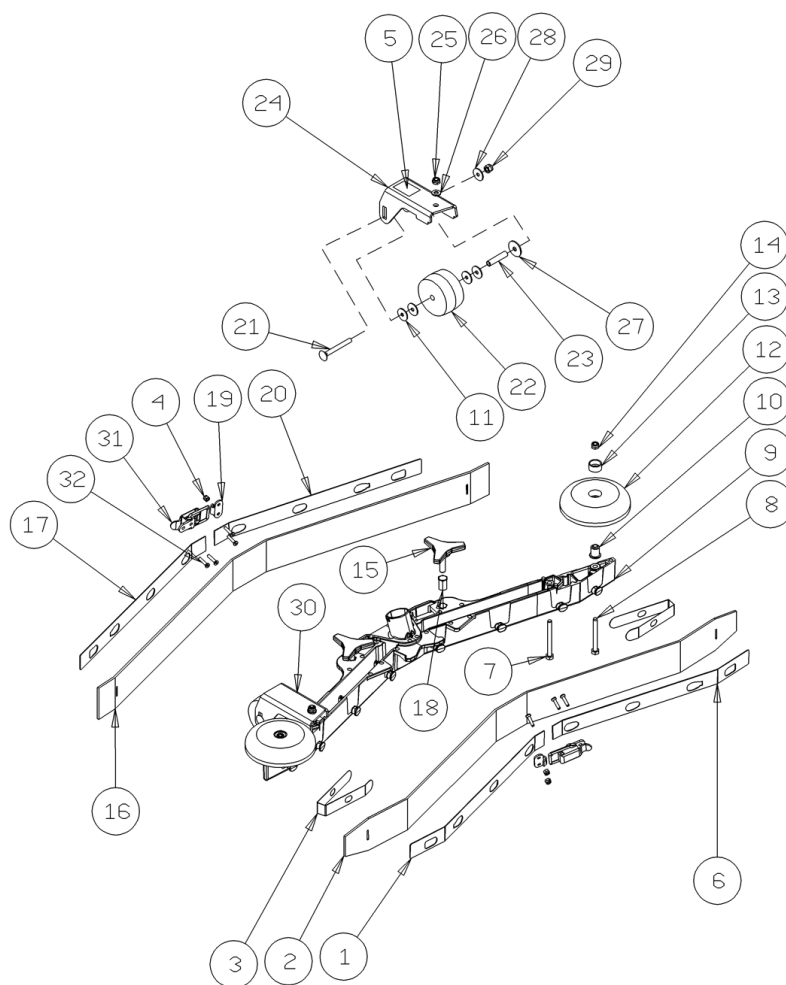
Ref.	K	Part N.	Customer Part N.	Description	Qty	Validity:		Price
						From	To	
0001		MPVR05825		COVER -	1,00			--
0002		MPVR05826		COVER -	1,00			--
0003		VTVT01694		SCREW TCB TC 5 X10 UNI 9707 TZ	8,00			--
0004		GUVR00306		GASKET -	1,00			--
0005		GUVR00307		GASKET -	1,00			--
0006		MPVR05836		FLOATER -	1,00			--
0007		VTRS00573		WASHER 30x6x3	1,00			--
0008		VTVT48694		SCREW TCB TC 5 X12 UNI 9707 TZ	1,00			--
0009		MPVR06306		TANK CT45 ROSSO	1,00			--
0010		KTRI04698		KIT REPLACEMENT TBFX00357	1,00			--
0011		TBFX00350		TUBE HOSE DRAIN CT30	1,00			--
0012		MPVR46988		CLIP LAV. SHK	1,00			--
0013		VTVT29884		SCREW TE M 4X 16 UNI 5739	2,00			--
0014		FSVR00002		CLAMP EKOFLEX 9 23-35	1,00		12/2014	--
0014		FSVR00095		CLAMP 30-45	1,00	12/2014		--
0015		VTDD04369		NUT M 4 TEF UNI 7473	2,00			--
0016		MPVR05188		CAP -	1,00			--
0017		MPVR06245		TANK CT45	1,00			--
0019		GUGO00444		GASKET -	1,00			--
0020		LAFN05830		NET FERMA FILTRO INOX	1,00			--
0021		VTDD07727		NUT M 5 INOX	4,00			--
0022		VTRS15908		WASHER D. 5 INX GRW UNI 1751	4,00			--
0023		MEVR05200		CARBON MOTORE ASP.AMET.116599-13	2,00			--
0023		MOCC00397		MOTOR VACUUM CT15-CT30	1,00			--
0024		LAFN08894		PLATE -	1,00			--
0025		VTVT48694		SCREW TCB TC 5 X12 UNI 9707 TZ	4,00			--
0026		VTRS13750		WASHER D. 5X14 INX	4,00			--
0027		VTRS13750		WASHER D. 5X14 INX	4,00			--
0028		ABGO00052		VIBRATION DAMP.-	4,00			--
0029		MEVR02048		FUSE 40A	1,00			--
0030		MECB01286		WIRING FUSE HOLDER CT30 BATTERY	1,00			--
0031		BACA00156		BATTERY-CHARGER24V 10A CT30	1,00		05/2015	--
0031		BACA00166		BATTERY-CHARGER24V 10A CT30	1,00	05/2015		--
0032		VTDD00001		NUT UNI 5588 M3 ZB	4,00			--
0033		MPVR06234		COVER CT30	1,00			--
0034		VTDD04368		NUT M 4 ZIN UNI 5588	4,00			--
0035		VTDD04368		NUT M 4 ZIN UNI 5588	4,00			--
0036		MECE00578		BOARD POWER CT15-CT30	1,00		09/2015	--
0036		MECE00606		BOARD POWER CT15-CT30-45	1,00	09/2015		--



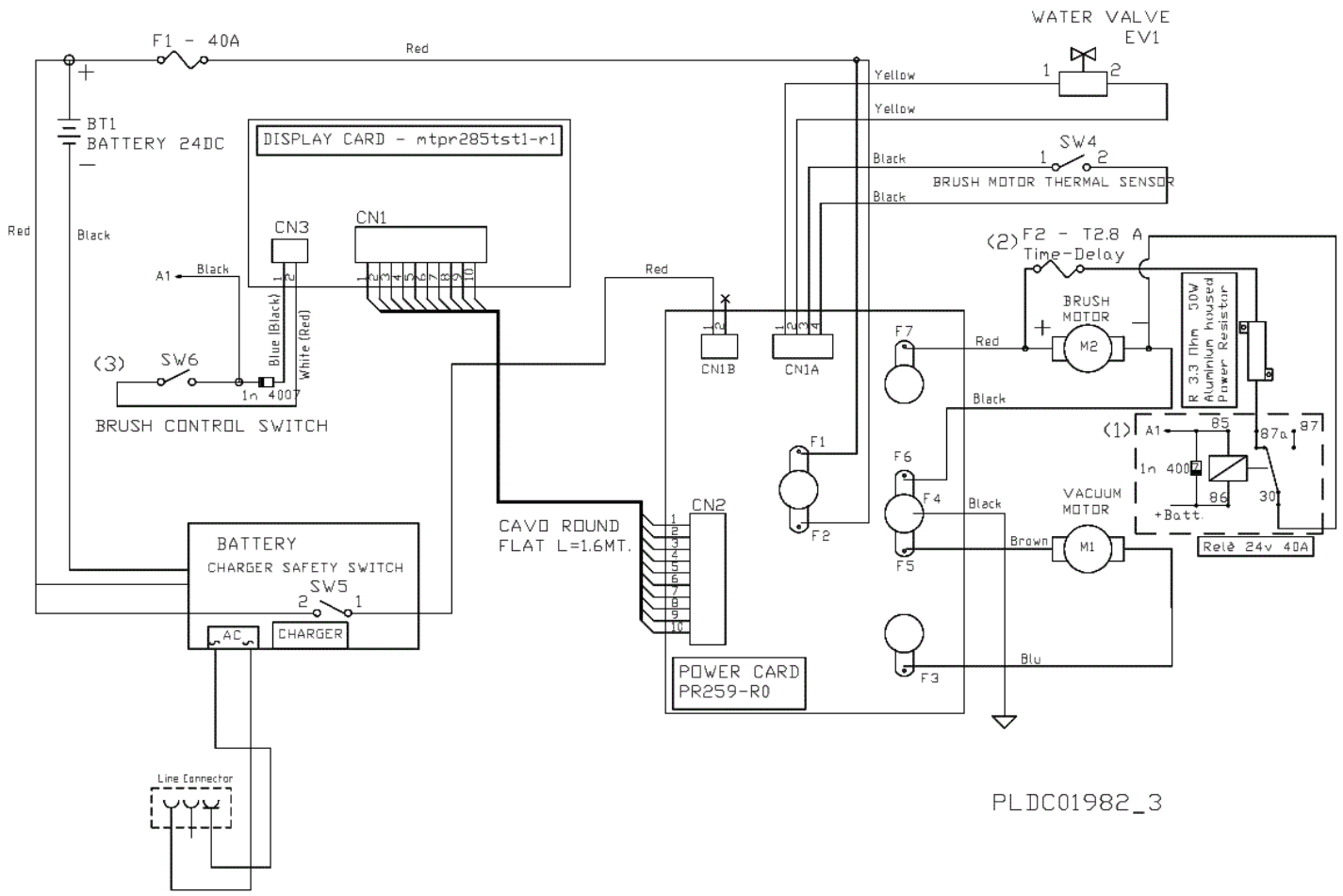
Ref.	K	Part N.	Customer Part N.	Description	Qty	Validity:		Price
						From	To	
0037		VTRS00377		WASHER M4	4,00			--
0038		MECB00922		EXTENSION 3x0,75 SHUKO PLUG	1,00			--
0039		MPVR08003		CAP	1,00			--
0040		RCGR00082		VALVE -	1,00			--
0041		RCVR00784		CONNECTOR -	1,00			--
0042		TBBP00511		TUBE -	0,33			--
0043		RCVR00784		CONNECTOR -	1,00		04/2015	--
0043		RCVR00789		CONNECTOR -	1,00	04/2015	05/2015	--
0043		RCVR00807		CONNECTOR 10 1/4	1,00	05/2015		--
0044		FTAC00044		FILTER CT15-CT30	1,00			--
0045		RCVR00773		CONNECTOR 1/4	1,00			--
0046		TBBP00481		TUBE -	0,20			--
0047		RCVR00772		CONNECTOR 1/4	1,00			--
0048		KTRIO2139		SOLENOID VALVE CT45	1,00			--
0049		VTDD00055		NUT M 4 ATB A2	2,00	05/2013		--
0049		VTVT48694		SCREW TCB TC 5 X12 UNI 9707 TZ	2,00		05/2013	--
0050		RCVR00772		CONNECTOR 1/4	1,00			--
0051		TBBP00481		TUBE -	0,48			--
0052		KTRIO1989		KIT RECOVERY LID	1,00			--
0053		VTVT00311		SCREW TE M4X12	1,00			--
0054		FSVR00243		CLAMP 20/30	1,00			--
0055		VTRS05904		WASHER D. 4 X16 2.083	2,00			--
0056		VTDD00001		NUT UNI 5588 M3 ZB	2,00			--
0057		MEVR02074		PLUG IEC	1,00			--
0058		VTVT00035		SCREW M 3X 8 TS TC ZC	2,00			--
0059		VTRS00515		WASHER D. 4 INX	1,00			--
0060		VTDD00055		NUT M 4 ATB A2	1,00			--
0061		MPVR08038		PLATE CT15-30	1,00			--
0062		VTVT15965		SCREW TCB-TC 4X12 UNI7687 INX	1,00			--
0063		MPVR04659		FLANGE	1,00			--
0064		VTRS16937		WASHER 6x24 INOX UNI 6593	1,00			--
0065		VTRS13750		WASHER D. 5X14 INX	1,00			--
0066		VTVT01376		SCREW TE M 5X 35 UNI 5739	1,00			--
0067		GUGO31088		O-RING D. 12 X 2.50 NBR 70SH	1,00			--
0068		VTRS00501		WASHER D. 4 0.232 UNI 6592	1,00			--
0069		VTVT15924		SCREW M 4X 16 TCB-TC UNI 7687	2,00	05/2013		--
0070		LAFN07948		PROTECTION ELETTROVALVOLA	1,00	05/2013		--
0071		VTDD15925		NUT M 4 INX	2,00	12/2014		--
0072		VTRS00515		WASHER D. 4 INX	2,00	12/2014		--



Ref. K	Part N.	Customer Part N.	Description	Qty	Validity:		Price
					From	To	
0073	VTVT15965		SCREW TCB-TC 4X12 UNI7687 INX	2,00	12/2014		--



Ref.	K	Part N.	Customer Part N.	Description	Qty	Validity:		Price
						From	To	
0001		LAFN09275		SHEET METAL PA.-	1,00			--
0002		MPVR06287		BLADE XS 3MM LATEX	1,00			--
0003		MPVR05897		CLOSURE S	2,00			--
0004		VTDD00210		NUT M 3 INOX	8,00			--
0005		ETET01817		LABEL -	2,00			--
0006		LAFN09276		SHEET METAL PA.-	1,00			--
0007		VTVT17342		SCREW TE M 6X 60 UNI 5739 INX	2,00			--
0008		VTVT00655		SCREW TE M. 6-55	2,00			--
0009		MFVR00143		BODY SQUEEGEE PRESSOFUSO	1,00			--
0010		LAFN04100		SPACER PER RUOTINO PARACOLPI	2,00			--
0011		VTRS00274		WASHER NYLON 66 D.8,4-17-2 UNI	4,00			--
0012		MPVR06105		SMALL WHEEL -	2,00			--
0013		MPVR49229		BUSHING SHK	2,00			--
0014		VTDD01694		NUT M6 INOX	2,00			--
0015		MPVR06004		KNOB AISI 304	2,00			--
0016		MPVR06288		BLADE XS 3MM LATEX	1,00			--
0017		LAFN09277		SHEET METAL PA.-	1,00			--
0018		VTVR00567		INSERT -	2,00			--
0019		LAFN09301		SOCKET -	2,00			--
0020		LAFN09278		SHEET METAL PA.-	1,00			--
0021		VTVT01206		SCREW M6X55	2,00			--
0022		RTRT00398		WHEEL -	2,00			--
0023		LAFN07589		SPACER -	2,00			--
0024		LAFN09217		SUPPORT SX	1,00			--
0025		VTDD01694		NUT M6 INOX	2,00			--
0026		VTRS00245		WASHER D.6 UNI 6592 INOX	2,00			--
0027		VTRS16937		WASHER 6x24 INOX UNI 6593	2,00			--
0028		VTRS13945		WASHER D. 6X18 INX UNI 6593	2,00			--
0029		VTDD15518		NUT M 6 INX	2,00			--
0030		LAFN09216		SUPPORT DX	1,00			--
0031		LAFN09302		CLOSURE -	2,00			--
0032		VTVT01070		SCREW TSTC M3X8	8,00			--



Ref.	K	Part N.	Customer Part N.	Description	Qty	Validity:		Price
						From	To	
EV1		MEEV00042		SOLENOID VALVE	1,00			--
F1		MEVR02048		FUSE 40A	1,00			--
M1		MOCC00397		MOTOR VACUUM CT15-CT30	1,00			--
M2		MOCC00406		MOTOR BRUSH CT30B	1,00			--