



# INTERPUMPGROUP

# E1

I  
GB  
F

**ISTRUZIONI D'USO**  
**INSTRUCTIONS FOR USE**  
**MODE D'EMPLOI**

D  
E  
P

**BEDIENUNGSANLEITUNG**  
**INSTRUCCIONES DE USO**  
**INSTRUÇÕES DE USO**

Questo manuale deve essere letto e compreso in accordo al libretto generico "Istruzioni d'uso e manutenzione".  
This manual must be read and followed in accordance with the generic "Instructions for Use and Maintenance" booklet.

Ce manuel doit être lu et compris en accord avec la notice générale " Mode d'emploi et d'entretien ".

Dieses Handbuch ist in Verbindung mit dem allgemeinen Handbuch " Gebrauchs- und Wartungsanleitung " zu lesen und zu verstehen.

Este manual debe leerse y comprenderse de acuerdo con el manual general "Instrucciones de uso y mantenimiento"

Este manual deve ser lido e interpretado de acordo com o livro genérico "Instruções de uso e manutenção"




## 53

# S E R I E S

Modello Model Modèle Modell Modelo Modelo	Portata Flow rate Débit Förderstrom Caudal Flujo		Pressione Pressure Pression Druck Presión Pressão			g/m rpm t/m upm r/m r/m	Potenza Power Puissance Leistung Potencia Poder		Peso Weight Poids Gewicht Peso Peso		
	L/min	gpm	bar	MPa	psi		Hp	kW	Kg	Ibs	
E1B1807	7	1.85	180	18	2610	1450	3.3	2.43	5.0	11.0	0.25
E1B1808	8	2.11	180	18	2610	1450	3.7	2.72	5.0	11.0	0.25
E1B1809	9	2.38	180	18	2610	1450	4.2	3.09	5.0	11.0	0.25
E1B1810	10	2.64	180	18	2610	1450	4.7	3.46	5.0	11.0	0.25
E1B1611	11	2.90	160	16	2320	1450	4.6	3.38	5.0	11.0	0.25
E1B1612	12	3.17	160	16	2320	1450	5.0	3.68	5.0	11.0	0.25
E1B1613	13	3.43	160	16	2320	1450	5.4	3.97	5.0	11.0	0.25
E1B1614	14	3.69	160	16	2320	1450	5.8	4.26	5.0	11.0	0.25
E1C1808	8	2.11	180	18	2610	1750	3.7	2.72	5.0	11.0	0.25
E1C1609	9	2.38	160	16	2320	1750	3.7	2.72	5.0	11.0	0.25
E1C1810	10	2.64	180	18	2610	1750	4.7	3.46	5.0	11.0	0.25
E1C1811	11	2.90	180	18	2610	1750	5.1	3.75	5.0	11.0	0.25
E1C1612	12	3.17	160	16	2320	1750	5.0	3.68	5.0	11.0	0.25
E1C1613	13	3.43	160	16	2320	1750	5.4	3.97	5.0	11.0	0.25
E1C1614	14	3.69	160	16	2320	1750	5.8	4.26	5.0	11.0	0.25

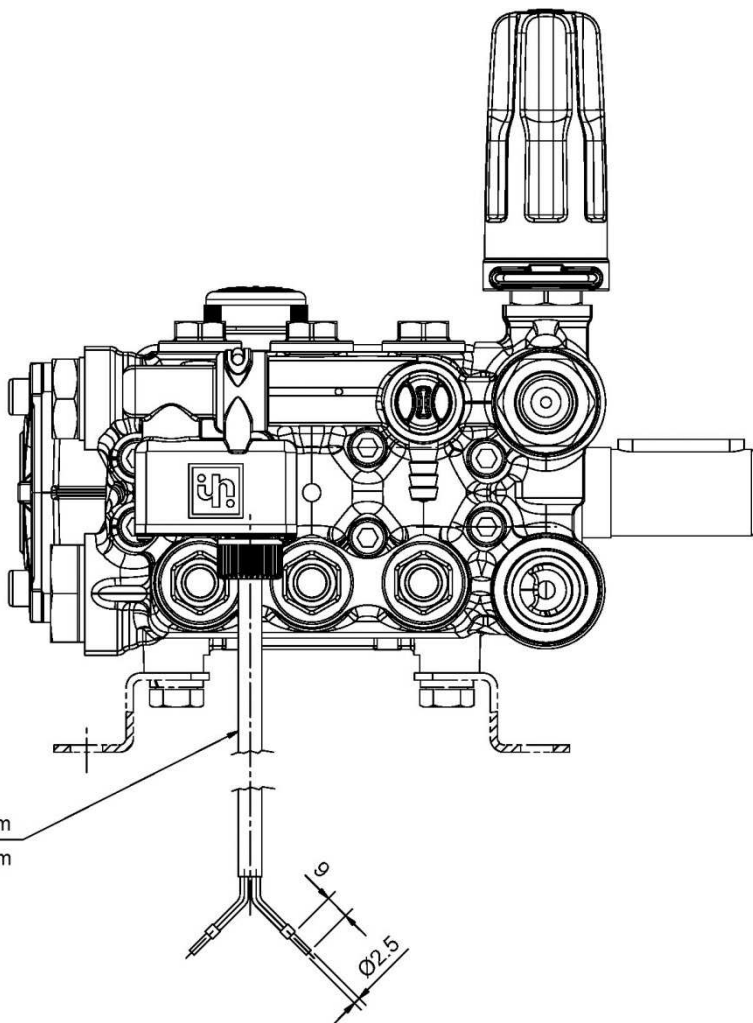


**53****S  
E  
R  
I  
E  
S**

Modello Model Modèle Modell Modelo Modelo	Portata Flow rate Débit Förderstrom Caudal Flujo		Pressione Pressure Pression Druck Presión Pressão			g/m rpm t/m upm r/m r/m	Potenza Power Puissance Leistung Potencia Poder		Peso Weight Poids Gewicht Peso Peso		
	L/min	gpm	bar	MPa	psi		Hp	kW	Kg	Ibs	
E1D1807	7	1.85	180	18	2610	2800	3.3	2.43	5.0	11.0	0.25
E1D1808	8	2.11	180	18	2610	2800	3.7	2.72	5.0	11.0	0.25
E1D1810	10	2.64	180	18	2610	2800	4.7	3.46	5.0	11.0	0.25
E1D1811	11	2.91	180	18	2610	2800	5.1	3.75	5.0	11.0	0.25
E1D1813	13	3.43	180	18	2610	2800	6.1	4.49	5.0	11.0	0.25
E1D1835	13.5	3.56	180	18	2610	2800	6.3	4.63	5.0	11.0	0.25
E1D1814	14	3.69	180	18	2610	2800	6.5	4.78	5.0	11.0	0.25
E1E3106	6	1.59	310	31	4500	3400	4.8	3.53	5.0	11.0	0.25
E1E3107	7	1.85	310	31	4500	3400	5.6	4.12	5.0	11.0	0.25
E1E1808	8	2.11	180	18	2610	3400	3.7	2.72	5.0	11.0	0.25
E1E3108	8	2.11	310	31	4500	3400	6.4	4.71	5.0	11.0	0.25
E1E3109	9	2.38	310	31	4500	3400	7.2	5.29	5.0	11.0	0.25
E1E1810	10	2.64	180	18	2610	3400	4.7	3.46	5.0	11.0	0.25
E1E3110	10	2.64	310	31	4500	3400	8.1	5.96	5.0	11.0	0.25
E1E1811	11	2.91	180	18	2610	3400	5.1	3.75	5.0	11.0	0.25
E1E2111	11	2.91	207	21	3000	3400	6,0	4,41	5.0	11.0	0.25
E1E3111	11	2.91	310	31	4500	3400	8.9	6.54	5.0	11.0	0.25
E1E1812	12	3.17	180	18	2610	3400	5.6	4.12	5.0	11.0	0.25
E1E3112	12	3.17	310	31	4500	3400	9.7	7.13	5.0	11.0	0.25
E1E1813	13	3.43	180	18	2610	3400	6.1	4.49	5.0	11.0	0.25
E1E3113	13	3.43	310	31	4500	3400	10.5	7.72	5.0	11.0	0.25
E1E1814	14	3.69	180	18	2610	3400	6.5	4.78	5.0	11.0	0,25

# Caratteristiche tecniche TOTALSTOP

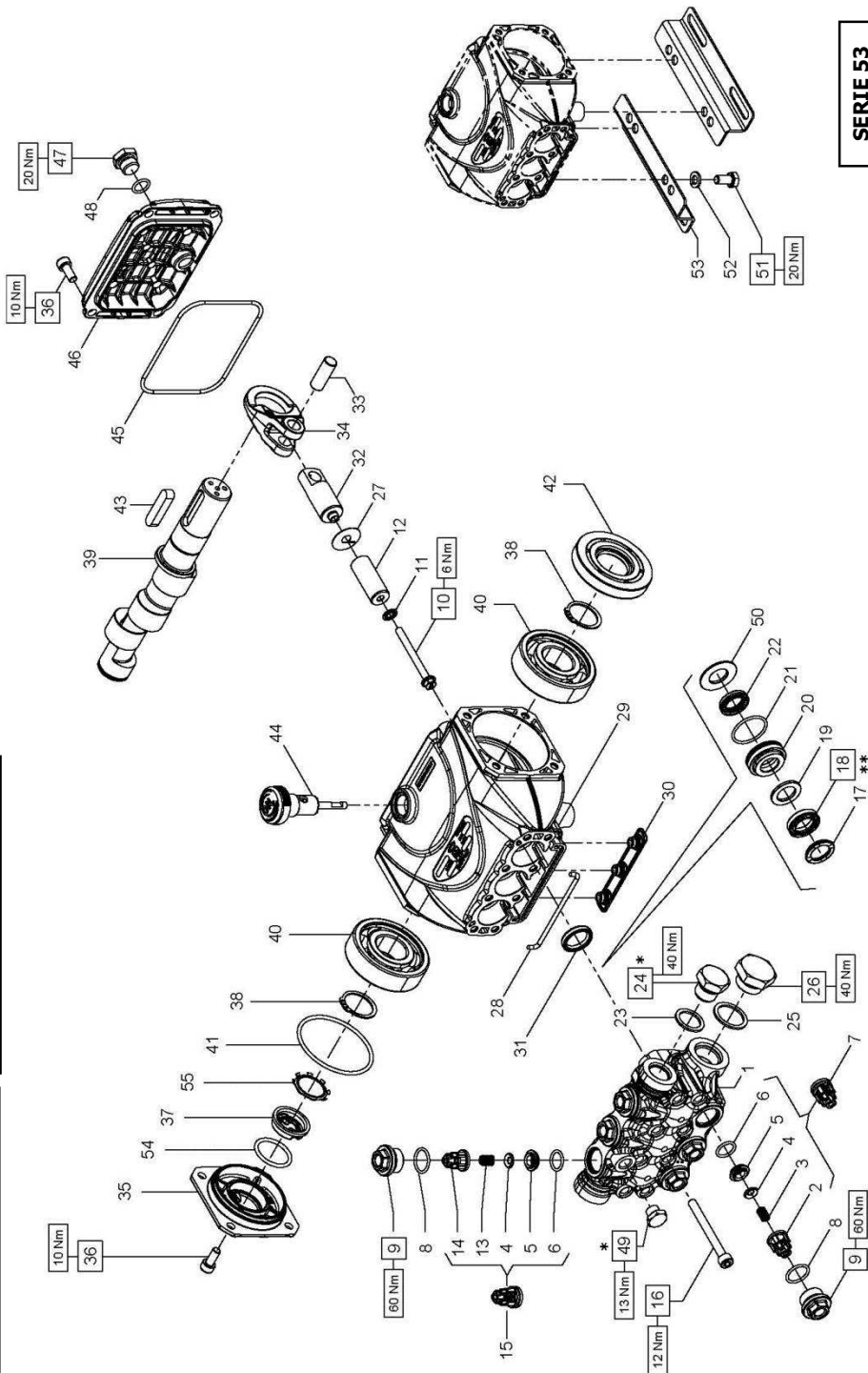
## TOTALSTOP technical specifications



<b>Tensione massima - Max. voltage</b>	250 V ~
<b>Corrente massima - Max. load</b>	16 (4) A
<b>Grado di protezione - Protection grade</b>	IP55
	Pistola chiusa - Gun closed
	Pistola aperta - Gun opened

\*\* Lubrificare con grasso di vaselina  
 \*\* To lubricate with vaseline grease  
 \*\* Lubrifier avec gras des vaseline  
 \*\* Sich mit fett zum vaselin schmieren  
 \*\* Para lubrificar con la grasa de vaselina  
 \*\* Para lubrificar com a graxa de vaselina

\* Fissare con Loctite 542 col. ROSSO  
 \* Affix with Loctite 542 col. RED  
 \* Fixer avec Loctite 542 couleur ROUGE  
 \* Mit Loctite 542 ROT Befestigen  
 \* Fixar con Loctite 542 col. VERMELHA



E1B1807 - E1B1808 - E1B1809 - E1B1810 - E1B1811 - E1B1812 - E1B1813 - E1B1814 - E1E1808 - E1E1810 - E1E1811 - E1E1812 - E1E1813 - E1E3106 - E1E3107 - E1E3108 - E1E3109 - E1E3110 - E1E3111 - E1E3112 - E1E3113 - E1E1814 - E1B1610	
KIT N°.	2 - 3 - 4 5 - 6 - 13 14 Included (7) - (15)
Posizioni include	31
Positions Included	8 - 9
Nr. Pcs.	3 + 6

PISTON D. 13		PISTON D. 15		PISTON D. 18	
E1E3106 - E1E3107 E1E3108 - E1E3109 E1E3110 - E1E3111 E1E3112 - E1E3113	E1B1807 - E1B1808 - E1B1809 E1B1810 - E1B1811 - E1B1812 E1B1813 - E1B1814 - E1B1815 E1E1808 - E1E1810 - E1E1811 E1E1812 - E1E1813 - E1E1814 E1E1815 - E1E1816	E1B1611 - E1B1612 E1B1614 - E1C1609 E1C1612 - E1C1613 E1C1614 - E1B1613 E1B1610	E1B1611 - E1B1612 E1B1614 - E1C1609 E1C1612 - E1C1613 E1C1614 - E1B1613 E1B1610	E1B1611 - E1B1612 E1B1614 - E1C1609 E1C1612 - E1C1613 E1C1614 - E1B1613 E1B1610	E1B1611 - E1B1612 E1B1614 - E1C1609 E1C1612 - E1C1613 E1C1614 - E1B1613 E1B1610

POS	COD.	DESCRIZIONE - DESCRIPTION - KIT	NR
1	53.1206.15 53.1200.15 53.1201.15	Testata pompa D. 13 Testata pompa D. 15 Testata pompa D. 18	1
2	36.2119.51	Guida valvola d'aspirazione	309 3
3	94.7326.00	Molla Dm. 6.0x12.0	309 3
4	36.2112.76	Valvola sferica	309 6
5	36.2113.66	Sede valvola	309 6
6	90.3674.00	OR D. 12.00x2.00 NBR SH. 70	309 6
7	36.7224.01	Gr. valvola d'aspirazione	309 3
8	90.3593.00	OR D. 15.60x1.78 NBR SH. 70 2062 310-333	6
9	98.2137.50 98.2137.40	Tappo M18x1.5x10 - D.15-18 Tappo M18x1.5x10 - D.13	310 333
10	99.1690.00	Vite M5x5.5	3
11	96.6905.00	Rosetta D. 5.0x11.5x0.4	3
12	63.0406.09 53.0400.09 63.0405.09	Pistone D. 13x38.5 Pistone D. 15x38.5 Pistone D. 18x38.5	3
13	94.7333.00	Molla Dm. 6.2x10.4	309 3
14	36.2111.51	Guida valvola di mandata	309 3
15	36.7193.01	Gr. valvola di mandata	309 3
16	99.1990.00	Vite M6x60 UNI 5931	8
17	44.1002.51 63.1010.51 63.1011.51	Anello di testa D. 13 Anello di testa D. 15 Anello di testa D. 18	318-319 312-313 314-315

KIT RICAMBI - SPARE KITS		PISTONE - PISTON D. 13			PISTONE - PISTON D. 15			PISTONE - PISTON D. 18			
KIT N°.	2 - 3 - 4 5 - 6 - 13 14 Included (7) - (15)	KIT 309	KIT 311	KIT 333	KIT 318	KIT 319	KIT 310	KIT 312	KIT 313	KIT 314	KIT 315
Posizioni include	31			8 - 9	17 - 18 19 - 21 22	17 - 18 19 - 20 21 - 22 50	8 - 9	17 - 18 19 - 21 22	17 - 18 19 - 20 21 - 22 50	17 - 18 19 - 21 22	17 - 18 19 - 20 21 - 22 50
Positions Included				8 - 9	17 - 18 19 - 21 22	17 - 18 19 - 20 21 - 22 50	8 - 9	17 - 18 19 - 21 22	17 - 18 19 - 20 21 - 22 50	17 - 18 19 - 21 22	17 - 18 19 - 20 21 - 22 50
Nr. Pcs.	3 + 6	3	3	6	3	1	6	3	1	6	3

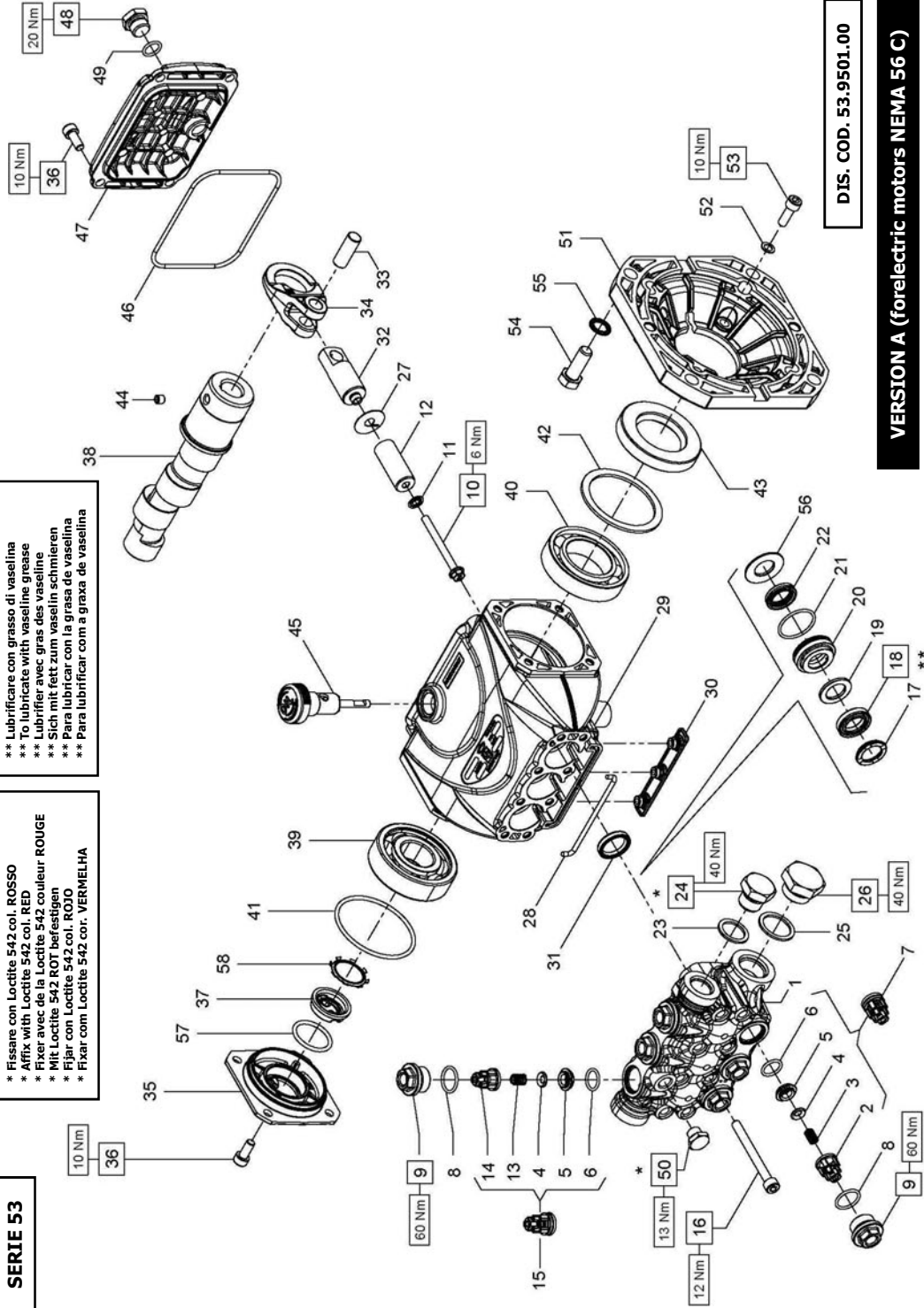
POS	COD.	DESCRIZIONE - DESCRIPTION - KIT	NR
18	90.2602.00 90.2611.00	An. ten.alt. D.13x21x4 HP An. ten.alt. D.15x24x5.4/3.4 HP	318-319 3
19	90.2653.50 90.5076.50 90.5089.90 90.5111.50	An. ten.alt. D.18x28x6/3.7 HP Anello antist. D. 13x21x3 Anello antist. D. 15x24x2 Anello antist. D. 18x28x2	314-315 318-319 312-313 314-315
20	53.2104.70 53.2101.70 53.2102.70	Supporto guarnizione D. 13 Supporto guarnizione D. 15 Supporto guarnizione D. 18	319 313 315
21	90.3604.00	OR D. 25.12x1.78 NBR SH. 70 2100 312-313-314-315-318-319	3
22	90.2608.00 90.2600.00 90.2650.00	An. ten. alt. D. 13x20x5 LP An. ten. alt. D. 15x22x5 LP An. ten. alt. D. 18x24x5 LP	318-319 312-313 314-315
23	96.7380.00	Rosetta D. 17.5x23.0x1.5	1
24	98.2100.50	Tappo G 3/8"x13 TE22 - Zinc.	1
25	96.7514.00	Rosetta D. 21.5x27.0x1.5	1
26	98.2187.00	Tappo G 1/2"x10 TE27 - Zinc.	1
27	96.6990.00	Rosetta D. 7.5x23.0x0.5	3
28	53.2103.82	Guarnizione spugna D. 3x85	1
29	53.0100.22	Carter pompa	1
30	58.2104.51	Protezione	1
31	90.1593.00	Anello rad. D. 18.0x24.0x4.0	311 3
32	53.0500.66	Guida pistone	3
33	97.7338.00	Spinotto D. 10x26.5	3
34	53.0300.22	Biella	3
35	53.1500.22	Coperchio laterale carter	1
36	99.1837.00	Vite M6x14 UNI 5931	8
37	53.2108.51	Vetrino spia livello olio	1
38	90.0635.00	Anello d'arresto A25	2

POS	COD.	DESCRIZIONE - DESCRIPTION - KIT	NR
39	60.0202.65 60.0204.65 60.0207.65 60.0209.65 60.0285.35 60.0212.35 60.0217.35 60.0283.35 60.0284.35 53.0200.35 53.0201.35	Alb. ecc. C.5 - E1D1807 E1E1808 E1E3106 Alb. ecc. C.6 - E1D1808 E1E1810 E1E3107 Alb. ecc. C.7.2 - E1C1609 E1D1810 E1E1812 E1E3108 Alb. ecc. C.8 - E1E1813 E1E3109 E1D1811 E1E1814 Alb. ecc. C.9 - E1D1813 E1E3110 Alb. ecc. C.9.4 - E1B1807 E1C1808 E1C1612 E1B1610 Alb. ecc. C.11.5 - E1B1808 E1C1810 Alb. ecc. C.10 - E1B1611 E1C1613 E1D1814 E1E3111 Alb. ecc. C.11 - E1B1612 E1C1614 E1E3112 Alb. ecc. C.13 - E1B1614 E1B1810 Alb. ecc. C.12 - E1B1809 E1C1811	1
40	91.8328.00 91.8331.00	Cuscinetto a sfere - D. 15-18 Cuscinetto a sfere - D. 13	2
41	90.3898.00	OR D. 56.82x2.62 NBR SH. 70 3225	1
42	90.1641.00	Anello rad. D. 25.0x62.0x10.0	1
43	91.4892.00	Linguetta 87x35	1
44	96.2108.00	Tappo con asta G 3/8"x45	1
45	90.3917.00	OR D. 88.57x2.62 NBR SH.70 3350	1
46	53.1600.22	Coperchio posteriore	1
47	98.2042.50	Tappo G 1/4"x9 TE17 - Zinc.	1
48	90.3585.00	OR D. 10.82x1.78 NBR SH. 70 2043	1
49	98.1968.00	Tappo G 1/8"x8	1
50	53.2105.70 53.2106.70 53.2107.70	Anello per tenuta D. 13 Anello per tenuta D. 15 Anello per tenuta D. 18	319 313 315
51	99.3037.00	Vite M8x16 UNI 5739	4
52	96.7016.00	Rosetta D. 8.4x14.4x2.0	4
53	50.2000.74	Piedino pompa	2
54	90.3859.00	OR D. 25.07x2.62 NBR SH. 70 3100	1
55	90.0671.00	Anello d'arresto Z130	1

**SERIE 53**

- \* Fissare con Loctite 542.col. ROSSO
- \* Affix with Loctite 542.col. RED
- \* Fixer avec de la Loctite 542 couleur ROUGE
- \* Mit Loctite 542 ROT befestigen
- \* Fijar con Loctite 542.col. ROJO
- \* Fixar com Loctite 542 cor. VERMELHA

- \*\* Lubrificare con grasso di vaselina
- \*\* To lubricate with vaseline grease
- \*\* Lubrifier avec gras des vaseline
- \*\* Schmier fettzahn vaselin schmierien
- \*\* Para lubricar con la grasa de vaselina
- \*\* Para lubrificar com a graxa de vaselina



**DIS. COD. 53.9501.00**

**VERSION A (forelectric motors NEMA 56 C)**

<b>E1C1808 - E1C1609 - E1C1612 - E1E1808 - E1E1811 E1E1812 - E1E1813 - E1E3106 - E1E1807</b>	
--	--

PISTON D. 13		PISTON D. 15		PISTON D. 18	
E1E3106	E1C1808 - E1E1808 - E1E1812 E1E1813 - E1E1811 - E1E1807	E1C1609 - E1C1612			

POS	COD.	DESCRIZIONE - DESCRIPTION - KIT	NR
1	53.1206.15	Testata pompa D. 13	
	53.1200.15	Testata pompa D. 15	1
	53.1201.15	Testata pompa D. 18	
2	36.2119.51	Guida valvola d'aspirazione	3
3	94.7326.00	Molla Dm. 6.0x12.0	309
4	36.2112.76	Valvola sferica	309
5	36.2113.66	Sede valvola	309
6	90.3674.00	OR D. 12.00x2.00 NBR SH. 70	309
7	36.7224.01	Gr. valvola d'aspirazione	309
8	90.3593.00	OR D. 15.60x1.78 NBR SH. 70 2062 310-333	6
9	98.2137.50	Tappo M18x1.5x10 - D.15-18	310
	98.2137.40	Tappo M18x1.5x10 - D.13	333
10	99.1690.00	Vite M5x55	3
11	96.6905.00	Rosetta D. 5.0x11.5x0.4	3
12	63.0406.09	Pistone D. 13x38.5	
	53.0400.09	Pistone D. 15x38.5	3
	63.0405.09	Pistone D. 18x38.5	
13	94.7333.00	Molla Dm. 6.2x10.4	309
14	36.2111.51	Guida valvola di mandata	309
15	36.7193.01	Gr. valvola di mandata	309
16	99.1990.00	Vite M6x60 UNI 5931	8
17	44.1002.51	Anello di testa D. 13	318-319
	63.1010.51	Anello di testa D. 15	312-313
	63.1011.51	Anello di testa D. 18	314-315
18	90.2602.00	An. ten.alt. D.13x21x4 HP	318-319
	90.2611.00	An. ten.alt. D.15x24x5,4/3,4 HP	312-313
	90.2653.50	An. ten.alt. D.18x28x6/3,7 HP	314-315

KIT RICAMBI - SPARE KITS				PISTONE - PISTON D. 13				PISTONE - PISTON D. 15				PISTONE - PISTON D. 18			
KIT Nr.	KIT 309	KIT 311	KIT 333	KIT 318	KIT 319	KIT 310	KIT 312	KIT 313	KIT 310	KIT 312	KIT 313	KIT 310	KIT 314	KIT 315	
Posizioni include Positions Included	2 - 3 - 4 5 - 6 - 13 14 (7) - (15)	31	8 - 9	17 - 18 19 - 20 21 - 22 22	17 - 18 19 - 20 21 - 22 22	8 - 9	17 - 18 19 - 20 21 - 22 22	17 - 18 19 - 20 21 - 22 22	8 - 9	17 - 18 19 - 20 21 - 22 22	17 - 18 19 - 20 21 - 22 22	8 - 9	17 - 18 19 - 20 21 - 22 22	17 - 18 19 - 20 21 - 22 22	
Nr. Pcs.	3 + 6	3	6	3	1	6	3	1	6	3	1	6	3	1	

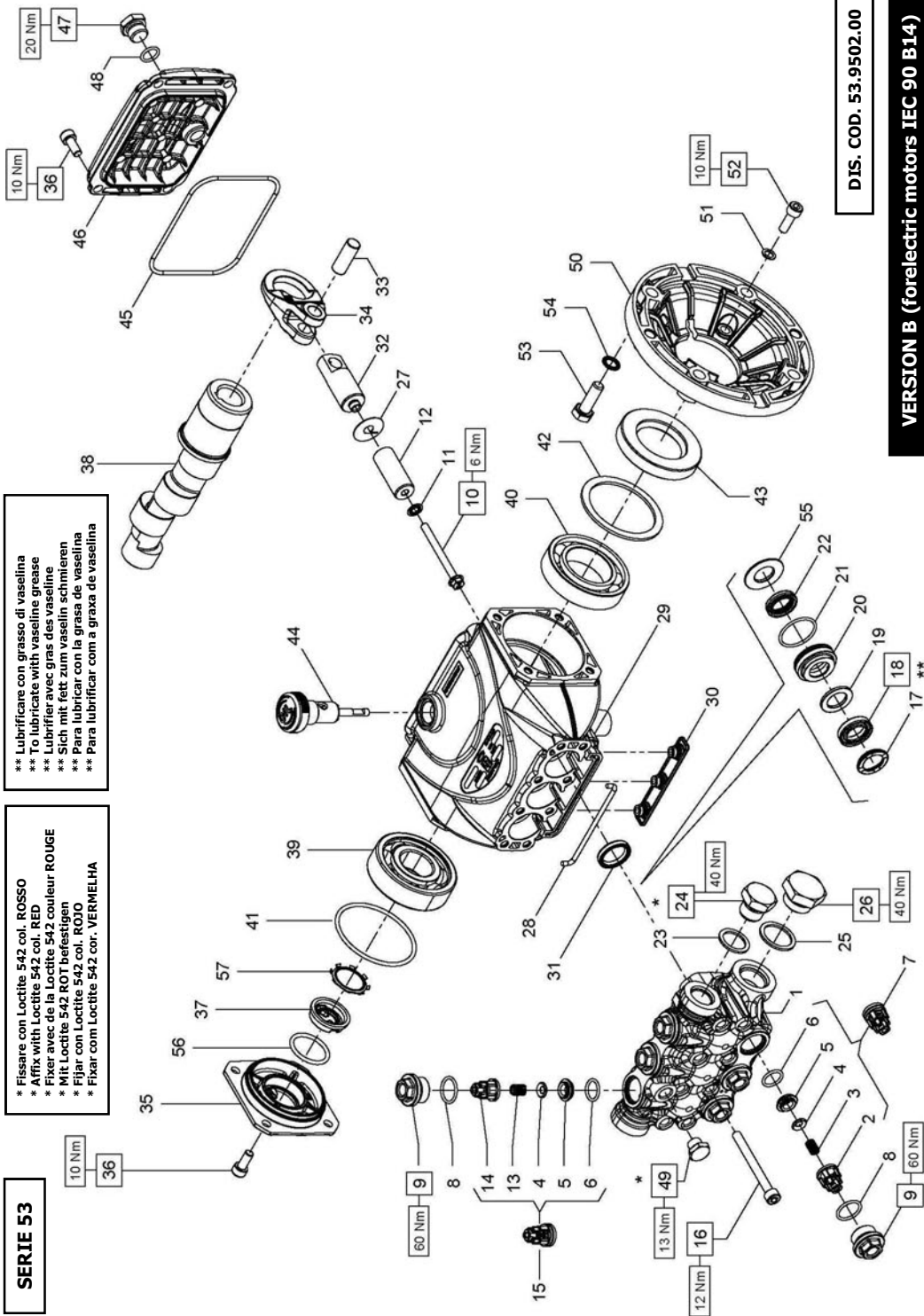
POS	COD.	DESCRIZIONE - DESCRIPTION - KIT	NR
39	91.8331.00	Cuscinetto a sfere - D. 13	1
	91.8328.00	Cuscinetto a sfere - D. 15-18	
40	91.8465.00	Cuscinetto a sfere - D. 13	1
	91.8464.00	Cuscinetto a sfere - D. 15-18	
41	90.3898.00	OR D. 56.82x2.62 NBR SH. 70 3225	1
42	60.2101.89	Rondella distanziale	1
43	90.1675.00	Anello rad. 35.0x62.0x10.0	1
44	99.1790.00	Vite M6x06 5929	1
45	98.2108.00	Tappo con sta G 3/8"x45	1
46	90.3917.00	OR D. 88.57x2.62 NBR SH.70 3350	1
47	53.1600.22	Coperchio posteriore	1
48	98.2042.50	Tappo G 1/4"x9 TE17 - Zinc.	1
49	90.3585.00	OR D. 10.82.1.78 NBR SH. 70 2043	1
50	98.1968.00	Tappo G 1/8"x8	1
51	10.0344.22	Rosetta per motore elettrico 56C	1
52	96.6938.00	Rosetta D. 6.4x10.0x0.7	4
53	99.1867.00	Vite M6x18 UNI 5931	4
54	99.3345.00	Vite 3/8"x16	4
55	96.7104.00	Rosetta D. 10.5x16.0x1.0	4
56	53.2105.70	Anello per tenuta D. 13	319
	53.2106.70	Anello per tenuta D. 15	313
	53.2107.70	Anello per tenuta D. 18	315
57	90.3859.00	OR D. 25.07x2.62 NBR SH. 70 3100	1
58	90.0671.00	Anello d'arresto ZJ30	1

POS	COD.	DESCRIZIONE - DESCRIPTION - KIT	NR
19	90.5076.50	Anello antist. D. 13x21x3	318-319
	90.5089.90	Anello antist. D. 15x24x2	312-313
	90.5111.50	Anello antist. D. 18x28x2	314-315
20	53.2104.70	Supporto guarnizione D. 13	319
	53.2101.70	Supporto guarnizione D. 15	313
	53.2102.70	Supporto guarnizione D. 18	315
21	90.3604.00	OR D. 25.12x1.78 NBR SH. 70 2100 312-313-314-315-318-319	3
22	90.2601.00	An. ten. alt. D. 13x20x5 LP	318-319
	90.2608.00	An. ten. alt. D. 15x22x5 LP	312-313
	90.2650.00	An. ten. alt. D. 18x24x5 LP	314-315
23	96.7380.00	Rosetta D. 17.5x23.0x1.5	1
24	98.2100.50	Tappo G 3/8"x13 TE22 - Zinc.	1
25	96.7514.00	Rosetta D. 21.5x27.0x1.5	1
26	98.2187.00	Tappo G 1/2"x10 TE27 - Zinc.	1
27	96.6990.00	Rosetta D. 7.5x23.0x0.5	3
28	53.2103.82	Guarnizione spugna D. 3x85	1
29	53.0100.22	Carter pompa	1
30	58.2104.51	Protezione	1
31	90.1593.00	Anello rad. D. 18.0x24.0x4.0	311
32	53.0500.66	Guida pistone	3
33	97.7338.00	Spinotto D. 10x26.5	3
34	53.0300.22	Biella	3
35	53.1500.22	Coperchio laterale carter	1
36	99.1837.00	Vite M6x14 UNI 5931	8
37	53.2108.51	Vetrino spia livello olio	1
	60.0222.65	Alb. Ecc. C.4.0 - E1E1807	
	60.0224.65	Alb. Ecc. C.5.0 - E1E1808 E1E3106	
	60.0227.65	Alb. Ecc. C.6.5 - E1E1811	
	60.0229.65	Alb. Ecc. C.7.2 - E1C1609 E1E1812	
	60.0229.65	Alb. Ecc. C.8.0 - E1E1813	
	60.0234.65	Alb. Ecc. C.9.4 - E1C1808 E1C1612	
38			1

# SERIE 53

- \* Fissare con Loctite 542 col. ROSSO
- \* Affix with Loctite 542 col. RED
- \* Fixer avec de la Loctite 542 couleur ROUGE
- \* Pitt Loctite 542 ROT befestigen
- \* Fijar con Loctite 542 col. ROJO
- \* Fixar com Loctite 542 cor. VERMELHA

- \*\* Lubrificare con grasso di vaselina
- \*\* To lubricate with vaseline grease
- \*\* Lubrifier avec gras des vaselines
- \*\* Sich mit fett zum vaselin schmieren
- \*\* Para lubricar con la grasa de vaselina
- \*\* Para lubrificar con a graxa de vaselina



DIS. COD. 53.9502.00

**VERSION B (foreelectric motors IEC 90 B14)**



POS	COD.	DESCRIZIONE - DESCRIPTION - KIT	NR
40	91.8464.00	Cuscinetto a sfere	1
41	90.3898.00	OR D. 56.82x2.62 NBR SH. 70 3225	1
42	60.2101.89	Rondella distanza	1
43	90.1675.00	Anello rad. D. 35.0x62.0x10.0	1
44	98.2108.00	Tappo con asta G 3/8"x45	1
45	90.3917.00	OR D. 88.57x2.62 NBR SH.70 3350	1
46	53.1600.22	Coperchio posteriore	1
47	98.2042.50	Tappo G 1/4"x9 TE17 - Zinc.	1
48	90.3585.00	OR D. 10.82.1.78 NBR SH. 70 2043	1
49	98.1968.00	Tappo G 1/8"x8	1
50	10.0345.22	Flangia per motore elettrico B	1
51	96.6938.00	Rosetta D. 6.4x10.0x0.7	4
52	99.1867.00	Vite M6x18 UNI 5931	4
53	99.3067.00	Vite M8x25 UNI 5739	4
54	96.7014.00	Rosetta D. 8.4x13.0x0.7	4
55	53.2106.70 53.2107.70	Anello per tenuta D. 15 Anello per tenuta D. 18	313 315
56	90.3859.00	OR D. 25.07x2.62 NBR SH. 70 3100	1
57	90.0671.00	Anello d'arresto ZJ30	1

KIT RICAMBI - SPARE KITS							
KIT Nr.	KIT 309	PISTONE - PISTON D. 15		PISTONE - PISTON D. 18			
		KIT 310	KIT 311	KIT 312	KIT 313	KIT 314	KIT 315
Posizioni include Positions included	2 - 3 - 4 5 - 6 - 13 14 (7) - (15)	8 - 9	31	17 - 18 19 - 20 19 - 21 21 - 22 22	17 - 18 19 - 20 19 - 21 21 - 22 22	17 - 18 19 - 20 19 - 21 21 - 22 22	17 - 18 19 - 20 21 - 22 55
Nr. Pcs.	3 + 6	6	3	3	1	3	1

POS	COD.	DESCRIZIONE - DESCRIPTION - KIT	NR
20	53.2101.70 53.2102.70	Supporto guarnizione D. 15 Supporto guarnizione D. 18	313 315
21	90.3604.00	OR D. 25.12x1.78 NBR SH. 70 2100 312-313-314-315	3
22	90.2608.00 90.2650.00	An. ten. alt. D. 15x22x5 LP An. ten. alt. D. 18x24x5 LP	312-313 314-315
23	96.7380.00	Rosetta D. 17.5x23.0x1.5	1
24	98.2100.50	Tappo G 3/8"x13 TE22 - Zinc.	1
25	96.7514.00	Rosetta D. 21.5x27.0x1.5	1
26	98.2187.00	Tappo G 1/2"x10 TE27 - Zinc.	1
27	96.6990.00	Rosetta D. 7.5x23.0x0.5	3
28	53.2103.82	Guarnizione spugna D. 3x85	1
29	53.0100.22	Carter pompa	1
30	58.2104.51	Protezione	1
31	90.1593.00	Anello rad. D. 18.0x24.0x4.0	311
32	53.0500.66	Guida pistone	3
33	97.7338.00	Spinotto D. 10x26.5	3
34	53.0300.22	Biella	3
35	53.1500.22	Coperchio laterale carter	1
36	99.1837.00	Vite M6x14 UNI 5931	8
37	53.2108.51	Vetrino spia livello olio	1
38	60.0248.65 60.0251.65 60.0253.65 60.0286.65 60.0256.65 60.0261.65 53.0202.65	Alb. Ecc. C. 6.0 - EID1808 Alb. Ecc. C. 7.2 - EID1810 Alb. Ecc. C. 8.0 - EID1811 Alb. Ecc. C. 9.0 - EID1813 Alb. Ecc. C. 9.4 - EID1807 EID1810 Alb. Ecc. C. 11.5 - EID1808 EID1813 Alb. Ecc. C. 13.0 - EID1810	1
39	91.8328.00	Cuscinetto a sfere	1

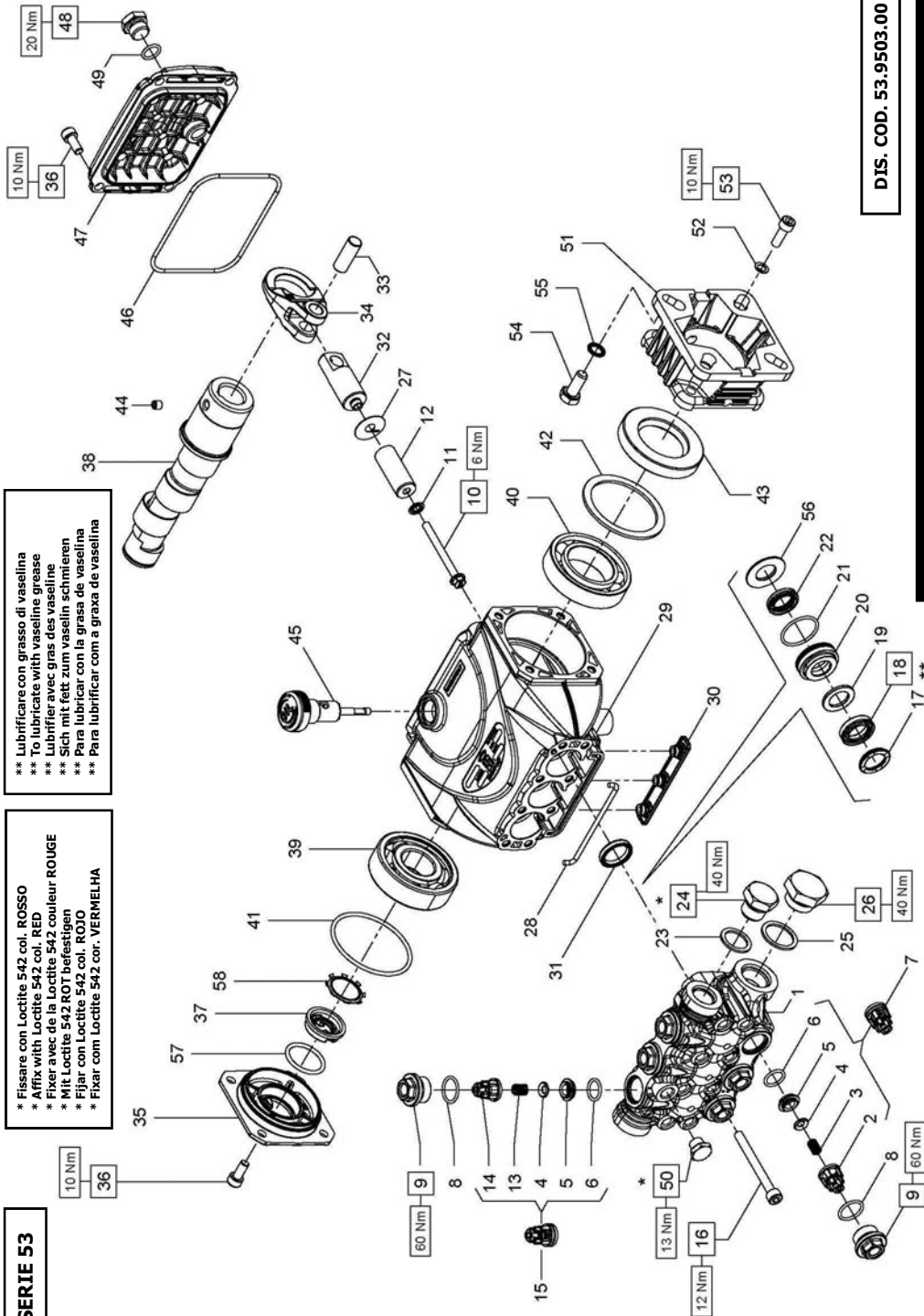
KIT RICAMBI - SPARE KITS			
KIT Nr.	KIT 309	PISTON D. 18	
		KIT 310	KIT 311
Posizioni include Positions included	2 - 3 - 4 5 - 6 - 13 14 (7) - (15)	8 - 9	31
Nr. Pcs.	3 + 6	6	3

POS	COD.	DESCRIZIONE - DESCRIPTION - KIT	NR
1	53.1200.15 53.1201.15	Testata pompa D. 15 Testata pompa D. 18	1
2	36.2119.51	Guida valvola d'aspirazione	309
3	94.7326.00	Molla Dm. 6.0x12.0	309
4	36.2112.76	Valvola sferica	309
5	36.2113.66	Sede valvola	309
6	90.3674.00	OR D. 12.00x2.00 NBR SH. 70	309
7	36.7224.01	Gr. valvola d'aspirazione	309
8	90.3593.00	OR D. 15.60x1.78 NBR SH. 70 2062	310
9	98.2137.50	Tappo M18x1.5x10	310
10	99.1690.00	Vite M5x55	3
11	96.6905.00	Rosetta D. 5.0x11.5x0.4	3
12	53.0400.09 63.0405.09	Pistone D. 15x38.5 Pistone D. 18x38.5	3
13	94.7333.00	Molla Dm. 6.2x10.4	309
14	36.2111.51	Guida valvola di mandata	309
15	36.7193.01	Gr. valvola di mandata	309
16	99.1990.00	Vite M6x60 UNI 5931	8
17	63.1010.51 63.1011.51	Anello di testa D. 15 Anello di testa D. 18	312-313 314-315
18	90.2611.00 90.2653.50	An. ten.alt. D.15x24x5.4/3.4 HP An. ten.alt. D.18x28x6/3.7 HP	312-313 314-315
19	90.5089.90 90.5111.50	Anello antitest. D. 15x24x2 Anello antitest. D. 18x28x2	312-313 314-315

**SERIE 53**

- \* Fissare con Loctite 542 col. ROSSO
- \* Affix with Loctite 542 col. RED
- \* Fixer avec de la Loctite 542 couleur ROUGE
- \* Mit Loctite 542 ROT befestigen
- \* Fijar con Loctite 542 col. ROJO
- \* Fixar com Loctite 542 cor. VERMELHA

- \*\* Lubrificare con grasso di vaselina
- \*\* To lubricate with vaseline grease
- \*\* Lubrifier avec gras des vaselline
- \*\* Schmier mit fett zum vaselin schmierien
- \*\* Para lubrificar con la grasa de vaselina
- \*\* Para lubrificar com a graxa de vaselina



**DIS. COD. 53.9503.00**

**VERSION C 3/4" (gasoline engines SAE J 609 type A ext.3)**

**E1E1808 - E1E1811 - E1E1812  
E1E1813 - E1E2111**

POS	COD.	DESCRIZIONE - DESCRIPTION - KIT	NR
1	53.1200.15	Testata pompa D. 15	1
2	36.2119.51	Guida valvola d'aspirazione	309 3
3	94.7326.00	Molla Dm. 6.0x12.0	309 3
4	36.2112.76	Valvola sferica	309 6
5	36.2113.66	Sede valvola	309 6
6	90.3674.00	OR D. 12.00x2.00 NBR SH. 70	309 6
7	36.7224.01	Gr. valvola d'aspirazione	309 3
8	90.3593.00	OR D. 15.60x1.78 NBR SH. 70 2062 310	6
9	98.2137.50	Tappo M18x1.5x10	310 6
10	99.1690.00	Vite M5x55	3 6
11	96.6905.00	Rosetta D. 5.0x11.5x0.4	3 3
12	53.0400.09	Pistone D. 15x38.5	3 3
13	94.7333.00	Molla Dm. 6.2x10.4	309 3
14	36.2111.51	Guida valvola di mandata	309 3
15	36.7193.01	Gr. valvola di mandata	309 3
16	99.1990.00	Vite M6x60 UNI 5931	8 3
17	63.1010.51	Anello di testa D. 15	312-313 3
18	90.2611.00	An. ten.alt. D.15x24x5.4/3.4 HP 312-313	3 3
19	90.5089.90	Anello antest. D. 15x24x2	312-313 3
20	53.2101.70	Supporto guarnizione D. 15	313 3
21	90.3604.00	OR D. 25.12x1.78 NBR SH. 70 2100 312-313	3 3
22	90.2608.00	An. ten. alt. D. 15x22x5 LP	312-313 3
23	96.7380.00	Rosetta D. 17.5x23.0x1.5	1 1
24	98.2100.50	Tappo G 3/8"x13 TE22 - Zinc.	1 1
25	96.7514.00	Rosetta D. 21.5x27.0x1.5	1 1
26	98.2187.00	Tappo G 1/2"x10 TE27 - Zinc.	1 1

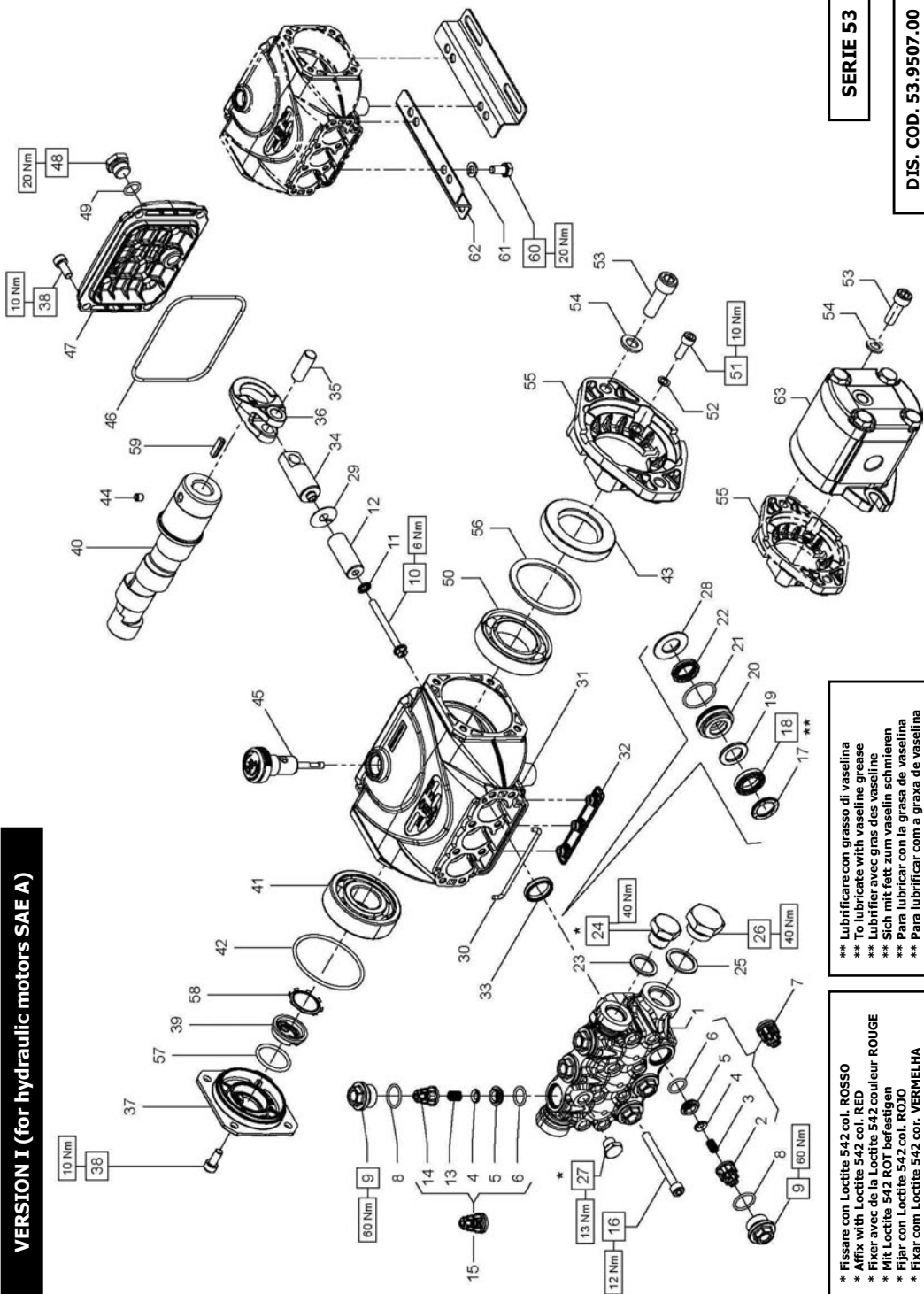
POS	COD.	DESCRIZIONE - DESCRIPTION - KIT	NR
27	96.6990.00	Rosetta D. 7.5x23.0x0.5	3 3
28	53.2103.82	Guarnizione spugna D. 3x85	1 1
29	53.0100.22	Cartier pompa	1 1
30	58.2104.51	Protezione	1 1
31	90.1593.00	Anello rad. D. 18.0x24.0x4.0	311 3
32	53.0500.66	Guida pistone	3 3
33	97.7338.00	Spinotto D. 10x26.5	3 3
34	53.0300.22	Biella	3 3
35	53.1500.22	Coperchio laterale carter	1 1
36	99.1837.00	Vite M6x14 UNI 5931	8 8
37	53.2108.51	Vetrino spia livello olio	1 1
38	60.0268.65 60.0271.65 60.0273.65 60.0275.65	Alb. ecc. C. 5.0 - E1E1808 Alb. ecc. C. 6.5 - E1E1811 E1E2111 Alb. ecc. C. 7.2 - E1E1812 Alb. ecc. C. 8.0 - E1E1813	1 1
39	91.8328.00	Cuscinetto a sfere	1 1
40	91.8464.00	Cuscinetto a sfere	1 1
41	90.3898.00	OR D. 56.82x2.62 NBR SH. 70 3225	1 1
42	60.2101.89	Rondella distanziale	1 1
43	90.1675.00	Anello rad. D. 35.0x62.0x10.0	1 1
44	99.1790.00	Vite M6x6 UNI 5929	1 1
45	98.2108.00	Tappo con asta G 3/8"x45	1 1
46	90.3917.00	OR D. 88.57x2.62 NBR SH.70 3350	1 1
47	53.1600.22	Coperchio posteriore	1 1
48	98.2042.50	Tappo G 1/4"x9 TE17 - Zinc.	1 1
49	90.3585.00	OR D. 10.82.1.78 NBR SH. 70 2043	1 1
50	98.1968.00	Tappo G 1/8"x8	1 1
51	10.0652.22	Flangia per motore a scoppio C 3/4"	1 1
52	96.6938.00	Rosetta D. 6.4x10.0x0.7	4 4

**KIT RICAMBI - SPARE KITS**

KIT Nr.	KIT 309	KIT 311	KIT 310	KIT 312	KIT 313
Posizioni include Positions included	2 - 3 - 4 5 - 6 - 13 14 (7) - (15)	31	8 - 9	17 - 18 19 - 21 22	17 - 18 19 - 20 21 - 22 57
Nr. Pcs.	3 + 6	3	6	3	1

POS	COD.	DESCRIZIONE - DESCRIPTION - KIT	NR
53	99.1867.00	Vite M6x18 UNI 5931	4 4
54	99.2730.00	Vite 5/16"x24"	4 4
55	96.7014.00	Rosetta D. 8.4x13.0x0.7	4 4
56	53.2106.70	Anello per tenuta D. 15	313 3
57	90.3859.00	Or d. 25.07x2.62 NBR SH. 70 3100	1 1
58	90.0671.00	Anello d'arresto Z130	1 1

# VERSION I (for hydraulic motors SAE A)



**SERIE 53**

**DIS. COD. 53.9507.00**

\*\* Lubrificare con grasso di vaselina  
 \*\* To lubricate with vaseline grease  
 \*\* Lubrifier avec gras des vaseline  
 \*\* Sich mit fett zum vaselin schmieren  
 \*\* Para lubricar con la grasa de vaselina  
 \*\* Para lubrificar com a graxa de vaselina

\* Fissare con Loctite 542 col. ROSSO  
 \* Affix with Loctite 542 col. RED  
 \* Fixer avec de la Loctite 542 couleur ROUGE  
 \* Mit Loctite 542 ROT befestigen  
 \* Fijar con Loctite 542 col. ROJO  
 \* Fixar com Loctite 542 cor. VERMELHA

**E1B1614 - E1D1835**

**KIT RICAMBI - SPARE KITS**

KIT Nr.	KIT 309	KIT 310	KIT 311	KIT 312	PISTONE - PISTON D. 15		PISTONE - PISTON D. 18	
					KIT 313	KIT 314	KIT 315	KIT 316
Posizioni include Positions included	2 - 3 - 4 5 - 6 - 13 14 (7) - (15)	8 - 9	31	17 - 18 19 - 20 21 - 22 22	17 - 18 19 - 20 21 - 22 22	17 - 18 19 - 20 21 - 22 22	17 - 18 19 - 20 21 - 22 25	
Nr. Pcs.	3 + 6	6	3	3	1	3	1	

PISTON D. 15		PISTON D. 18	
E1D1835		E1B1614	
POS	COD.	DESCRIZIONE - DESCRIPTION - KIT	NR
1	53.1200.15 53.1201.15	Testata pompa D. 15 Testata pompa D. 18	1
2	36.2119.51	Guida valvola d'aspirazione	309 3
3	94.7326.00	Molla Dm. 6.0x12.0	309 3
4	36.2112.76	Valvola sferica	309 6
5	36.2113.66	Sede valvola	309 6
6	90.3674.00	OR D. 12.00x2.00 NBR SH. 70	309 6
7	36.7224.01	Gr. valvola d'aspirazione	309 3
8	90.3593.00	OR D. 15.60x1.78 NBR SH. 70 2062	310 6
9	98.2137.50	Tappo M18x1.5x10	310 6
10	99.1690.00	Vite M5x55	3
11	96.6905.00	Rosetta D. 5.0x11.5x0.4	3
12	53.0400.09 63.0405.09	Pistone D. 15x38.5 Pistone D. 18x38.5	3
13	94.7333.00	Molla Dm. 6.2x10.4	309 3
14	36.2111.51	Guida valvola di mandata	309 3
15	36.7193.01	Gr. valvola di mandata	309 3
16	99.1990.00	Vite M6x60 UNI 5931	8
17	63.1010.51 63.1011.51	Anello di testa D. 15 Anello di testa D. 18	312-313 314-315
18	90.2611.00 90.2653.50	An. ten.alt. D.15x24x5.4/3.4 HP An. ten.alt. D.18x28x6/3.7 HP	312-313 314-315
19	90.5089.90 90.5111.50	Anello antiest. D. 15x24x2 Anello antiest. D. 18x28x2	312-313 314-315
20	53.2101.70 53.2102.70	Supporto guarnizione D. 15 Supporto guarnizione D. 18	313 315

POS	COD.	DESCRIZIONE - DESCRIPTION - KIT	NR
21	90.3604.00	OR D. 25.12x1.78 NBR SH. 70 2100 312-313-314-315	3
22	90.2608.00 90.2650.00	An. ten. alt. D. 15x22x5 LP An. ten. alt. D. 18x24x5 LP	312-313 314-315
23	96.7380.00	Rosetta D. 17.5x23.0x1.5	1
24	98.2100.50	Tappo G 3/8"x13 TE22 - Zinc.	1
25	96.7514.00	Rosetta D. 21.5x27.0x1.5	1
26	98.2187.00	Tappo G 1/2"x10 TE27 - Zinc.	1
27	98.1968.00	Tappo G 1/8"x8	1
28	53.2106.70 53.2107.70	Anello per tenuta D. 15 Anello per tenuta D. 18	313 315
29	96.6990.00	Rosetta D. 7.5x23.0x0.5	3
30	53.2103.82	Guarnizione spugna D. 3x85	1
31	53.0100.22	Carter pompa	1
32	58.2104.51	Protezione	1
33	90.1593.00	Anello rad. D. 18.0x24.0x4.0	311
34	53.40500.66	Guida pistone	3
35	97.7338.00	Spinotto D. 10x26.5	3
36	53.0300.22	Biella	3
37	53.1500.22	Coperchio laterale carter	1
38	99.1837.00	Vite M6x14 UNI 5931	8
39	53.2108.51	Vetrino spia livello olio	1
40	60.0234.65 53.0205.65	Alb. ecc. C.9.4 - E1D1835 Alb. ecc. C.13 - E1B1614	1
41	91.8328.00	Cuscinetto a sfere - D. 15	1
42	90.3898.00	OR D. 56.82x2.62 NBR SH. 70 3225	1
43	90.1675.00	Anello rad. 35.0x62.0x10.0	1
44	99.1790.00	Vite M6x06 5929	1
45	98.2108.00	Tappo con asta G 3/8"x45	1
46	90.3917.00	OR D. 88.57x2.62 NBR SH.70 3350	1

POS	COD.	DESCRIZIONE - DESCRIPTION - KIT	NR
47	53.1600.22	Coperchio posteriore	1
48	98.2042.50	Tappo G 1/4"x9 TEL7 - Zinc.	1
49	90.3585.00	OR D. 10.82.1.78 NBR SH. 70 2043	1
50	91.8464.00	Cuscinetto a sfere	1
51	99.1867.00	Vite M06x18 5931	4
52	96.6938.00	Rosetta D. 6.4x10.0x0.7	4
53	99.3686.00	Vite M10x30 5931	2
54	96.7103.00	Rosetta D. 10.5x18.0x2.0	2
55	10.0763.22	Flangia per motore idraulico SAE A	1
56	60.2101.89	Rondella distanziale	1
57	90.385900	OR D. 25.07x2.62 NBR 70SH 3100	1
58	90.0671.00	Anello d'arresto Z130	1
59	91.4685.00	Linguetta 4.0/4.8x18.0	1
60	99.3037.00	Vite M8x16 UNI 5739	4
61	96.7016.00	Rosetta D. 8.4x14.4x2.0	4
62	50.2000.74	Piedino pompa	2
63	95.1060.00	Motore ingr. 014R / S-A cil / G	1

# VH VERSION

VERSIONE CON VALVOLA DI REGOLAZIONE AUT. – VERSION WITH BUILT-IN AUT. UNLOADER

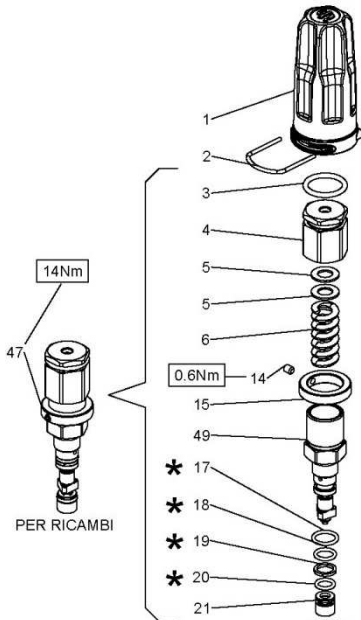
VERSION AVEC RÉGULATEUR AUT. DE PRESSION INCORPORÉ

AUSFÜHRUNG MIT EINGEBAUTEM AUT. DRUCKREGULIERVENTIL

VERSIÓN CON REGULADOR AUT. DE PRESIÓN INCORPORADO - VERSÃO COM VÁLVULA DO REGULAMENTO AUT.

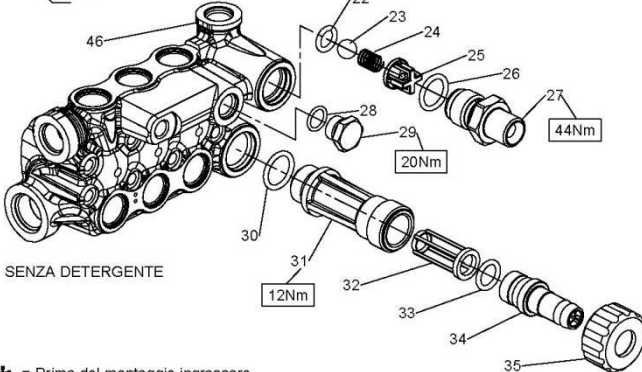
SERIE 53

OPTIONALS

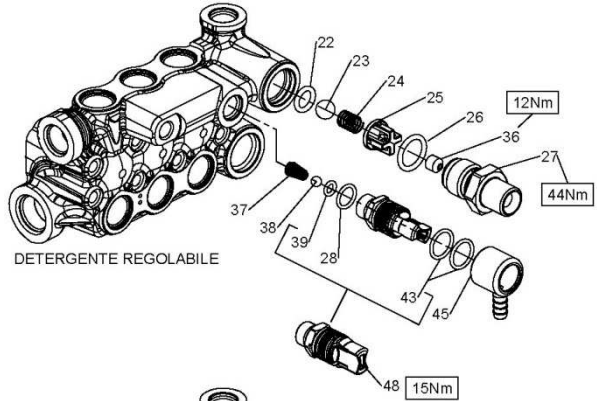


0.6Nm

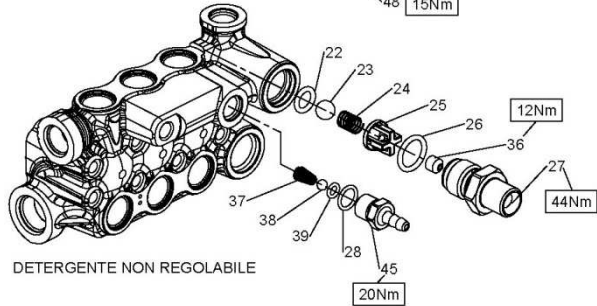
- \* 17
- \* 18
- \* 19
- \* 20



SENZA DETERGENTE



DETERGENTE REGOLABILE



DETERGENTE NON REGOLABILE

\* = Prima del montaggio Ingrassare.  
- Usare grasso di vaselina per pompe.

DIS. COD. 36.9563.00

# VH VERSION

**VERSIONE CON VALVOLA DI REGOLAZIONE AUT. – VERSION WITH BUILT-IN AUT. UNLOADER**  
**VERSION AVEC RÉGULATEUR AUT. DE PRESSION INCORPORÉ**  
**AUSFÜHRUNG MIT EINGEBAUTEM AUT. DRUCKREGULIERVENTIL**  
**VERSIÓN CON REGULADOR AUT. DE PRESIÓN INCORPORADO - VERSÃO COM VÁLVULA DO REGULAMENTO AUT.**

POS	COD.	DESCRIZIONE – DESCRIPTION - KIT	NR
1	36.3506.51	Pomolo di regolazione	1
2	10.0846.66	Forcella per pomolo di regolazione	1
3	90.3845.00	OR D. 18.72x2.62 NBR 70SH 3075	1
4	36.3481.70	Registro di pressione	1
5	36.3486.51	Rondella di scorrimento	2
6	94.7395.00	Molla Dm. 11.3x34.5	1
14	99.1267.00	Vite M4x5 5929	1
15	36.3477.70	Ghiera di pressione massima	1
17	90.3587.00	OR D. 11.11x1.78 NBR 70SH 114	1
18	90.3581.00	OR D. 8.73x1.78 NBR 70SH 108	1
19	90.5038.00	Anello antiest. D. 9.0x12.0x1.5	1
20	90.3578.00	OR D. 7.66x1.78 NBR 70SH 2031	1
21	36.3483.66	Sede valvola	1
22	90.3823.00	OR D. 9.92x2.62 NBR 70SH 112	278 1
23	97.4838.00	Sfera D. 13/32"	278 1
24	94.7355.00	Molla Dm. 8.5x12.0	278 1
25	36.3104.51	Guida valvola	278 1
26	90.3839.00	OR D. 15.88x2.62 NBR 70SH 121	278 1
27	36.3479.70 36.3490.70 36.3489.70 36.3488.70 36.3487.70	Nipplo G 3/8" – M – D. 3 Nipplo 3/8" NPT – F – D. 3 Nipplo G 3/8" – F – D. 3 Nipplo M22x1.5 – D. 3 Nipplo 3/8" NPT – M – D. 3	1
28	90.3585.00	OR D. 10.82x1.78 NBR 70SH 2043 280 348	1
29	98.2041.00	Tappo G 1/4"x9	1
36	10.0795.66	Ugello per iniettore D. 2	1
37	94.8217.00	Molla conica D. 4.3/7.3x11.0	280 348 1
38	97.4782.00	Sfera D. 7/32"	280 348 1
39	90.3573.00	OR D. 5.28x1.78 NBR 70SH 2021 280 348	1
43	90.3591.00	OR D. 14.00x1.78 NBR 70SH 2056	348 2
45	36.3492.70 36.0235.51	Portagomma Portagomma orientabile	280 348 1
46	53.1207.15 53.1202.15 53.1203.15 53.1208.15 53.1204.15 53.1205.15	Testata pompa con valv. int. DX D. 13 Testata pompa con valv. int. DX D. 15 Testata pompa con valv. int. DX D. 18 Testata pompa con valv. int. SX D. 13 Testata pompa con valv. int. SX D. 15 Testata pompa con valv. int. SX D. 18	1
47	36.6054.01	Gr. valvola	278 1

POS	COD.	DESCRIZIONE – DESCRIPTION - KIT	NR
48	36.6062.01	Gr. aspirazione detergente	248 1
49	36.6063.01	Gr. guida + otturatore	1
<b>OPTIONALS</b>			
30	90.3841.00	OR D. 17.13x2.62 NBR 70SH 3068	1
31	36.3182.51	Nipplo aspirazione G 3/4"	1
32	92.8925.00	Filtro D. 12x35	1
33	90.3828.00	OR D. 12.37x2.62 NBR 70SH 3050	1
34	36.2569.51	Portagomma aspirazione	1
35	92.9828.00	Ghiera G 3/4" – D. 15	1

## KIT RICAMBI - SPARE KITS

KIT NR.	KIT 278	KIT 348	KIT 280
Posizioni include Positions included	22 - 23 24 - 25 26 - 47	28 - 37 38 - 39 43 - 45 48	28 - 37 38 - 39 45
Nr. Pcs.	1	1+2	1

# VH VERSION – TOTALSTOP

VERSIONE CON VALVOLA DI REGOLAZIONE AUT. – VERSION WITH BUILT-IN AUT. UNLOADER

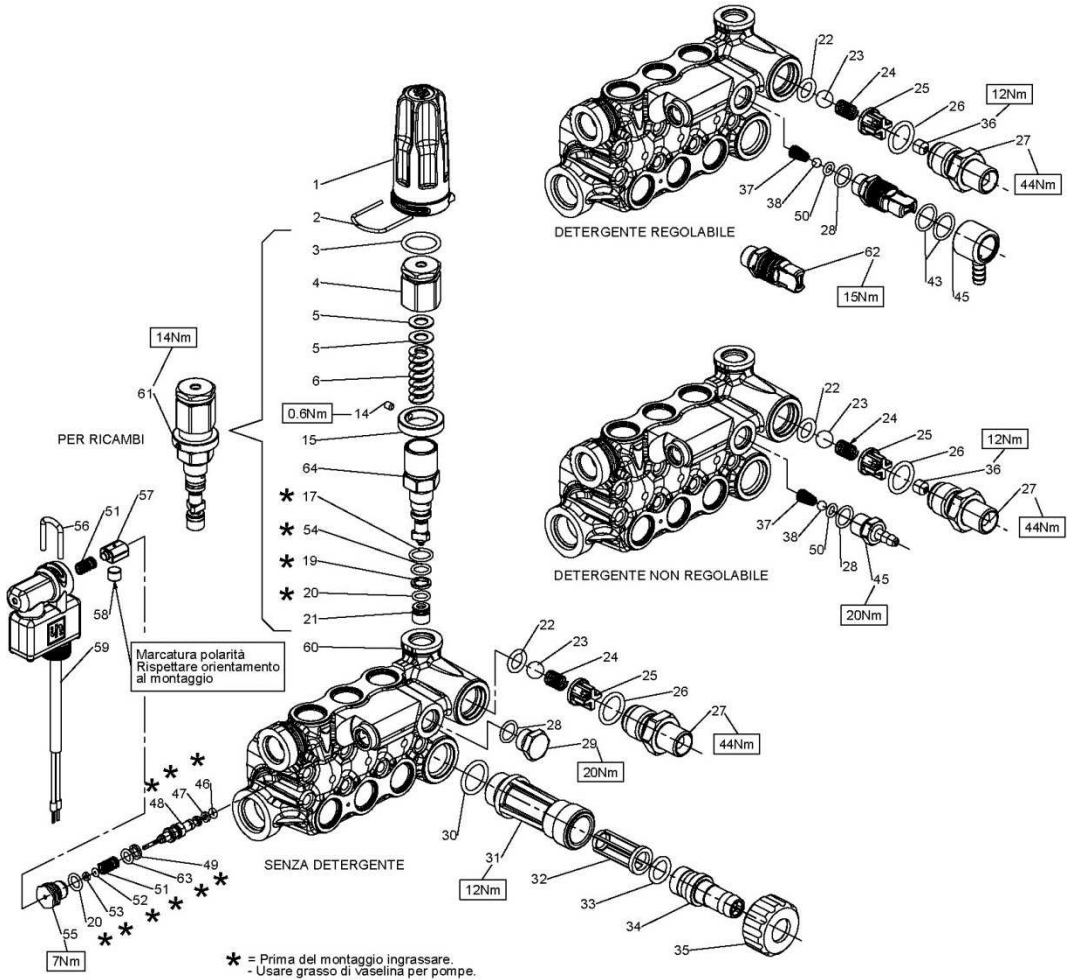
VERSION AVEC RÉGULATEUR AUT. DE PRESSION INCORPORÉ

AUSFÜHRUNG MIT EINGEBAUTEM AUT. DRUCKREGULIERVENTIL

VERSIÓN CON REGULADOR AUT. DE PRESIÓN INCORPORADO - VERSÃO COM VÁLVULA DO REGULAMENTO AUT.

SERIE 53

OPTIONALS



DIS. COD. 36.9575.00



# VH VERSION - TOTALSTOP

**VERSIONE CON VALVOLA DI REGOLAZIONE AUT. – VERSION WITH BUILT-IN AUT. UNLOADER  
VERSION AVEC RÉGULATEUR AUT. DE PRESSION INCORPORÉ  
AUSFÜHRUNG MIT EINGEBAUTEM AUT. DRUCKREGULIERVENTIL**

**VERSIÓN CON REGULADOR AUT. DE PRESIÓN INCORPORADO - VERSÃO COM VÁLVULA DO REGULAMENTO AUT.**

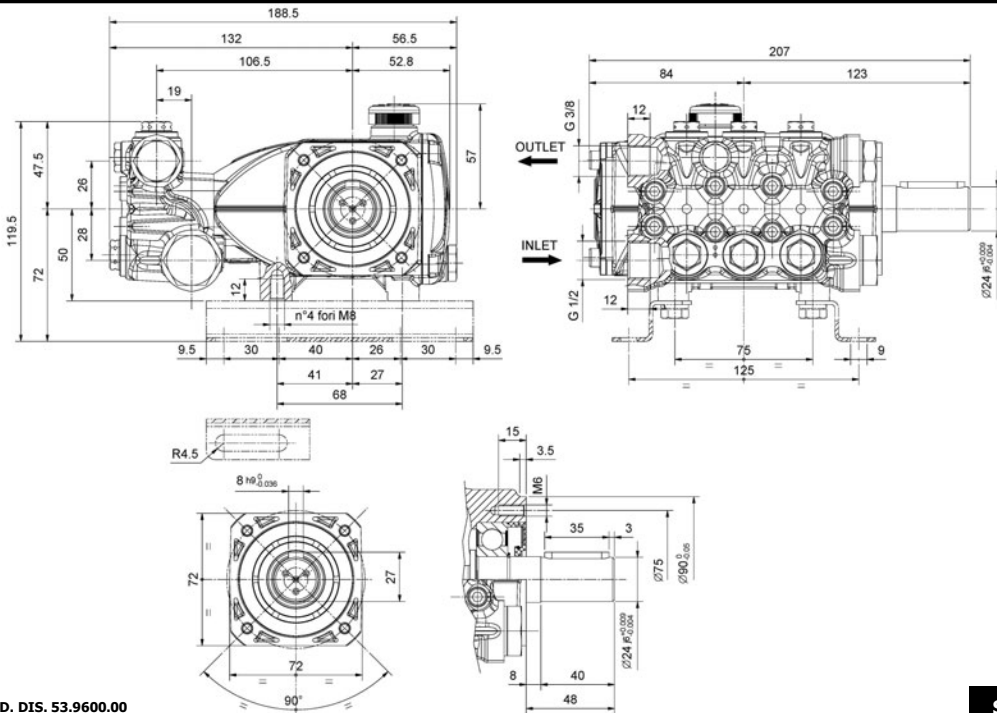
POS	COD.	DESCRIZIONE – DESCRIPTION - KIT	NR
1	36.3506.51	Pomolo di regolazione	1
2	10.0846.66	Forcella per pomolo di regolazione	1
3	90.3845.00	OR D. 18.72x2.62 NBR 70SH 3075	1
4	36.3481.70	Registro di pressione	1
5	36.3486.51	Rondella di scorrimento	2
6	94.7395.00	Molla Dm. 11.3x34.5	1
14	99.1267.00	Vite M4x5 5929	1
15	36.3477.70	Ghiera di pressione massima	1
17	90.3587.00	OR D. 11.11x1.78 NBR 70SH 114	1
19	90.5038.00	Anello antiest. D. 9.0x12.0x1.5	1
20	90.3578.00	OR D. 7.66x1.78 NBR 70SH 2031	354 2
21	36.3483.66	Sede valvola	1
22	90.3823.00	OR D. 9.92x2.62 NBR 70SH 112	278 1
23	97.4838.00	Sfera D. 13/32"	278 1
24	94.7355.00	Molla Dm. 8.5x12.0	278 1
25	36.3104.51	Guida valvola	278 1
26	90.3839.00	OR D. 15.88x2.62 NBR 70SH 121	278 1
27	36.3479.70 36.3490.70 36.3489.70 36.3488.70 36.3487.70	Niplo G 3/8" – M – D. 3 Niplo 3/8" NPT – F – D. 3 Niplo G 3/8" – F – D. 3 Niplo M22x1.5 – D. 3 Niplo 3/8" NPT – M – D. 3	1
28	90.3585.00	OR D. 10.82x1.78 NBR 70SH 2043 280 348	1
29	98.2041.00	Tappo G 1/4"x9	1
36	10.0795.66	Ugello per iniettore D. 2	1
37	94.8217.00	Molla conica D. 4.3/7.3x11.0	280 348 1
38	97.4782.00	Sfera D. 7/32"	280 348 1
43	90.3591.00	OR D. 14.00x1.78 NBR 70SH 2056	348 2
45	36.3492.70 36.0235.51	Portagomma Portagomma orientabile	280 348 1
46	90.3566.00	OR D. 2.90x1.78 HNBR 70SH 2012	354 1
47	90.5004.00	Anello antiest. D. 3.2x6.0x1.5	354 1
48	36.3514.66	Pistoncino TOTALSTOP	354 1
49	90.5021.00	Anello antiest. D. 6.1x9.0x1.5	354 1
50	90.3573.00	OR D. 5.28x1.78 NBR 70SH 2021 280 348	1
51	94.7333.50	Molla Dm. 6.3x16.0	354 2
52	90.3562.00	OR D. 1.78x1.78 NBR 90SH 2007	354 1

POS	COD.	DESCRIZIONE – DESCRIPTION - KIT	NR
53	90.5000.00	Anello antiest. D. 2.0x5.0x1.5	354 1
54	90.3581.00	OR D. 8.73x1.78 NBR 70SH 108	1
55	36.3504.70	Guida pistone TOTALSTOP	354 1
56	10.0611.66	Forcella di fermo	1
57	36.0240.51	Slitta porta-magnete	1
58	36.3515.00	Magnete	1
59	36.6013.01	Gr. TOTALSTOP	1
60	53.1209.15 53.1210.15 53.1211.15 53.1212.15 53.1213.15 53.1214.15	Testata pompa con t.stop DX D. 13 Testata pompa con t.stop DX D. 15 Testata pompa con t.stop DX D. 18 Testata pompa con t.stop SX D. 13 Testata pompa con t.stop SX D. 15 Testata pompa con t.stop SX D. 18	1
61	36.6054.01	Gr. valvola	278 1
62	36.6062.01	Gr. aspirazione detergente	248 1
63	90.3573.50	OR D. 5.28x1.78 HNBR 70SH 2021 354	1
64	36.6063.01	Gr. guida + otturatore	1
<b>OPTIONALS</b>			
30	90.3841.00	OR D. 17.13x2.62 NBR 70SH 3068	1
31	36.3182.51	Niplo aspirazione G 3/4"	1
32	92.8925.00	Filtro D. 12x35	1
33	90.3828.00	OR D. 12.37x2.62 NBR 70SH 3050	1
34	36.2569.51	Portagomma aspirazione	1
35	92.9828.00	Ghiera G 3/4" – D. 15	1

## KIT RICAMBI - SPARE KITS

KIT NR.	KIT 278	KIT 348	KIT 280	KIT 354
Posizioni incluse Positions included	22 - 23 24 - 25 26 - 61	28 - 37 38 - 43 45 - 50 62	28 - 37 38 - 45 50	20 - 46 47 - 48 49 - 51 52 - 53 55 - 63
Nr. Pcs.	1	1÷2	1	1

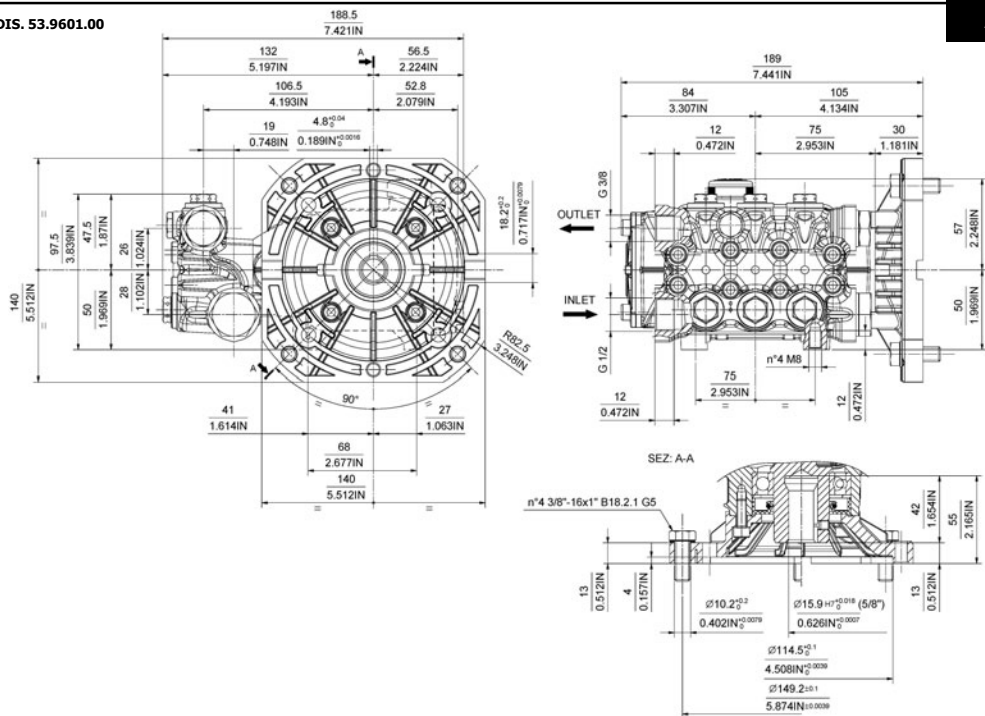
**DIMENSIONI D'INGOMBRO – OVERALL DIMENSIONS – DIMENSIONS D'ENCOMBREMENT  
RAUMBEDARF – DIMENSIONES TOTALES – DIMENSÕES**



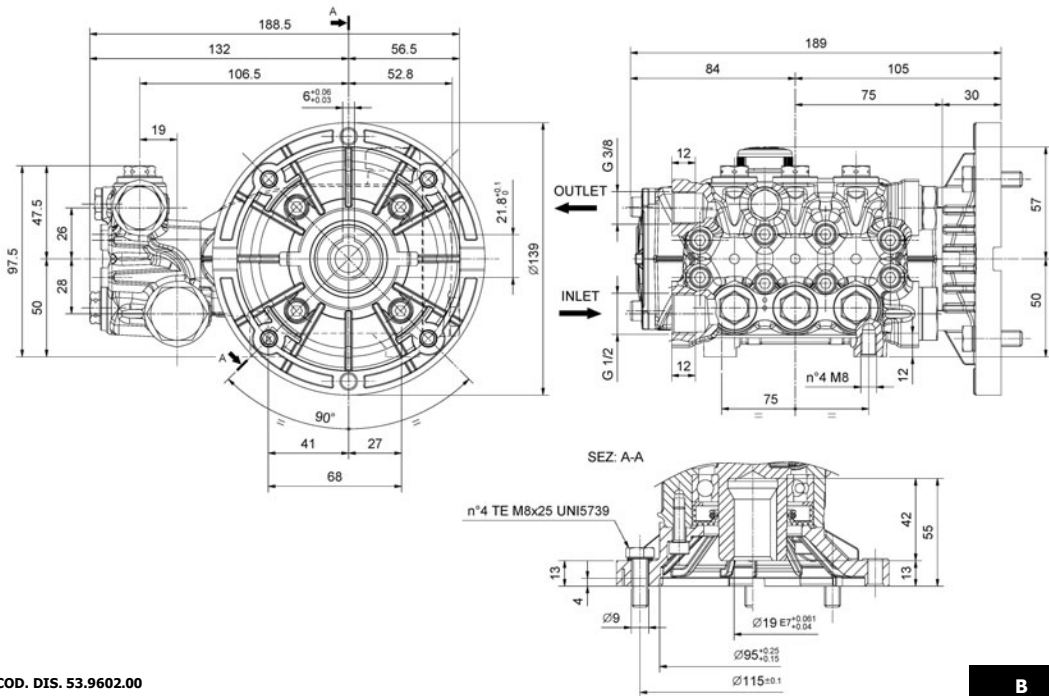
COD. DIS. 53.9600.00

**STD.**  
**A**

COD. DIS. 53.9601.00



**DIMENSIONI D'INGOMBRO – OVERALL DIMENSIONS – DIMENSIONS D'ENCOMBREMENT  
RAUMBEDARF – DIMENSIONES TOTALES – DIMENSÕES**

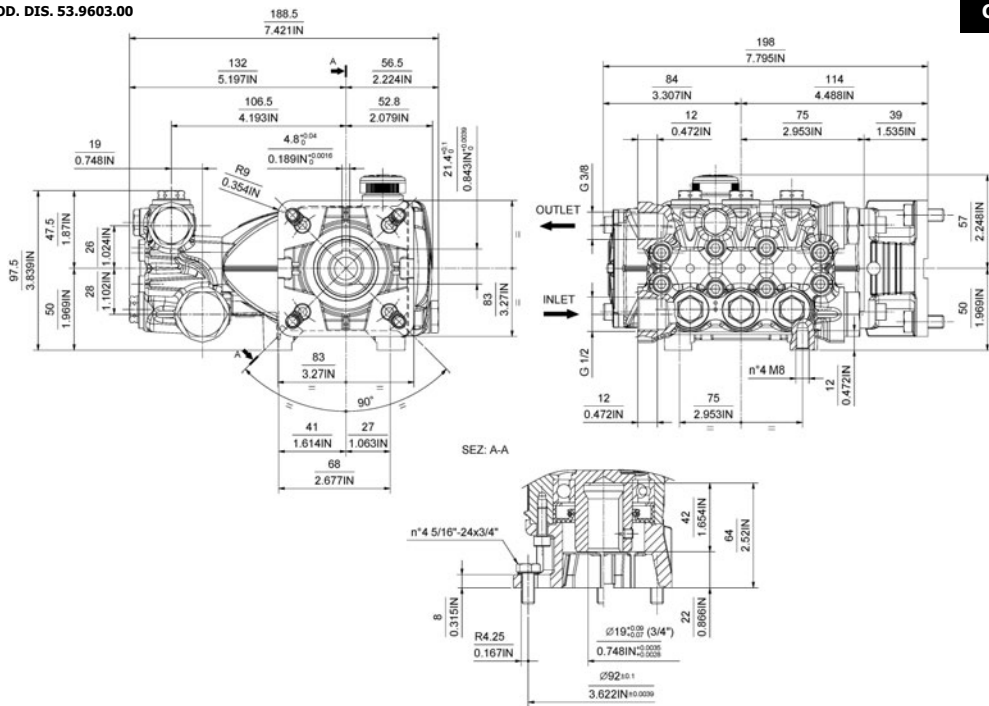


**COD. DIS. 53.9602.00**

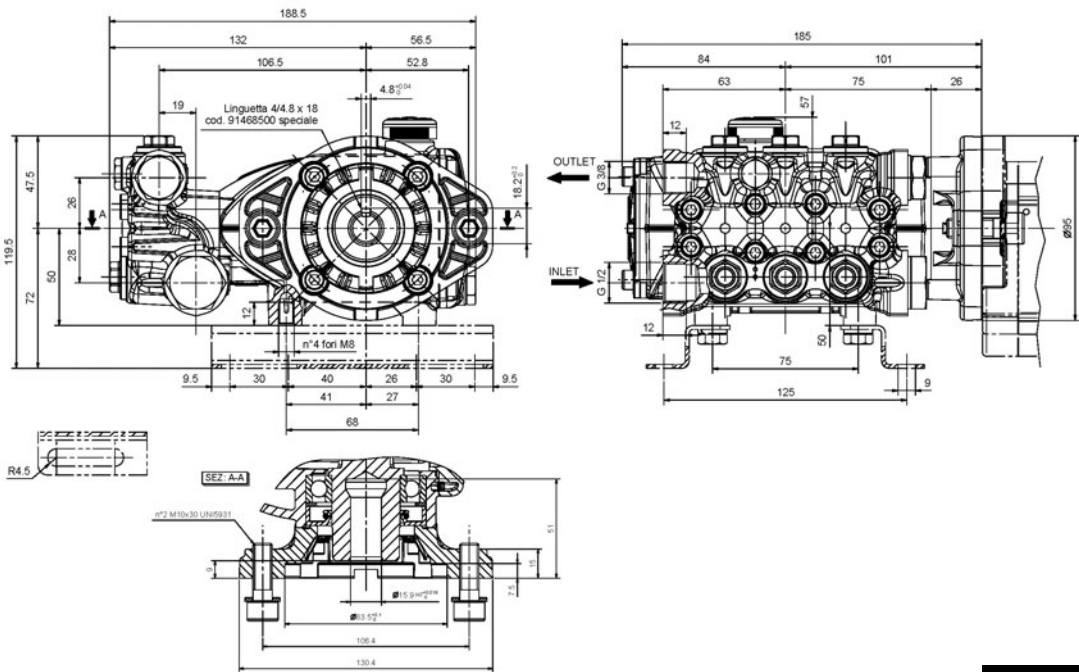
**B**

**COD. DIS. 53.9603.00**

**C 3/4"**



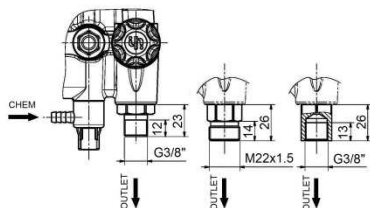
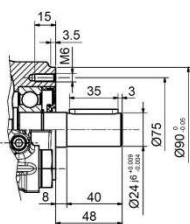
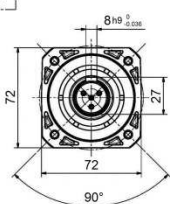
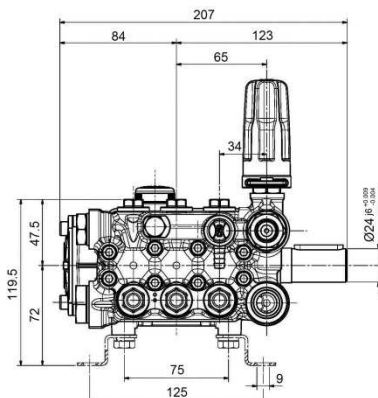
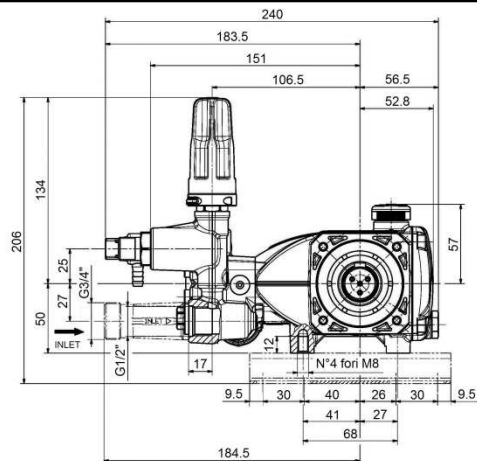
**DIMENSIONI D'INGOMBRO – OVERALL DIMENSIONS – DIMENSIONS D'ENCOMBREMENT  
 RAUMBEDARF – DIMENSIONES TOTALES – DIMENSÕES**



COD. DIS. 53.9623.00

**I**

**DIMENSIONI D'INGOMBRO – OVERALL DIMENSIONS – DIMENSIONS D'ENCOMBREMENT  
RAUMBEDARF – DIMENSIONES TOTALES – DIMENSÕES**

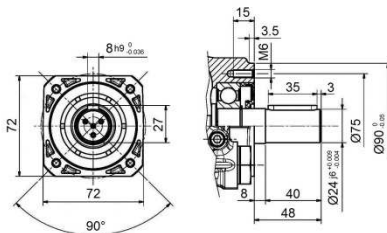
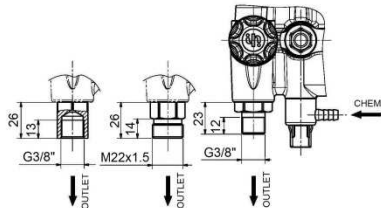
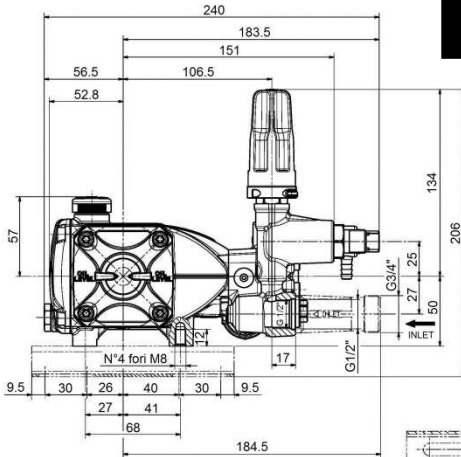
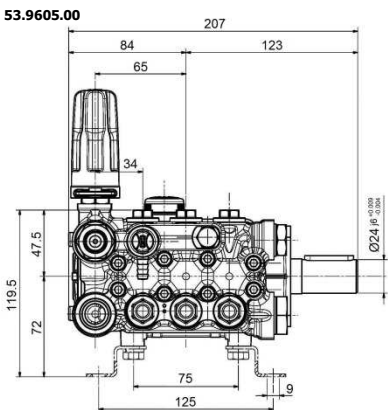


**COD. DIS. 53.9604.00**

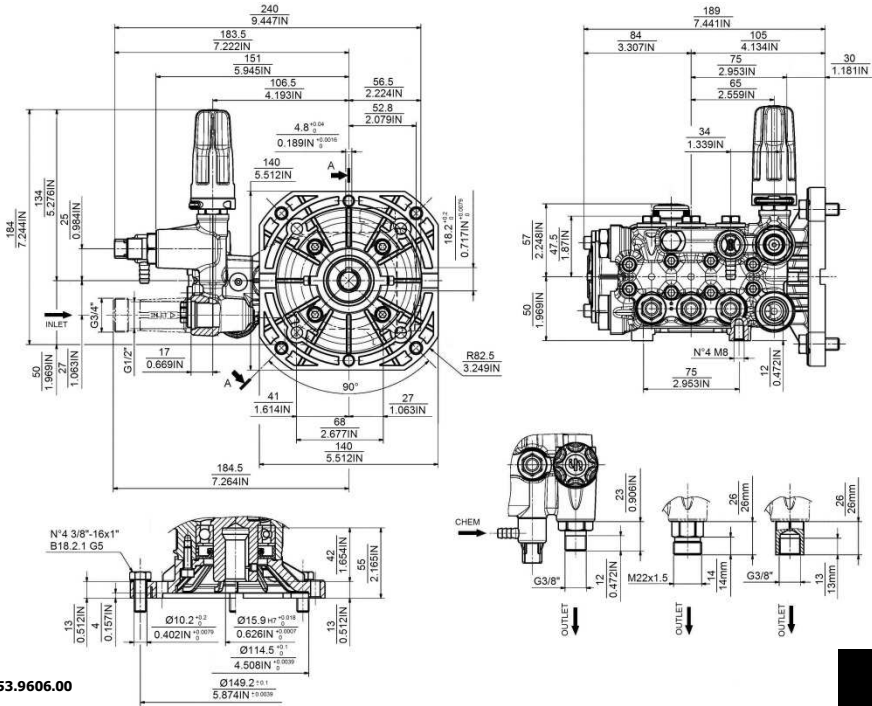
**STD. - DX  
VH VALVE**

**COD. DIS. 53.9605.00**

**STD. - SX  
VH VALVE**



**DIMENSIONI D'INGOMBRO – OVERALL DIMENSIONS – DIMENSIONS D'ENCOMBREMENT  
RAUMBEDARF – DIMENSIONES TOTALES – DIMENSÕES**

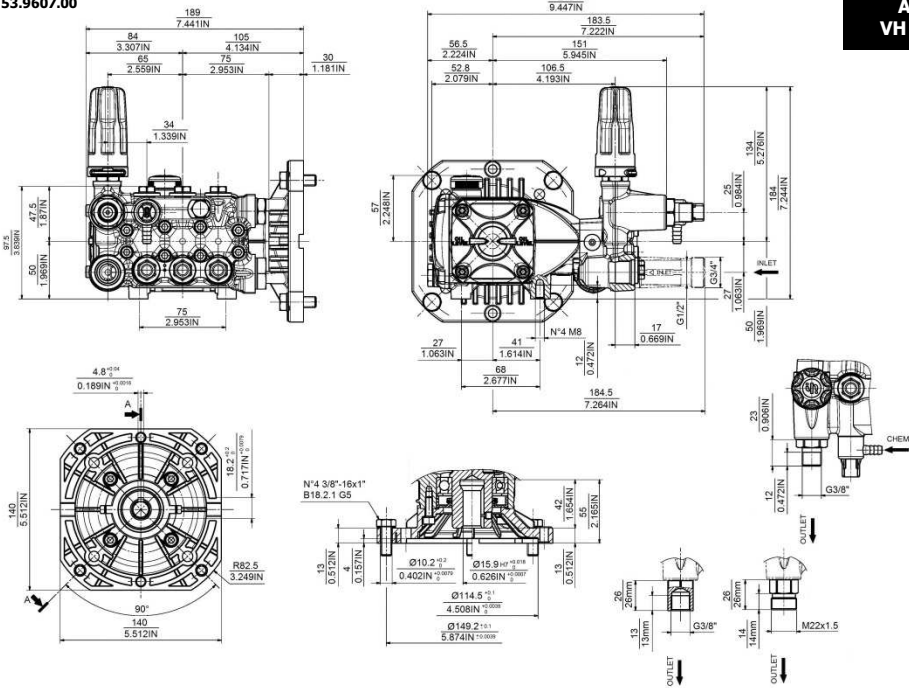


**COD. DIS. 53.9606.00**

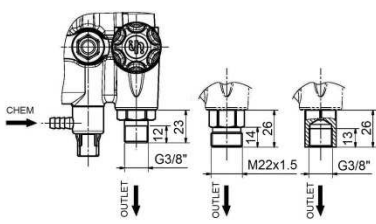
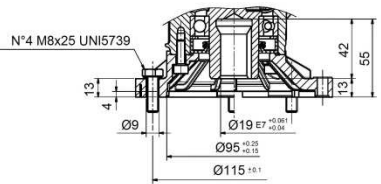
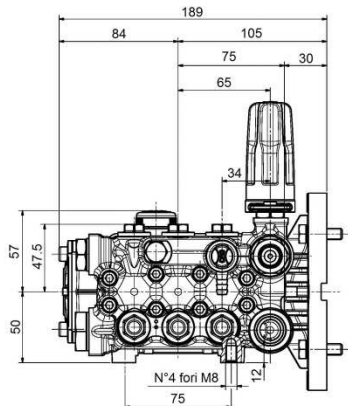
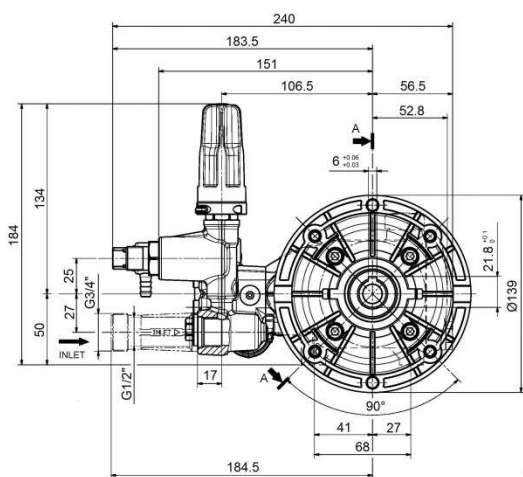
**A - DX  
VH VALVE**

**A - SX  
VH VALVE**

**COD. DIS. 53.9607.00**



**DIMENSIONI D'INGOMBRO – OVERALL DIMENSIONS – DIMENSIONS D'ENCOMBREMENT  
RAUMBEDARF – DIMENSIONES TOTALES – DIMENSÕES**

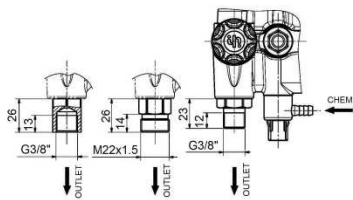
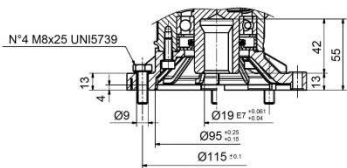
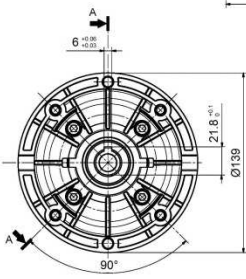
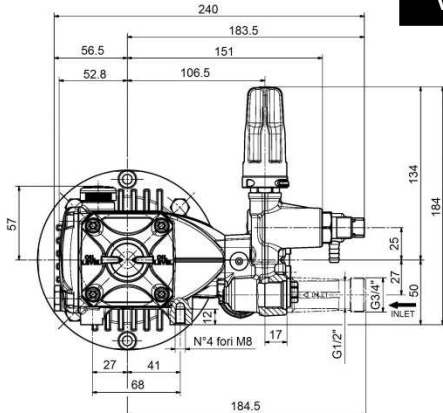
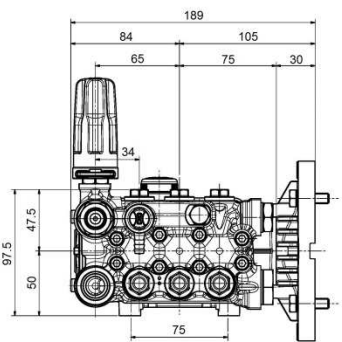


**COD. DIS. 53.9608.00**

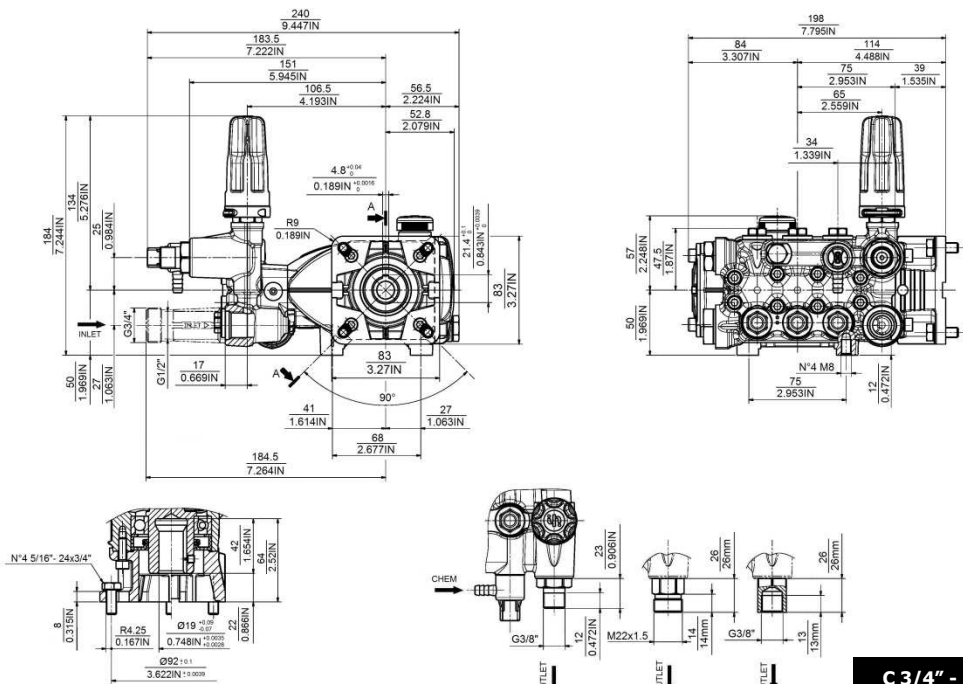
**B - DX  
VH VALVE**

**COD. DIS. 53.9609.00**

**B - SX  
VH VALVE**



**DIMENSIONI D'INGOMBRO – OVERALL DIMENSIONS – DIMENSIONS D'ENCOMBREMENT  
RAUMBEDARF – DIMENSIONES TOTALES – DIMENSÕES**

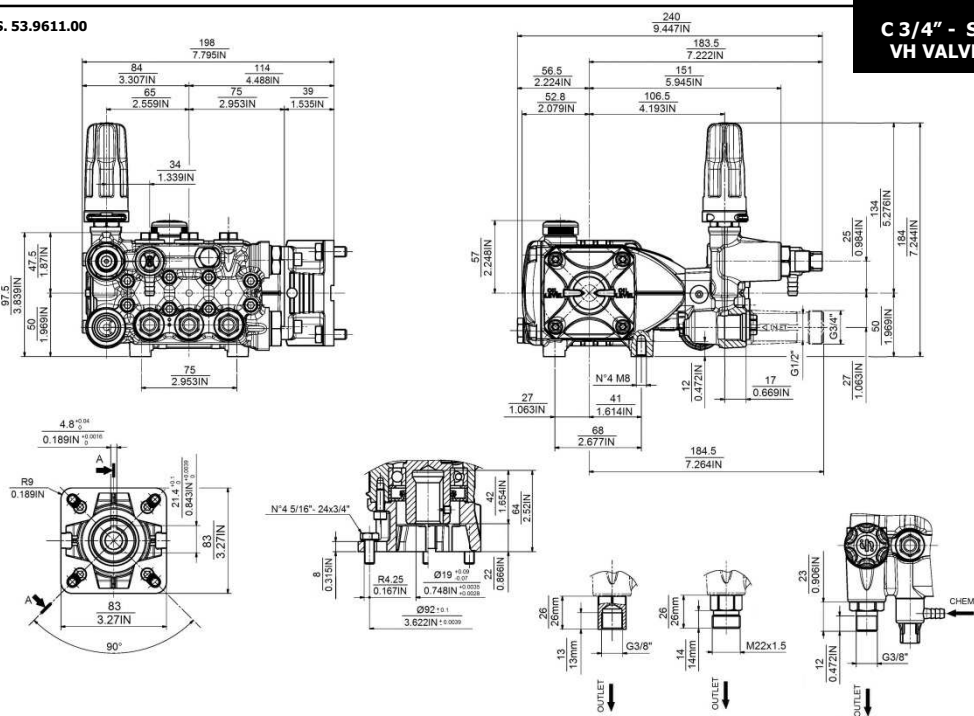


**COD. DIS. 53.9610.00**

**C 3/4" - DX  
VH VALVE**

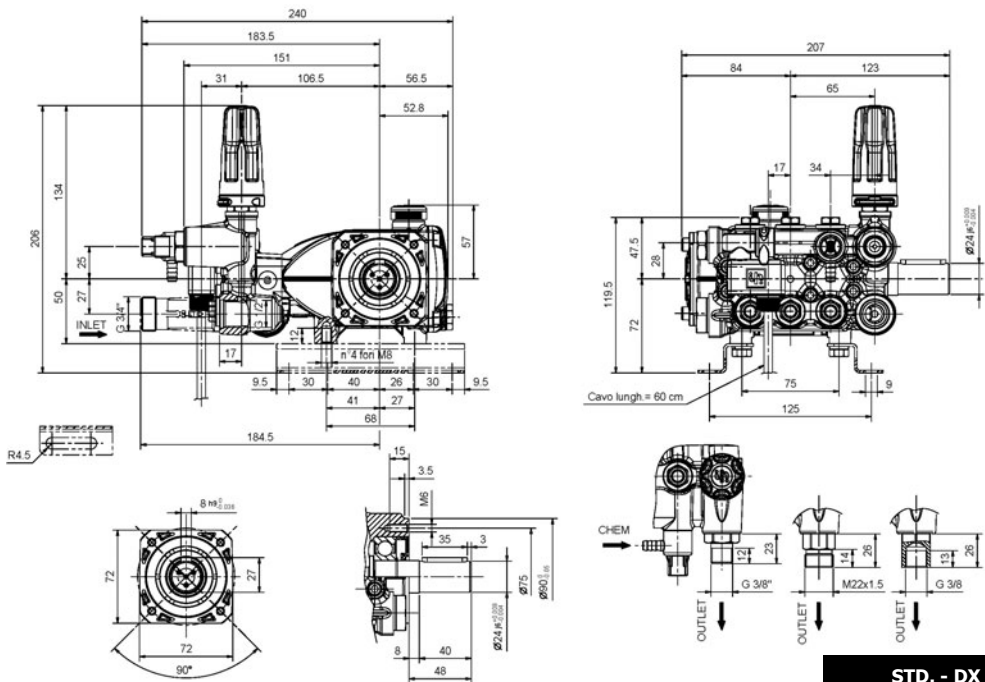
**COD. DIS. 53.9611.00**

**C 3/4" - SX  
VH VALVE**





**DIMENSIONI D'INGOMBRO – OVERALL DIMENSIONS – DIMENSIONS D'ENCOMBREMENT  
RAUMBEDARF – DIMENSIONES TOTALES – DIMENSÕES**

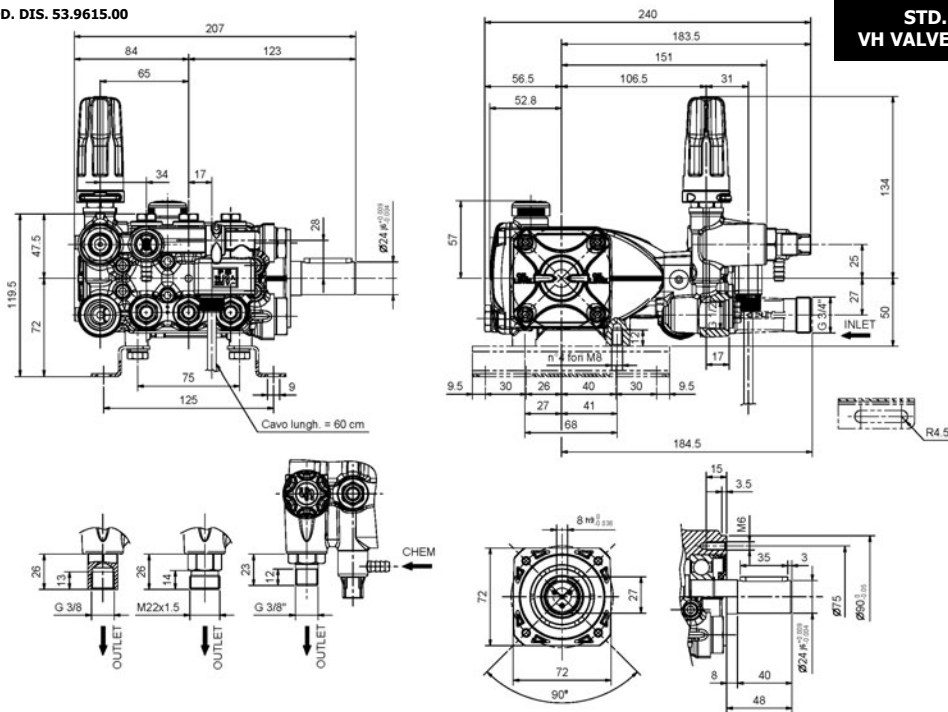


**COD. DIS. 53.9614.00**

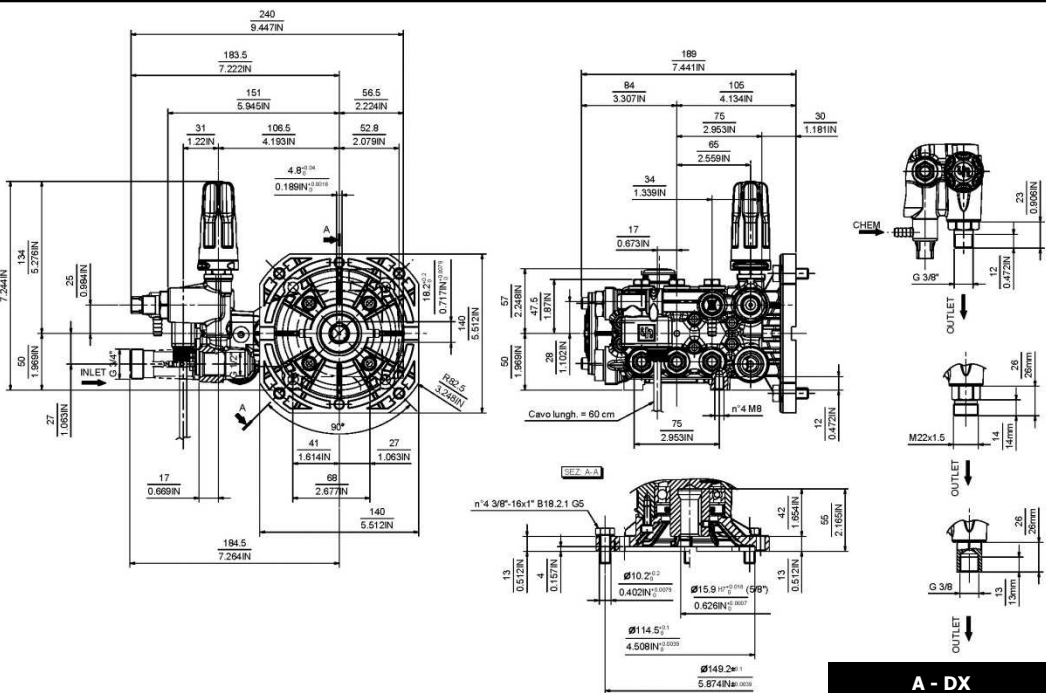
**STD. - DX  
VH VALVE - T.STOP**

**COD. DIS. 53.9615.00**

**STD. - SX  
VH VALVE - T.STOP**



**DIMENSIONI D'INGOMBRO – OVERALL DIMENSIONS – DIMENSIONS D'ENCOMBREMENT  
RAUMBEDARF – DIMENSIONES TOTALES – DIMENSÕES**

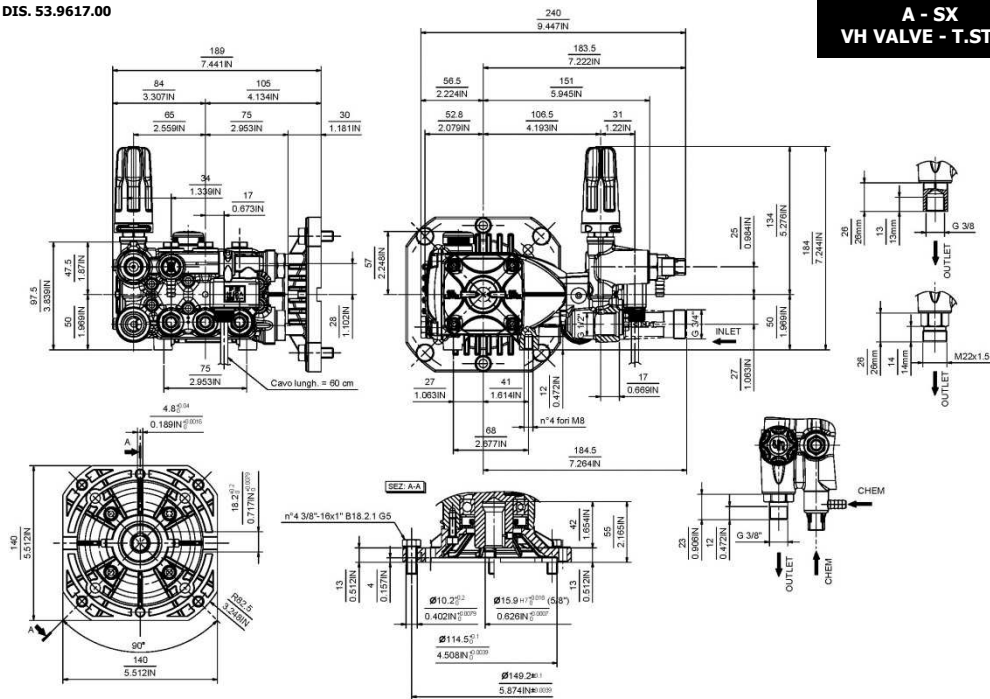


**COD. DIS. 53.9616.00**

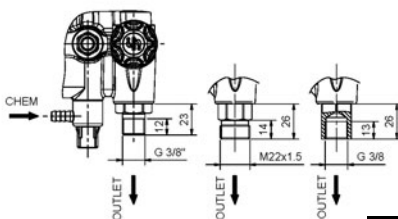
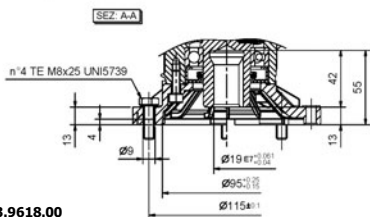
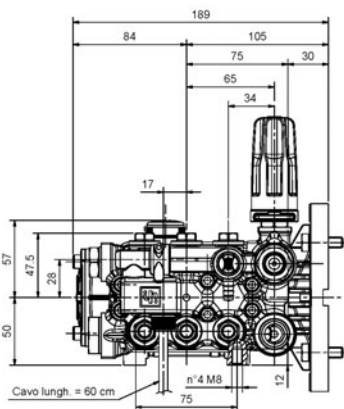
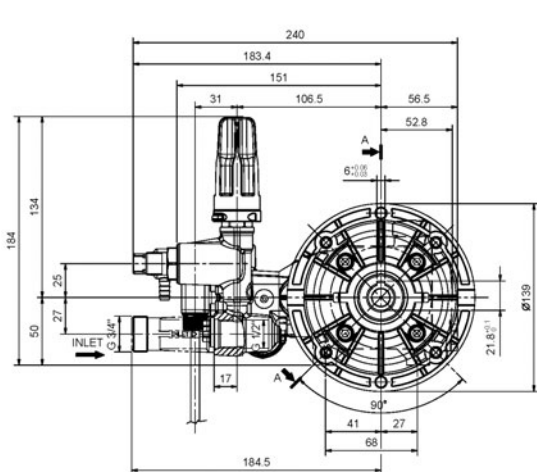
**A - DX  
VH VALVE - T.STOP**

**COD. DIS. 53.9617.00**

**A - SX  
VH VALVE - T.STOP**



**DIMENSIONI D'INGOMBRO – OVERALL DIMENSIONS – DIMENSIONS D'ENCOMBREMENT  
RAUMBEDARF – DIMENSIONES TOTALES – DIMENSÕES**

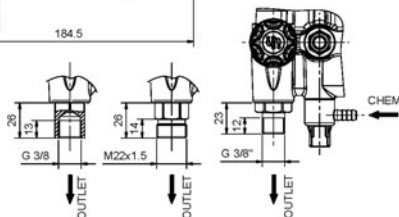
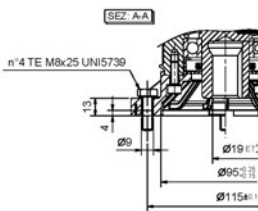
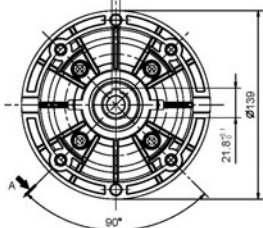
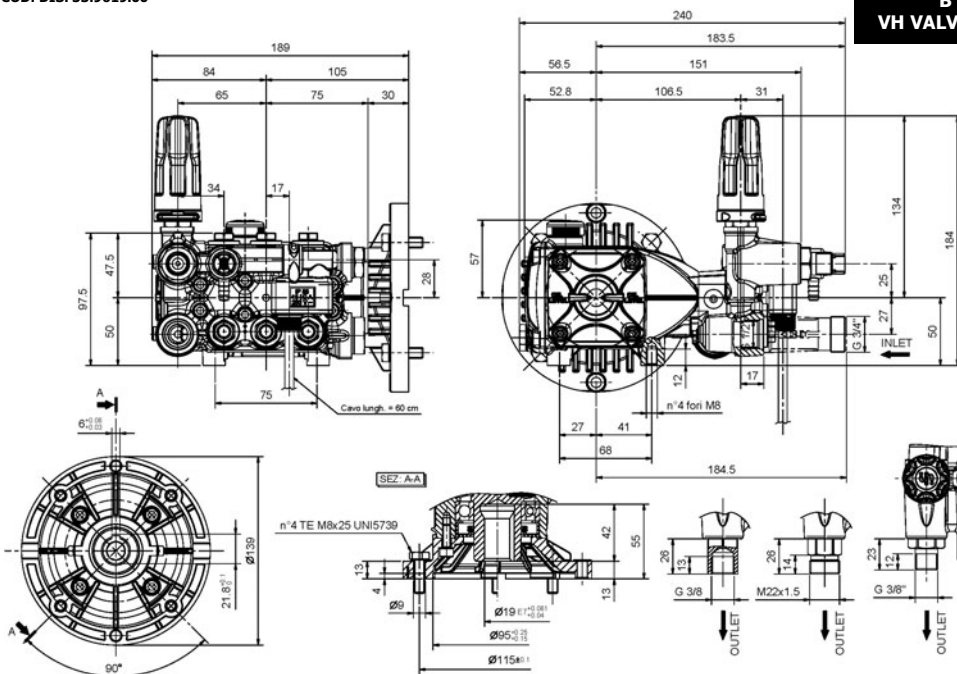


COD. DIS. 53.9618.00

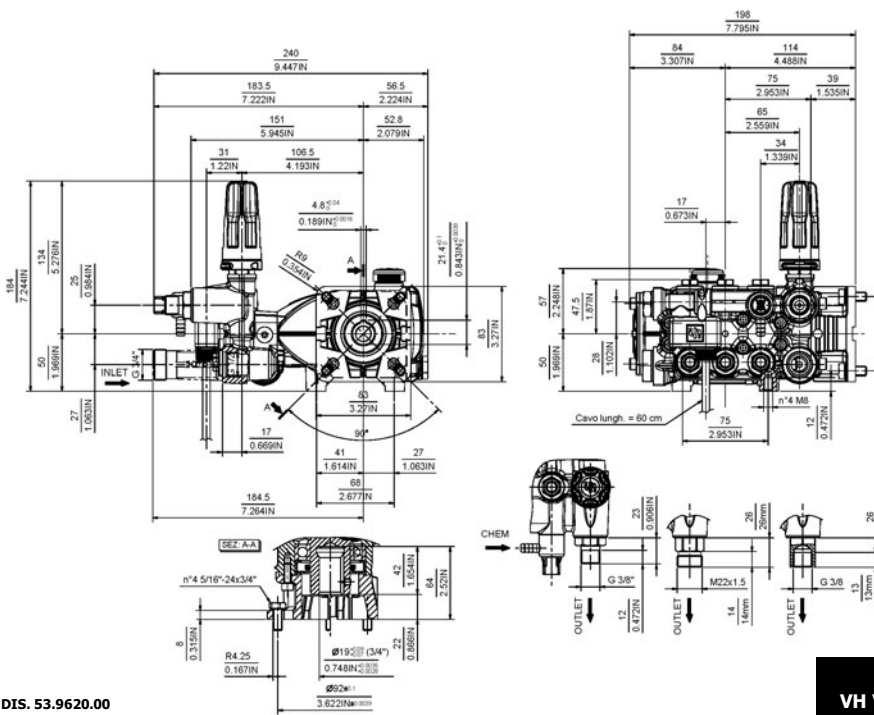
COD. DIS. 53.9619.00

**B - DX  
VH VALVE - T.STOP**

**B - SX  
VH VALVE - T.STOP**



**DIMENSIONI D'INGOMBRO – OVERALL DIMENSIONS – DIMENSIONS D'ENCOMBREMENT  
RAUMBEDARF – DIMENSIONES TOTALES – DIMENSÕES**

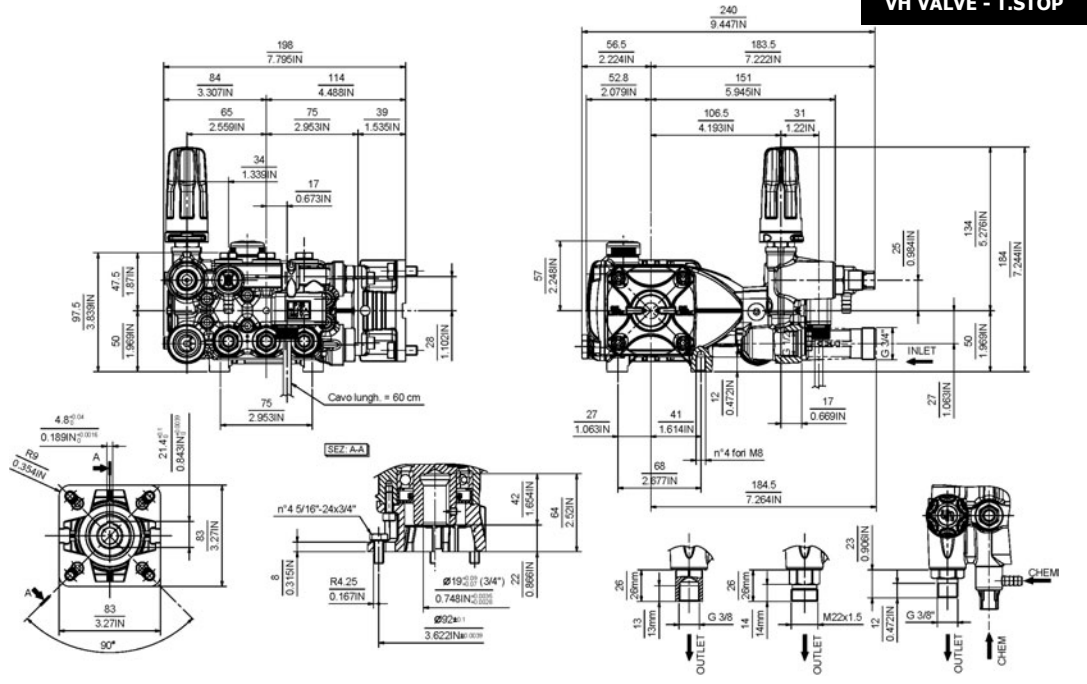


COD. DIS. 53.9620.00

COD. DIS. 53.9621.00

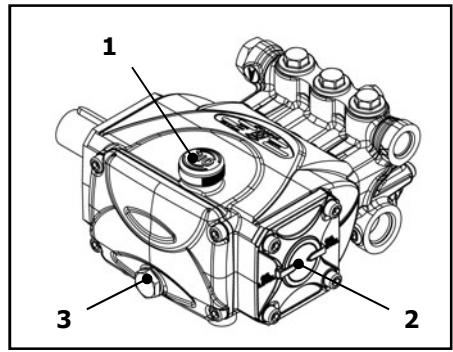
**C 3/4" - DX  
VH VALVE - T.STOP**

**C 3/4" - SX  
VH VALVE - T.STOP**



## 1 - CAMBIO OLIO

- 1.1 – Il cambio dell'olio va eseguito con pompa a temperatura di lavoro.
- 1.2 – Posizionare un recipiente sotto il tappo di scarico olio (3).
- 1.3 – Rimuovere il tappo con asta (1) e successivamente il tappo di scarico (3).
- 1.4 – Attendere fino a quando tutto l'olio è uscito, quindi riavvitare il tappo di scarico (3) con la coppia torcente indicata su disegno esploso.
- 1.5 – Riempire con olio nuovo fino al raggiungimento della mezzeria del tappo spia livello olio (2) e riavvitare il tappo con asta (1).



**Per il tipo di olio da utilizzare fare riferimento a quanto indicato sul libretto generico.**



**ATTENZIONE: L'olio esausto deve essere raccolto in recipienti e smaltito negli appositi centri in accordo alla normativa vigente. Non deve essere assolutamente disperso nell'ambiente.**

## 1 – OIL CHANGING

- 1.1 – Oil changing must be done with the pump at operating temperature.
- 1.2 – Put a container under the oil drain plug (3).
- 1.3 – Remove the oil dipstick (1) and then the drain plug (3).
- 1.4 – Wait until all the oil has drained out, then screw the drain plug (3) and tighten at the torque shown in the exploded diagram.
- 1.5 – Fill with new oil until the middle of the oil level indicator (2) is reached, screw by hand the oil dipstick (1).

**Refer to the generic booklet for the type of oil to use.**



**WARNING: The exhaust oil must be collected in receptacles and disposed of at authorised centres as specified by law. It must not be thrown away in the environment.**

## 1 - CHANGEMENT DE L'HUILE

- 1.1 – Le changement de l'huile doit être exécuté avec la pompe à température d'exercice.
- 1.2 – Placer un récipient sous le bouchon de vidange de l'huile (3).
- 1.3 – Enlever le bouchon-jauge (1), puis enlever le bouchon de vidange (3).
- 1.4 – Attendre que toute l'huile soit sortie, puis revisser le bouchon de vidange (3) avec le couple de torsion qui est indiqué sur le dessin éclaté.
- 1.5 – Remplir avec de l'huile neuve jusqu'à la ligne médiane du bouchon indicateur du niveau d'huile (2), et revisser le bouchon-jauge (1).

**Pour le type d'huile à utiliser, se référer à ce qui est indiqué sur la notice générale.**



**ATTENTION : L'huile usée doit être recueillie dans des récipients et éliminée dans les centres prévus à cet effet, conformément à la réglementation en vigueur. Il ne faut absolument pas la jeter dans l'environnement.**

## 1 - ÖLWECHSEL

1.1 – Beim Ölwechsel muss die Pumpe Betriebstemperatur aufweisen.

1.2 – Unter den Ölablassverschluss (3) einen Behälter stellen.

1.3 – Den Verschluss mit dem Stab (1) und danach den Ablassverschluss (3) abnehmen.

1.4 – Warten, bis das gesamte Öl abgelassen ist und den Ablassverschluss (3) mit dem auf der Übersichtszeichnung angegebenen Drehmoment wieder anschrauben.

1.5 – Mit frischem Öl füllen, bis die Mittellinie des Ölstandkontrollverschlusses (2) erreicht ist und den Verschluss mit dem Stab (1) wieder anschrauben.

**Bezüglich der verwendbaren Ölsorten siehe die Angaben im allgemeinen Handbuch.**



**ACHTUNG: Das Altöl muss in Behältern gesammelt und gemäß den geltenden Vorschriften bei den hierfür vorgesehenen Zentren entsorgt werden. Es darf keinesfalls umweltschädigend entsorgt werden.**

---

## 1 - CAMBIO DE ACEITE

1.1 – El cambio de aceite se efectúa con bomba a temperatura de trabajo.

1.2 – Colocar un recipiente debajo del tapón de descarga de aceite (3).

1.3 – Extraer el tapón con varilla (1) y seguidamente el tapón de descarga (3).

1.4 – Esperar hasta que haya salido todo el aceite, volver a enroscar el tapón de descarga (3) con el par de torsión indicado en el despiece.

1.5 – Llenar con aceite nuevo hasta alcanzar la línea media del tapón indicador de nivel de aceite (2) y volver a enroscar el tapón con varilla (1).

**Para el tipo de aceite que debe utilizarse, remitirse a las indicaciones del manual general.**



**ATENCIÓN: El aceite residual debe recogerse en recipientes y eliminarse en los centros pertinentes de acuerdo con la normativa vigente. En ningún caso debe dispersarse en el ambiente.**

---

## 1 - TROCA DE ÓLEO

1.1 – A troca de óleo deve ser feita com a bomba na temperatura de trabalho.

1.2 – Posicionar um recipiente embaixo da tampa de descarga de óleo (3).

1.3 – Remover a tampa com o pino (1) e, em seguida, a tampa de descarga (3).

1.4 – Esperar que todo o óleo saia, recolocar a tampa de descarga (3) com o binário de torção indicado no desenho explodido.

1.5 – Encher com o óleo novo até chegar na linha da tampa de controle do nível do óleo (2) e recolocar a tampa com o pino (1).

**Para o tipo de óleo a ser utilizado, consultar as indicações do livro genérico.**



**ATENÇÃO: O óleo consumido deve ser coletado em recipientes e eliminado nos locais adequados, de acordo com a normativa vigente. Não deve, de modo algum, ser jogado no ambiente.**

## DICHIARAZIONE DI INCORPORAZIONE

(Ai sensi dell'allegato II della Direttiva Europea 2006/42/CE)

Il produttore **INTERPUMP GROUP S.p.A. – Via E. Fermi, 25 – 42049 S.ILARIO D'ENZA (RE) - Italia**  
**DICHIARA** sotto la propria esclusiva responsabilità che l'attrezzatura identificata e descritta come segue :

Denominazione : POMPA

Tipo : Pompa alternativa a pistoni per acqua ad alta pressione

Marchio di fabbrica : INTERPUMP GROUP

Modelli : E1B1807 - E1B1808 - E1B1809 - E1B1611 - E1B1612 - E1B1613 - E1B1614 - E1B1810 - E1C1808  
E1C1609 - E1C1810 - E1C1811 - E1C1612 - E1C1613 - E1C1614 - E1D1807 - E1D1808 - E1D1810  
E1D1811 - E1D1813 - E1D1814 - E1E1808 - E1E1810 - E1E1811 - E1E1812 - E1E1813 - E1E2111  
E1E3107 - E1E3108 - E1E3109 - E1E3110 - E1E3111 - E1E3112 - E1E3113 - E1E3106 - E1E1814

Risulta essere conforme alle sotto elencate direttive e successivi aggiornamenti :

- Direttiva Macchine 2006/42/CE

- Direttiva sulla restrizione dell'uso di determinate sostanze pericolose nelle apparecchiature elettriche ed elettroniche 2011/65/UE - RoHS

L'attrezzatura non contiene sostanze con restrizioni d'uso in concentrazione maggiore di quelle elencate nell'allegato II ad eccezione delle applicazioni esentate dalle restrizioni elencate nell'allegato III.

Norme applicate : UNI EN ISO 12100:2010 - UNI EN 809:2000

La pompa sopra identificata rispetta i seguenti requisiti essenziali di sicurezza e di tutela della salute elencati nel punto 1 dell'allegato I della Direttiva Macchine :

1.1.2 - 1.1.3 - 1.1.5 - 1.3.1 - 1.3.2 - 1.3.3 - 1.3.4 - 1.5.4 - 1.5.5 - 1.6.1 - 1.7.1 - 1.7.2 - 1.7.4 - 1.7.4.1 - 1.7.4.2  
e la relativa documentazione tecnica è stata compilata in conformità dell'allegato VII B.

Inoltre il produttore si impegna a rendere disponibile, a seguito di una richiesta adeguatamente motivata, copia della documentazione tecnica pertinente la pompa nei modi e nei termini da definire.

La pompa non deve essere messa in servizio finché l'impianto al quale la pompa deve essere incorporata è stato dichiarato conforme alle disposizioni delle relative direttive e/o norme.

Persona autorizzata a costituire il fascicolo tecnico : Nome: Maurizio Novelli

Indirizzo: INTERPUMP GROUP S.p.A. – Via E. Fermi, 25 – 42049 S. ILARIO D'ENZA (RE) – Italia

Il responsabile

Firma : Ing. Massimiliano Bizzarri

Reggio Emilia, Ottobre/2017



# DECLARATION OF INCORPORATION

(In accordance with Annex II of European Directive 2006/42/CE)

The manufacturer **INTERPUMP GROUP S.p.A. – Via E. Fermi, 25 – 42049 S.ILARIO D'ENZA (RE) - Italy** **DECLARES** under sole responsibility that the equipment identified and described as follows :

Name : PUMP

Type : Reciprocating plunger pump for high pressure water

Trademark : INTERPUMP GROUP

Models : E1B1807 - E1B1808 - E1B1809 - E1B1611 - E1B1612 - E1B1613 - E1B1614 - E1B1810 - E1C1808  
E1C1609 - E1C1810 - E1C1811 - E1C1612 - E1C1613 - E1C1614 - E1D1807 - E1D1808 - E1D1810  
E1D1811 - E1D1813 - E1D1814 - E1E1808 - E1E1810 - E1E1811 - E1E1812 - E1E1813 - E1E2111  
E1E3107 - E1E3108 - E1E3109 - E1E3110 - E1E3111 - E1E3112 - E1E3113 - E1E3106 - E1E1814

Complies with the requirements of the directives listed below and subsequent updates :

- Machinery Directive 2006/42/CE

- Directive 2011/65/EU – RoHS on the restriction of the use of certain hazardous substances in electrical and electronic equipment.

The equipment does not contain more than the specified concentrations of restricted substances listed in Annex II except for the applications exempted from the restriction listed in Annex III.

Standards applied : UNI EN ISO 12100:2010 - UNI EN 809:2000

The pump identified above meets all the essential safety and health protection requirements as listed in section 1 of Annex I of the Machinery Directive :

1.1.2 - 1.1.3 - 1.1.5 - 1.3.1 - 1.3.2 - 1.3.3 - 1.3.4 - 1.5.4 - 1.5.5 - 1.6.1 - 1.7.1 - 1.7.2 - 1.7.4 - 1.7.4.1 - 1.7.4.2  
and the relevant technical documentation has been compiled in accordance with Annex VII B.

In addition, the manufacturer undertakes to make available, following a reasoned request, a copy of the relevant technical pump documentation in the manner and terms to be defined.

The pump should not be put into service until the plant to which the pump is to be incorporated has been declared in accordance with the provisions of the relevant directives and/or standards.

Person authorised to compile the technical file :

Name: Maurizio Novelli

Address: INTERPUMP GROUP S.p.A. – Via E. Fermi, 25 – 42049 S. ILARIO D'ENZA (RE) – Italy

Manager

Signature : Ing. Massimiliano Bizzarri

Reggio Emilia, October/2017





# DÉCLARATION D'INCORPORATION

(Conformément à l'annexe II de la Directive Européenne 2006/42/CE)

Le fabricant **INTERPUMP GROUP S.p.A. – Via E. Fermi, 25 – 42049 S.ILARIO D'ENZA (RE) - Italie**  
**DÉCLARE** sous sa seule responsabilité que l'équipement identifié et décrit comme suit :

Description : POMPE

Type : Pompe alternative à pistons pour eau à haute pression

Marque de fabrique : INTERPUMP GROUP

Modèle : E1B1807 - E1B1808 - E1B1809 - E1B1611 - E1B1612 - E1B1613 - E1B1614 - E1B1810 - E1C1808  
E1C1609 - E1C1810 - E1C1811 - E1C1612 - E1C1613 - E1C1614 - E1D1807 - E1D1808 - E1D1810  
E1D1811 - E1D1813 - E1D1814 - E1E1808 - E1E1810 - E1E1811 - E1E1812 - E1E1813 - E1E2111  
E1E3107 - E1E3108 - E1E3109 - E1E3110 - E1E3111 - E1E3112 - E1E3113 - E1E3106 - E1E1814

Est conforme aux spécifications des directives énumérées ci-dessous et mises à jour suivantes:

- Directive Machines 2006/42/CE

- Directive relative à la limitation de l'utilisation de certaines substances dangereuses dans les équipements électriques et électroniques 2011/65/UE – RoHS

L'équipement ne contient pas de substances assorties de restrictions concernant l'utilisation en concentration plus élevée que celles énumérées à l'annexe II, sauf pour des applications exemptées des restrictions énumérées à l'annexe III.

Normes appliquées : UNI EN ISO 12100:2010 - UNI EN 809:2000

La pompe identifiée ci-dessus répond aux exigences essentielles de sécurité et protection de la santé suivantes énumérées au point 1 de l'annexe I de la Directive Machines :

1.1.2 - 1.1.3 - 1.1.5 - 1.3.1 - 1.3.2 - 1.3.3 - 1.3.4 - 1.5.4 - 1.5.5 - 1.6.1 - 1.7.1 - 1.7.2 - 1.7.4 - 1.7.4.1 - 1.7.4.2  
et la documentation technique pertinente est constituée conformément à l'annexe VII B.

De plus, le fabricant s'engage à rendre disponible, suite à une demande adéquatement motivée, une copie de la documentation technique relative à la pompe dans les modes et les termes à définir.

La pompe ne doit pas être mise en marche tant que l'installation à laquelle la pompe doit être incorporée n'a pas été déclarée conforme aux dispositions des directives et / ou normes relatives.

Personne autorisée à réaliser le manuel technique : Nom : Maurizio Novelli

Adresse: INTERPUMP GROUP S.p.A. – Via E. Fermi, 25 – 42049 S. ILARIO D'ENZA (RE) – Italie

Le responsable

Signature : Ing. Massimiliano Bizzarri

Reggio Emilia, Octobre/2017



# EINBAUERKLÄRUNG

(gemäß Anhang II der Europäischen Richtlinie 2006/42/EG)

Der Hersteller **INTERPUMP GROUP S.p.A. – Via E. Fermi, 25 – 42049 S.ILARIO D'ENZA (RE) - Italien**  
**ERKLÄRT** auf alleinige Verantwortung, dass das wie folgt bezeichnete und beschriebene Gerät :

Bezeichnung : PUMPE

Typ : Kolbenpumpe für Hochdruck-Wasser

Herstellermarke : INTERPUMP GROUP

Modell : E1B1807 - E1B1808 - E1B1809 - E1B1611 - E1B1612 - E1B1613 - E1B1614 - E1B1810 - E1C1808  
E1C1609 - E1C1810 - E1C1811 - E1C1612 - E1C1613 - E1C1614 - E1D1807 - E1D1808 - E1D1810  
E1D1811 - E1D1813 - E1D1814 - E1E1808 - E1E1810 - E1E1811 - E1E1812 - E1E1813 - E1E2111  
E1E3107 - E1E3108 - E1E3109 - E1E3110 - E1E3111 - E1E3112 - E1E3113 - E1E3106 - E1E1814

mit den nachstehend aufgelisteten Richtlinien und ihren nachfolgenden Aktualisierungen konform ist :

- Maschinenrichtlinie 2006/42/EG
- Richtlinie zur Beschränkung der Verwendung bestimmter gefährlicher Stoffe in Elektro- und Elektronikgeräten 2011/65/EU – RoHS

Das Gerät enthält keine Stoffe, für die Beschränkungen bezüglich ihrer Verwendung in Konzentrationen bestehen, die über denen im Anhang II liegen, mit Ausnahme von Anwendungen, die von den im Anhang II aufgeführten Beschränkungen ausgenommen sind.

Angewandte Normen : UNI EN ISO 12100:2010 - UNI EN 809:2000

Die oben genannte Pumpe genügt den folgenden grundlegenden Sicherheits- und Gesundheitsschutzanforderungen, die unter Punkt 1 des Anhangs I der Maschinenrichtlinie aufgeführt sind.  
1.1.2 - 1.1.3 - 1.1.5 - 1.3.1 - 1.3.2 - 1.3.3 - 1.3.4 - 1.5.4 - 1.5.5 - 1.6.1 - 1.7.1 - 1.7.2 - 1.7.4 - 1.7.4.1 - 1.7.4.2  
Die speziellen technischen Unterlagen wurden gemäß Anhang VII Teil B erstellt.

Darüber hinaus verpflichtet sich der Hersteller einzelstaatlichen Stellen auf begründetes Verlangen die speziellen technischen Unterlagen zur Pumpe in festzulegenden Modalitäten und Fristen zu übermitteln.

Die Pumpe darf erst dann in Betrieb genommen werden, wenn gegebenenfalls festgestellt wurde, dass die Maschine, in die die Pumpe eingebaut werden soll, den Bestimmungen der entsprechenden Richtlinien und/oder Normen entspricht .

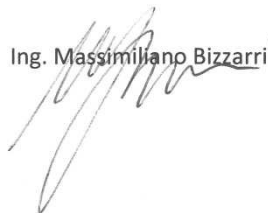
Person, die bevollmächtigt ist, die relevanten technischen Unterlagen zusammenzustellen: Maurizio Novelli

Adresse: INTERPUMP GROUP S.p.A. – Via E. Fermi, 25 – 42049 S. ILARIO D'ENZA (RE) – Italien

Der Geschäftsführer

Unterschrift : Ing. Massimiliano Bizzarri

Reggio Emilia, Oktober/2017



# DECLARACIÓN DE INCORPORACIÓN

(De acuerdo con el anexo II de la Directiva Europea 2006/42/CE)

El fabricante **INTERPUMP GROUP S.p.A. – Via E. Fermi, 25 – 42049 S.ILARIO D'ENZA (RE) – Italia** **DECLARA** bajo su propia y exclusiva responsabilidad al aparato identificado y descrito del siguiente modo :

Denominación : BOMBA

Tipo : Bomba alternativa con pistones para agua de alta presión

Marca de fábrica : INTERPUMP GROUP

Modelo : E1B1807 - E1B1808 - E1B1809 - E1B1611 - E1B1612 - E1B1613 - E1B1614 - E1B1810 - E1C1808  
E1C1609 - E1C1810 - E1C1811 - E1C1612 - E1C1613 - E1C1614 - E1D1807 - E1D1808 - E1D1810  
E1D1811 - E1D1813 - E1D1814 - E1E1808 - E1E1810 - E1E1811 - E1E1812 - E1E1813 - E1E2111  
E1E3107 - E1E3108 - E1E3109 - E1E3110 - E1E3111 - E1E3112 - E1E3113 - E1E3106 - E1E1814  
E1D1835

Resulta ser conforme con las directivas que se indican a continuación y con sus sucesivas actualizaciones:

- Directiva de Máquinas 2006/42/CE

- Directiva acerca de la restricción del uso de determinadas sustancias peligrosas en máquinas eléctricas y electrónicas 2011/65/UE – RoHS

El aparato no contiene sustancias con restricción de uso en concentración mayor de aquellas citadas en el anexo II, exceptuando las aplicaciones exentes de las restricciones citadas en el anexo III.

Normas aplicadas : UNI EN ISO 12100:2010 - UNI EN 809:2000

La bomba identificada anteriormente respeta los siguientes requisitos esenciales de seguridad y de protección de la salud citados en el punto 1 del anexo I de la Directiva de Máquina :

1.1.2 - 1.1.3 - 1.1.5 - 1.3.1 - 1.3.2 - 1.3.3 - 1.3.4 - 1.5.4 - 1.5.5 - 1.6.1 - 1.7.1 - 1.7.2 - 1.7.4 - 1.7.4.1 - 1.7.4.2 y la correspondiente documentación técnica ha sido compilada de acuerdo con el anexo VII B.

Además el fabricante se compromete en hacer disponible, después haberse llevado a cabo una solicitud adecuadamente motivada, una copia de la documentación técnica pertinente de la bomba en una modalidad y en un plazo aún por definir.

La bomba no debe ser puesta en funcionamiento, hasta que el sistema al cuál la bomba debe ser incorporada, haya sido declarado conforme a las disposiciones de las respectivas directivas y/o normativas.

Persona autorizada a realizar el fascículo técnico :

Nombre: Maurizio Novelli

Dirección: INTERPUMP GROUP S.p.A. – Via E. Fermi, 25 – 42049 S. ILARIO D'ENZA (RE) – Italia

El responsable

Firma : Ing. Massimiliano Bizzarri

Reggio Emilia, Octubre/2017



# DECLARAÇÃO DE INCORPORAÇÃO

(Nos termos do anexo II da Directiva Europeia 2006/42/CE)

O fabricante **INTERPUMP GROUP S.p.A. – Via E. Fermi, 25 – 42049 S.ILARIO D'ENZA (RE) - Itália** **DECLARA** sob a sua exclusiva responsabilidade que os equipamentos identificados e descritos tal como se segue :

Denominação : BOMBA

Tipo : Bomba alternativa com pistões para água a alta pressão

Marca de fábrica : INTERPUMP GROUP

Modelo : E1B1807 - E1B1808 - E1B1809 - E1B1611 - E1B1612 - E1B1613 - E1B1614 - E1B1810 - E1C1808  
E1C1609 - E1C1810 - E1C1811 - E1C1612 - E1C1613 - E1C1614 - E1D1807 - E1D1808 - E1D1810  
E1D1811 - E1D1813 - E1D1814 - E1E1808 - E1E1810 - E1E1811 - E1E1812 - E1E1813 - E1E2111  
E1E3107 - E1E3108 - E1E3109 - E1E3110 - E1E3111 - E1E3112 - E1E3113 - E1E3106 - E1E1814  
E1D1835

Está em conformidade às directivas abaixo indicadas e posteriores actualizações :

- Directiva Máquinas 2006/42/CE
- Directiva sobre a restrição de uso de determinadas substâncias perigosas em aparelhos eléctricos e electrónicos 2011/65/UE – RoHS

O equipamento não contém substâncias com restrições de uso em concentração superior às indicadas no anexo II, á excepção das aplicações isentas das restrições indicadas no anexo III.

Normas aplicadas : UNI EN ISO 12100:2010 - UNI EN 809:2000

A bomba acima identificada respeita os seguintes requisitos essenciais de segurança e de tutela da saúde, referidos no ponto 1 do anexo I da Directiva Máquinas :

1.1.2 - 1.1.3 - 1.1.5 - 1.3.1 - 1.3.2 - 1.3.3 - 1.3.4 - 1.5.4 - 1.5.5 - 1.6.1 - 1.7.1 - 1.7.2 - 1.7.4 - 1.7.4.1 - 1.7.4.2 e a respectiva documentação técnica foi compilada em conformidade com o anexo VII B.

Além disso, o fabricante compromete-se a disponibilizar, mediante pedido adequadamente motivado, uma cópia da documentação técnica referente à bomba, em modos e termos a definir.

A bomba não deve ser colocada em funcionamento até que o sistema no qual tem de ser incorporada seja declarado em conformidade com as disposições das respectivas directivas e/ou normas.

Pessoa autorizada a compilar a documentação técnica : Nome: Maurizio Novelli

Morada: INTERPUMP GROUP S.p.A. – Via E. Fermi, 25 – 42049 S. ILARIO D'ENZA (RE) – Itália

O responsável

Assinatura : Ing. Massimiliano Bizzarri

Reggio Emilia, Outubro/2017









**COPYRIGHT** Il contenuto di questo libretto è di proprietà di INTERPUMP GROUP, ne è vietata la riproduzione e/o la divulgazione, anche parziale, a termini di legge.

**COPYRIGHT** The contents of this booklet are the property of INTERPUMP GROUP. Reproduction and divulgation, in whole or in part, are prohibited by law.

**COPYRIGHT** Le contenu de cette notice appartient à INTERPUMP GROUP : aux termes de la loi il est interdit de le reproduire et/ou de le divulguer, même partiellement.

**COPYRIGHT** Der Inhalt dieser Bedienungsanleitung ist Eigentum von INTERPUMP GROUP. Die auch nur teilweise Reproduktion und/oder Verbreitung ist gesetzlich verboten.

**COPYRIGHT** El contenido del presente manual es propiedad de INTERPUMP GROUP y está legalmente prohibida su reproducción y/o divulgación parcial o total.

**COPYRIGHT** O conteúdo deste livro é de propriedade da INTERPUMP GROUP, e é proibida a sua reprodução e/ou a sua divulgação, mesmo parcial, nos termos da lei.

---

**Le informazioni presenti su questo documento possono essere variate senza preavviso.**

**The information contained in this document may change without notice.**

**Les informations présentes sur ce document peuvent être changées sans besoin de préavis.**

**Die in diesem Dokument enthaltenen Informationen können ohne Vorankündigung geändert werden.**

**La información contenida en el presente documento puede modificarse sin previo aviso.**

**As informações contidas neste documento poderão ser sujeitas a alterações sem aviso prévio.**

---



**INTERPUMP  
GROUP**

**AZIENDA CON SISTEMA  
DI GESTIONE QUALITÀ  
CERTIFICATO DA DNV GL  
= ISO 9001 =**

VIA FERMI, 25 42049 S.ILARIO – REGGIO EMILIA (ITALY)  
TEL.+39 – 0522 - 904311 TELEFAX +39 – 0522 – 904444  
E-mail: [info@interpumpgroup.it](mailto:info@interpumpgroup.it) - <http://www.interpumpgroup.it>