

IPC Integrated Professional Cleaning

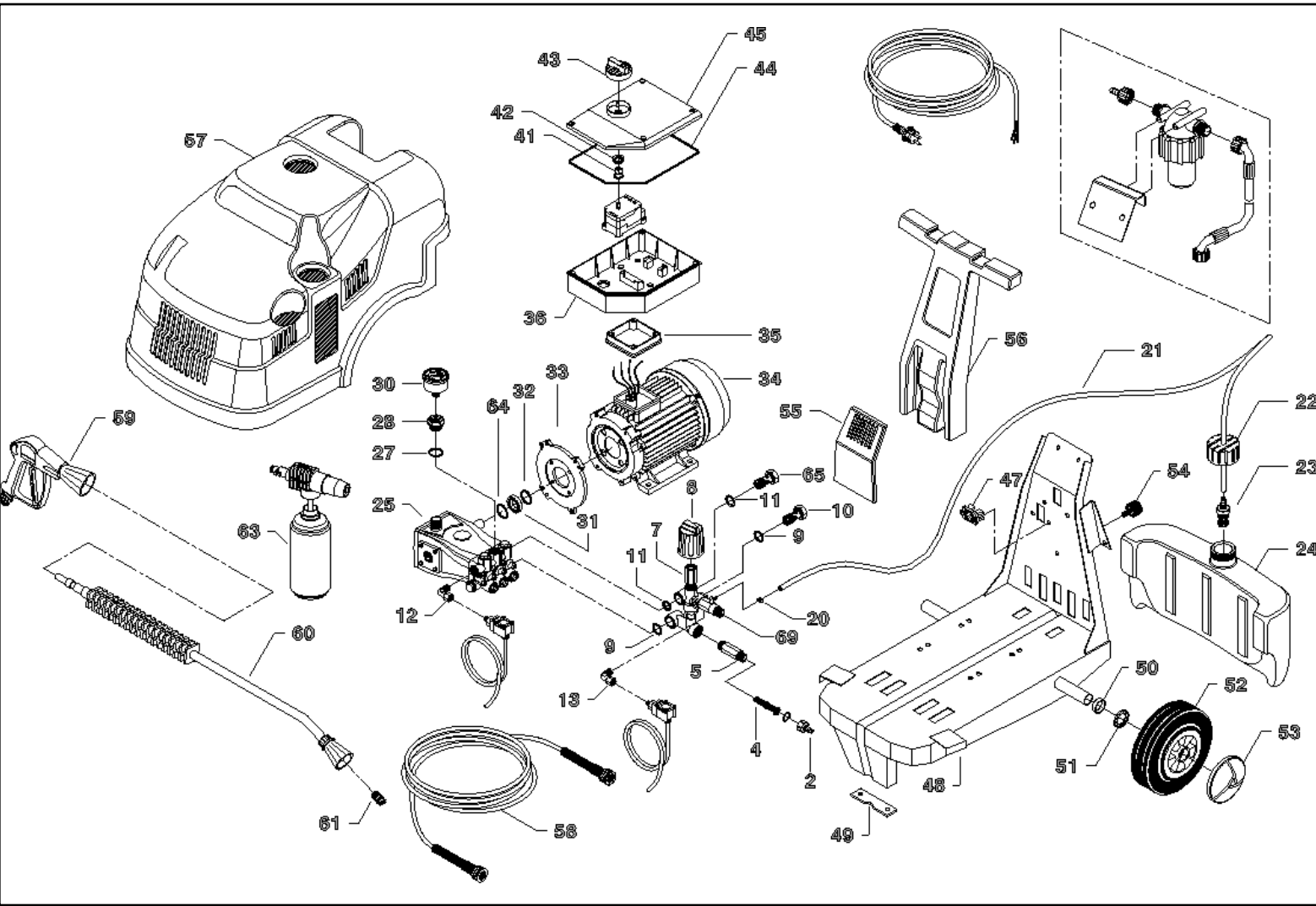
IPC Portotecnica

Spare Parts List

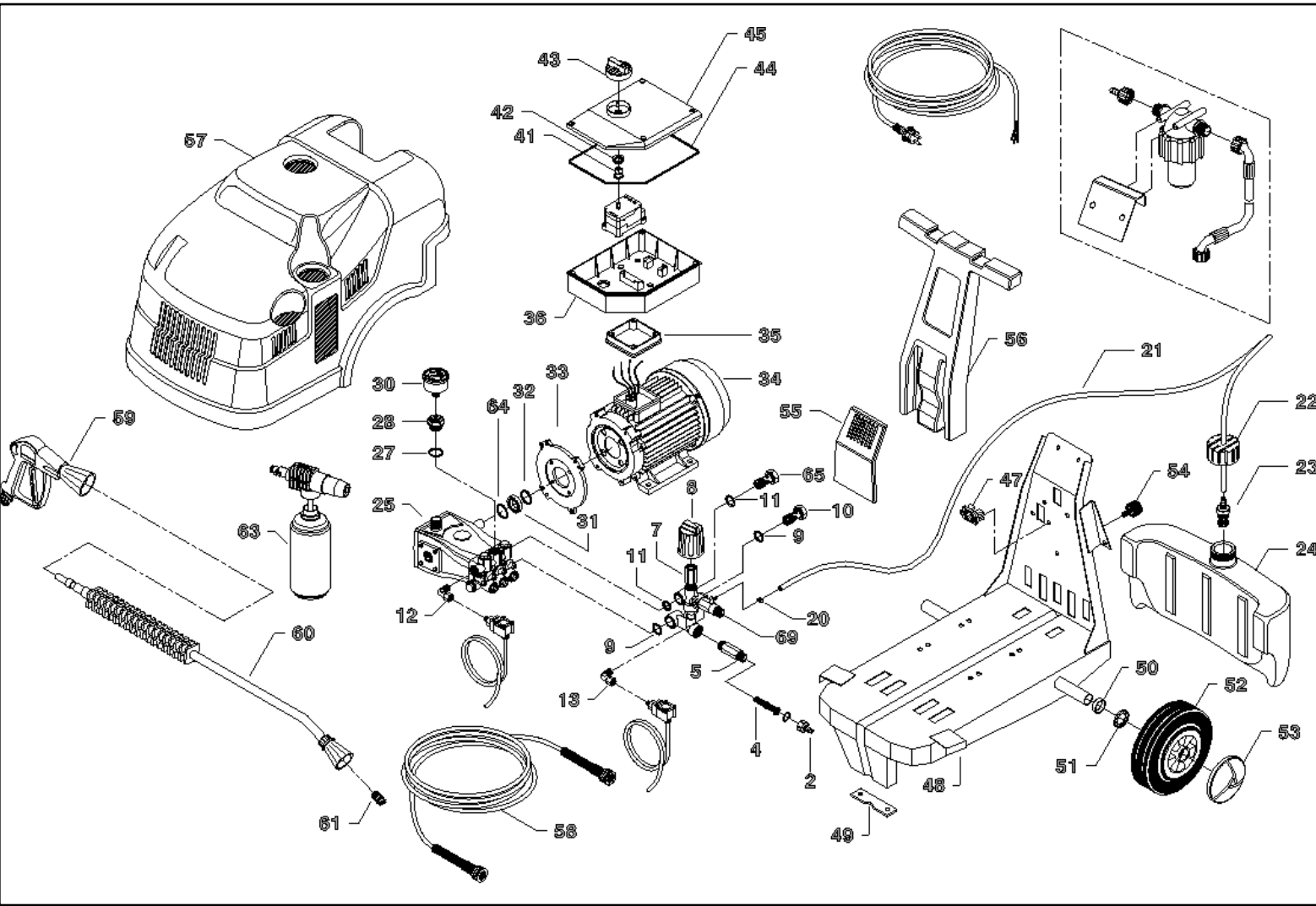
YURKENS TRADING LTD.

Ref: IDAF40214

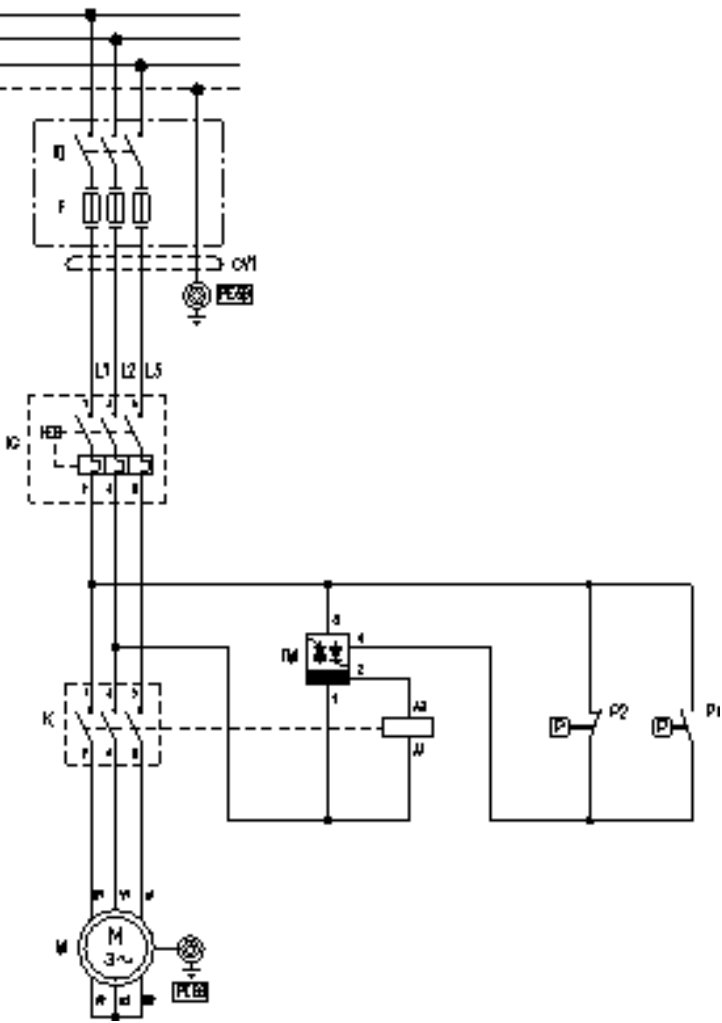
Model: IDROP N.ROYAL DSHH 3160 T 400/50 3-01PRS



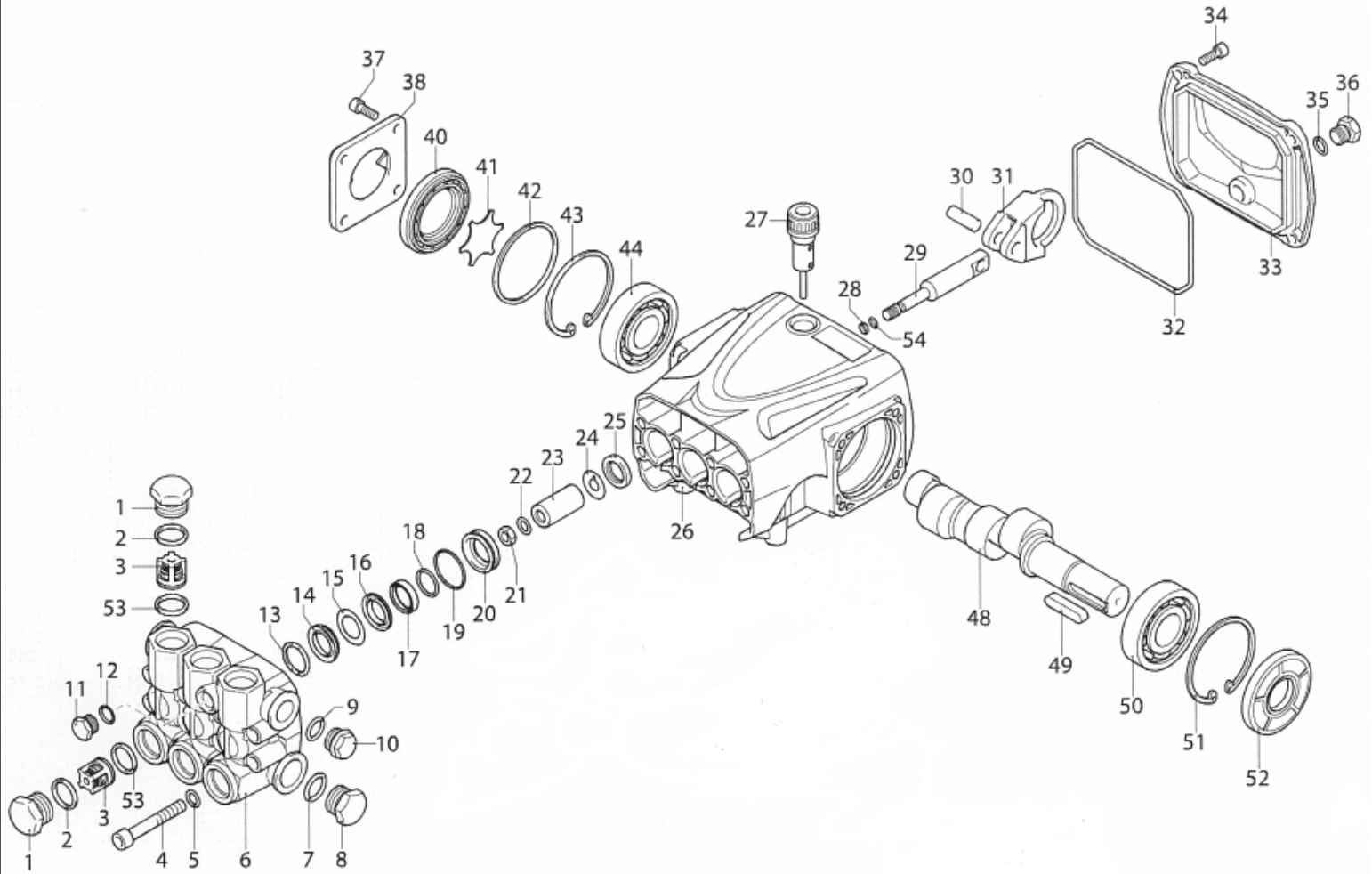
Ref. K	Part N.	Customer Part N.	Description	Qty	Validity:		Price
					From	To	
0002	RCVR29600		SOCKET PTC 3/4 F	1,00			--
0004	FTAC30214		FILTER D.15X67	1,00			--
0005	RCDS40102		NIPPLE 3/4 - 1/2 RYL +ARG.INX	1,00			--
0007	VVAZ40018		VALVE MV 625 AR-R AF I.2.1 RG.	1,00			--
0008	MPVR09436		BLACK KNOB ST 260	1,00			--
0009	VTRS00549		WASHER D.21,5X27X1,5 (1/2) RM	2,00			--
0010	RCDS40064		SCREW G 1/2 L=48.5 INX	1,00			--
0011	VTRS00548		WASHER D.17,5X23X1,5 (3/8)RM	2,00			--
0012	RCVR00574		ELBOW 3/8" M/F A10	1,00			--
0013	RCVR40064		ELBOW 1/8-1/4 M/F NIK	1,00			--
0020	FSVR11957		CLAMP D. 9.5-12 CLIC	1,00			--
0021	TBBP04917		L.P. HOSE D. 6- 9	1,20			--
0022	MPVR27781		TANK CAP MTH D.10	1,00			--
0023	FTDT04648		FILTER PG. D.6 PLS	1,00			--
0024	MPVR27424		DETERGENT TANK MITHO PLUS	1,00			--
0025	PPAP40058		PUMP RR 15.20 DX N	1,00			--
0027	GUGO03502		O-RING D. 17.86 X 2.62 NBR 70SH	1,00			--
0028	PVVR40175		CAP AR RR C/F. 1/8F+OR	1,00			--
0030	MNMN18650		PRESSURE GAUGE 0-300 D.40	1,00			--
0031	RCDS25578		BUSHING IP WW141 OT.	1,00			--
0032	GUGO21339		O-RING D. 29.82 X 2.62 VIT 70SH	1,00			--
0033	MFVR21309		COUNTERFLANGE MEC 90-100-112	1,00			--
0034	MOTR40027		3PH MOTOR NRJ HP7.5 23-400/50C RR/K	1,00			--
0035	MPVR13033		SPACER SIC H90	2,00			--
0036	MPVR32493		CONTROL BOX N.ROY. DS ABS	1,00			--
0041	MPVR10083		TAIL PIECE OKA L=22	1,00			--
0042	GUGO23079		V-SEAL RING VA0014 13.5- 15.5	1,00			--
0043	MPVR10084		SWITCH KNOB O.K.A.	1,00			--
0044	GUGO33675		JOINT MOUSSE D. 4	0,65			--
0045	MPVR32494		BOX COVER N.ROY.DS ABS	1,00			--
0047	MEVR33994		CABLE FASTNER 4228 B D. 6- 18	1,00			--
0048	LAFN29444		CHASSIS ROYAL J.	1,00			--
0049	MPVR10079		FOOT SUPPORT N S.JET	1,00			--
0050	MPVR29447		SPACER D. 26-30 L=10 PVC	2,00			--
0051	VTRS09813		WASHER D.25	2,00			--
0052	RTRT40002		WHEEL D.260 3.00-4 D.25 S.PI.NY	2,00			--
0053	MPVR28995		GREY HUB CAP D. 110	2,00			--
0054	ABGO06511		VIBRATION DAMP.25X17- 1M6X18 55SH NBR	1,00			--
0055	MPVR27836		CONTROL COVER ELT	1,00			--



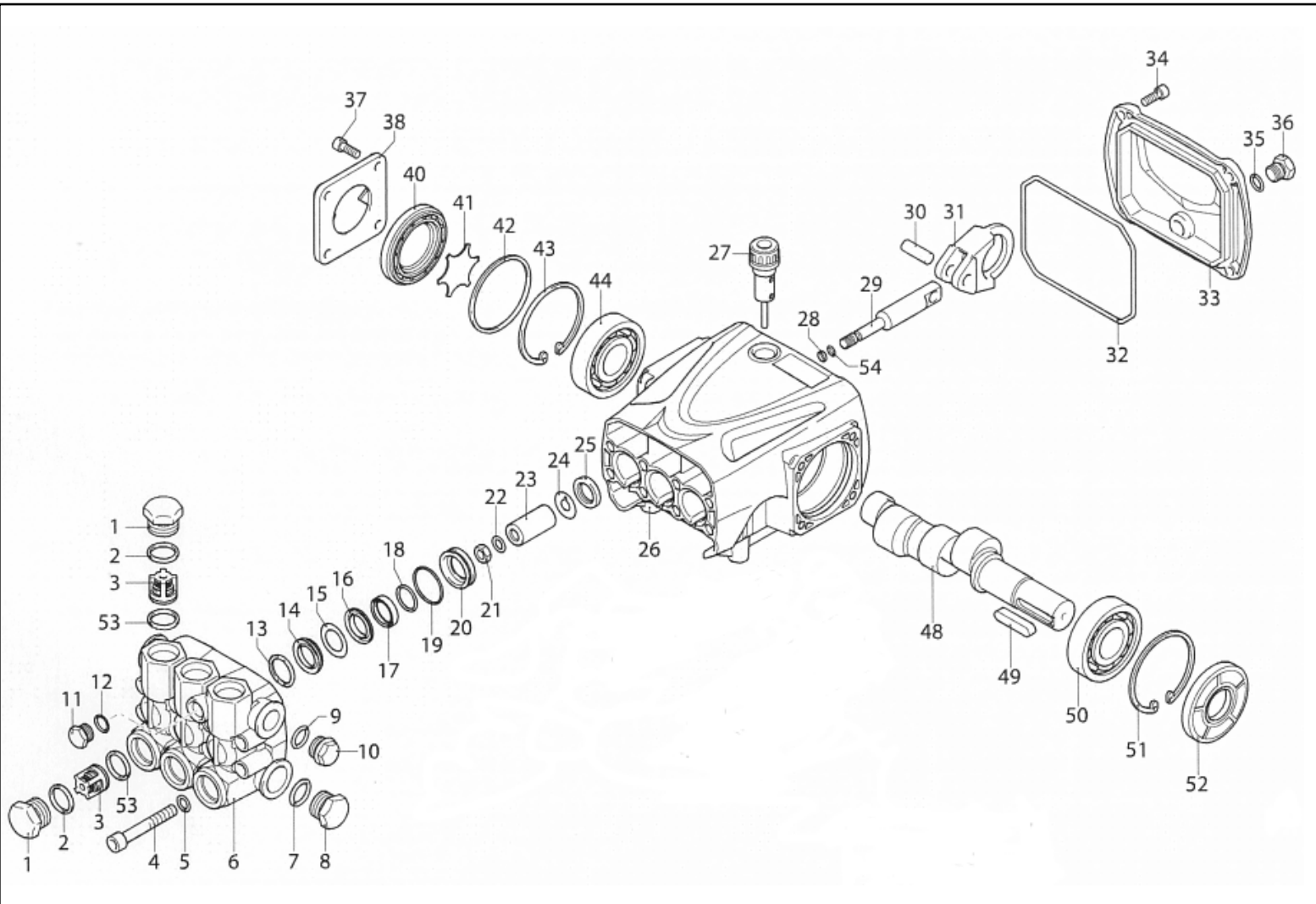
Ref. K	Part N.	Customer Part N.	Description	Qty	Validity:		Price
					From	To	
0056	MPVR27278		HANDLE ELITE	1,00			--
0057	MPVR31971		RED COVER N.ROYAL JET	1,00			--
0058	TBAP25324		H.P. HOSE R1 MT 10 5/16" C/2 IRV ZC	1,00			--
0059	IPIP40006		GRIP AL50 +AT.RAP.AR3-K +SW.M	1,00			--
0060	LCLC40004		LANCE SF-IX/PU 700 +AR3-K +1/4F	1,00			--
0060	LCLC40006		LANCE SF-IX/PU 700+AR3-K+TR1 F	1,00			--
0061	UGLN49987		NOZZLE LECH 1/4 15045	1,00			--
0064	GUGO21337		O-RING D. 25.07 X 2.62 VIT 70SH	1,00			--
0065	RCDS40096		SCREW G 3/8 L=48.5 INX	1,00			--



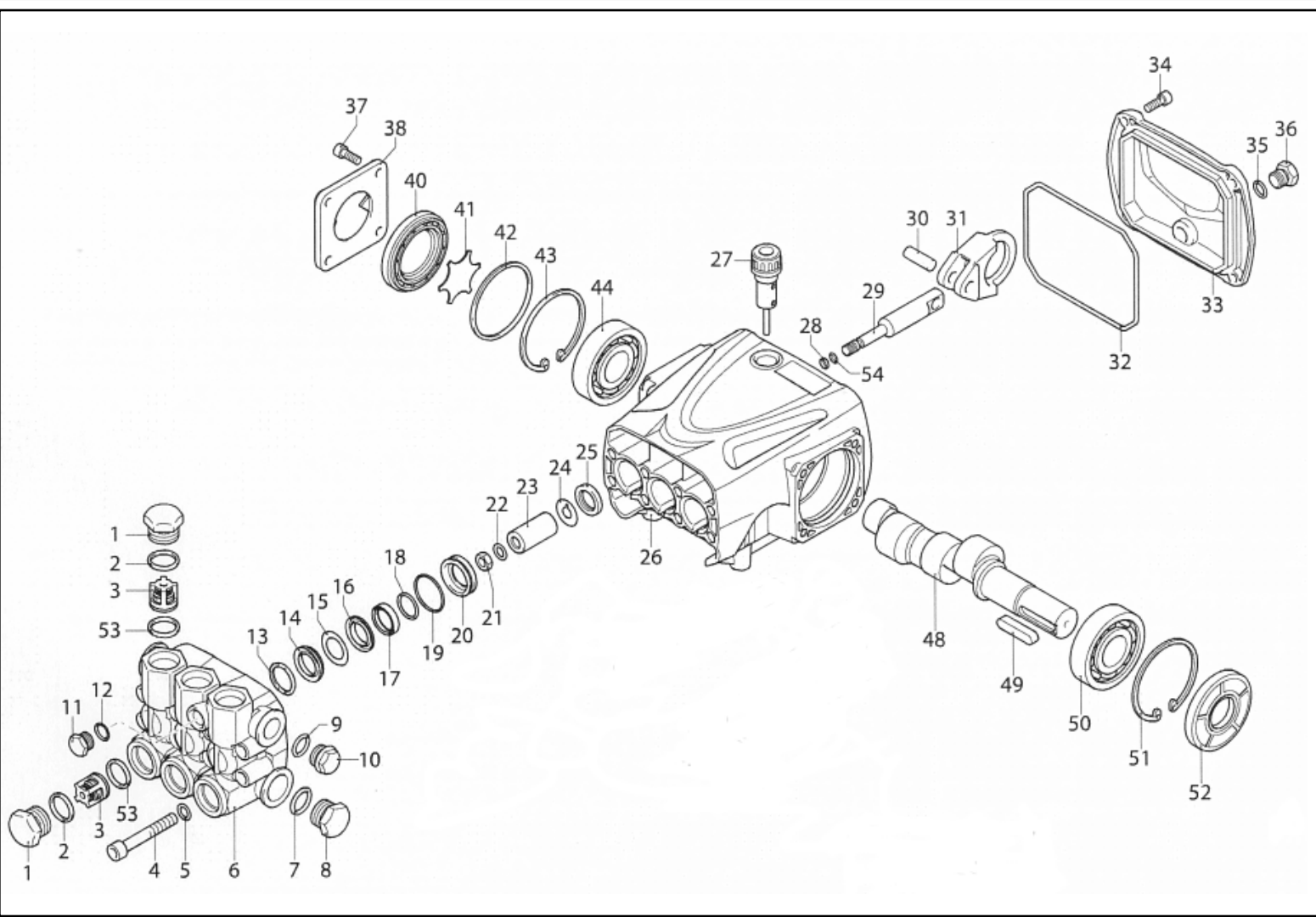
Ref.	K	Part N.	Customer Part N.	Description	Qty	Validity:		Price
						From	To	
K		METT40664		CONTACTOR SIE 3RT 1017 1AV01 400V	1,00			--
IG		MECI08294		SWITCH O.K.N. 10-16 A	1,00			--
P1		MEPF45229		PRESSURE SWITCHMTM 3/8M NA/NC 25B. MICRO	1,00			--
P2		MEPF39902		PRESSURE SWITCHMTM 1/4M NA/NC 25B. MICRO	1,00			--
TM		METY37439		TIMER THV/1S 380-415V 30S.5/60	1,00			--
CV1		MECB26015		CABLE 4X2.5 H07 RNF L=5.500	1,00			--



Ref.	K	Part N.	Customer Part N.	Description	Qty	Validity: From	To	Price
0001		PVVR40161		CAP AR RR	6,00			--
0002		GUGO03502		O-RING D. 17.86 X 2.62 NBR 70SH	6,00			--
0003	S	VVAM40003		VALVE UNIT RR	6,00			--
0004		VTVT63018		SCREW TCEI M 8X55 ZC U.5931	8,00			--
0005		VTRS00504		WASHER D. 8 TE ZC. UNI 6592	8,00			--
0006		MFVR40028		HEAD AR RR OT.	1,00			--
0007		GUGO19245		O-RING D. 17.5 X 2 NBR 70SH	1,00			--
0008		PVVR40121		CAP 1/2 M RC	1,00			--
0009		GUGO09720		O-RING D. 14 X 1.78 NBR 70SH	1,00			--
0010		PVVR40099		CAP 3/8 M HRM	1,00			--
0011		PVVR40129		CAP 3/8 M RC	1,00			--
0012		GUGO01036		O-RING D. 10.82 X 1.78 NBR 70SH	1,00			--
0013	S	PVVR40122		HEAD RING D. 18 RC	3,00			--
0014	S	GUVR40035		PACKING D. 18 RC H.P.	3,00			--
0015	S	GUVR40043		ANTI-EXTR.RING D.18X28	3,00			--
0016	S	PVVR40162		INTERMED. RING D. 18 RR	3,00			--
0017	S	GUVR40036		PACKING D. 18 RC L.P.	3,00			--
0018	S	GUVR40037		ANTI-EXTR.RING D.20	3,00			--
0019	S	GUGO19290		O-RING D. 23.52 X 1.78 NBR 70SH	3,00			--
0020	S	PVVR40163		PACKING RETAIN.D. 18 RR	3,00			--
0021		VTDD00483		NUT M 8 ZIN UNI 5588	3,00			--
0022		VTRS19394		WASHER D. 8X13X0.5	3,00			--
0023	S	PIVR40007		PISTON D.18 RR	3,00			--
0024		PVVR19233		DISC XTS	3,00			--
0025	S	GUGO09690		OIL SEAL 15X 24X 5 NBR70	3,00			--
0026		MFVR40030		PUMP CRANKCASE AR RR	1,00			--
0027		PVVR19231		OIL CAP XTS	1,00			--
0028		GUGO08071		O-RING D. 4.48 X 1.78 NBR 70SH	3,00			--
0029		PVVR40176		PISTON GUIDE RR	3,00			--
0030		PVVR40178		GUDGEON D. 9 RR	3,00			--
0031		BLVR40002		CONNECTING ROD RR	3,00			--
0032		GUGO40017		O-RING D. 107.62 X 2.62 NBR 70SH	1,00			--
0033		MFVR40029		CRANKCASE COVER AR RR	1,00			--
0034		VTVT09913		SCREW TCEI 6X16 UNI5931	4,00			--
0035		GUGO01036		O-RING D. 10.82 X 1.78 NBR 70SH	1,00			--
0036		PVVR40129		CAP 3/8 M RC	1,00			--
0037		VTVT09913		SCREW TCEI 6X16 UNI5931	4,00			--
0038		MFVR40021		CRANKCASE COVER AR RC LT.	1,00			--
0040		PVVR40179		OIL INDICATOR RR	1,00			--



Ref.	K	Part N.	Customer Part N.	Description	Qty	Validity:		Price
						From	To	
0041		PVVR40125		DISC RC	1,00			--
0042		GUGO09030		O-RING 56X82 X2.62 - NBR	1,00			--
0043		VTAE10405		CIRCLIP D. 62 UNI 7437	1,00			--
0044		CUVR09654		BALL BEARING 6305	1,00			--
0048		ALMO40012		SHAFT AR RR 15LT VRS. N	1,00			--
0049		VTVR41531		KEY 8X 7X35 UNI 6604A	1,00			--
0050		CUVR09654		BALL BEARING 6305	1,00			--
0051		VTAE10405		CIRCLIP D. 62 UNI 7437	1,00			--
0052	S	GUGO40018		OIL SEAL 25X 62X 8 NBR70	1,00			--
0053	S	GUGO02259		O-RING D. 15.54 X 2.62 NBR 70SH	6,00			--
0054		GUVR40044		ANTI-EXTR.RING D. 5 X 8 X1	3,00			--



Ref. Part N.	Cust. Part N.	Description	Reference	Price
KTRI40095	KIT P	15-2745 D.18 RC	0013	--
KTRI40142	KIT P	15-2864 RR	0003 0053	--
KTRI40143	KIT P	15-2746 D.18 RR	0023	--
KTRI40144	KIT P	15-42547 RR	0025 0052	--
KTRI40145	KIT P	15-42549 D.18 RR	0014 0015 0017 0018 0019	--
KTRI40146	KIT P	15-42548 D.18 RR	0016 0020	--